




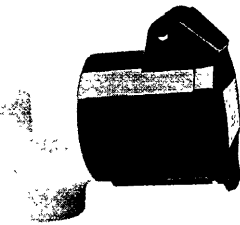
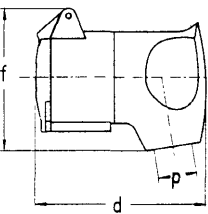
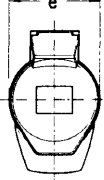

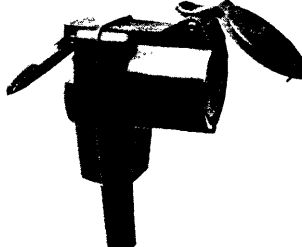
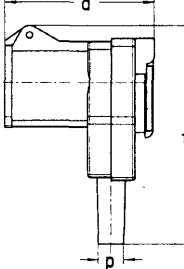
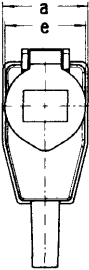

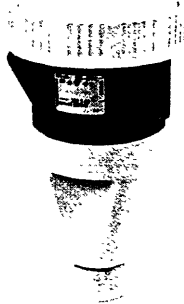
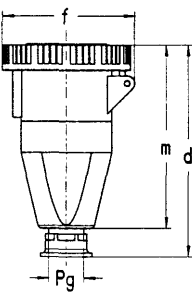
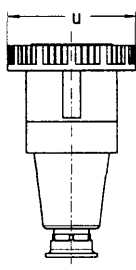




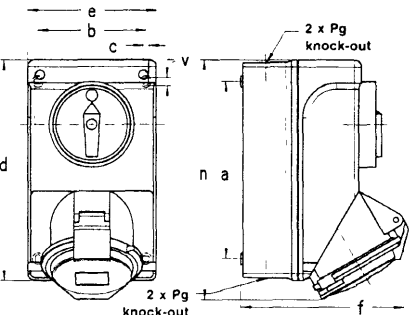



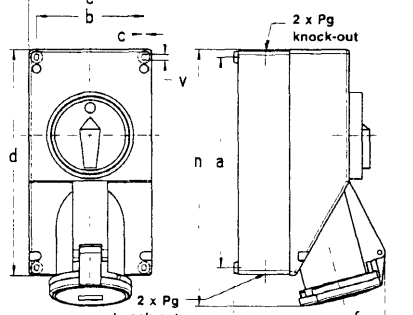


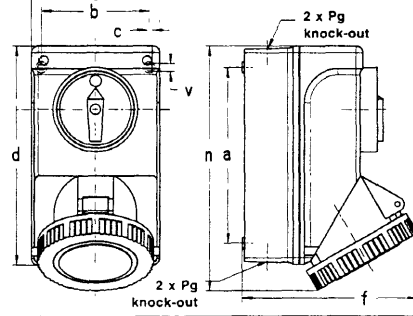



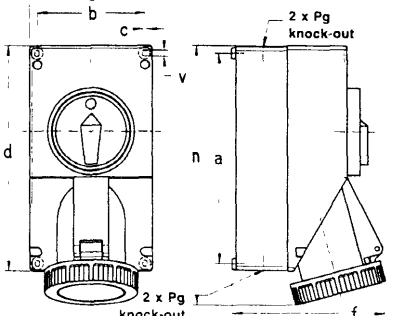


716 6321

| Amp | Volt | Hz | IP Ident. colour + h | Part No | Couplers | 2 P +  IEC/EN 60 309 |   | EAN No. 4015609... | | | | | | | | | | | | | | | | | | | | | | | | | | | | | | | |
|-------------------------------------------------------------------------------------|------|-------|-------------------------------|-----------------------------------------------------------------------------------|---------------------------------------------------------------------------------------------------------------------------------------------------------------------------------------------------------------------------------------------------------------------------------------------------------------------------------------------------------------------------------------------------------------------------------------------------------------------------------------------------------------------|------------------------------------------------------------------------------------------------------------|----------------------------------------------------------------------------------------------------------------------------------------------------------------------------|-----------------------|----------------------------|--------|---|---|---|---|------|------|------|----|------|-----|------|------|-----|----|-----|----|----|------|-----|-----|-----|-----|----|-------|-----|-----|-----|-----|----|
|  | | | |  | | | | | | | | | | | | | | | | | | | | | | | | | | | | | | | | | | | |
| | | | | | mondo angled coupler, RAL 7035 light grey | | | | | | | | | | | | | | | | | | | | | | | | | | | | | | | | | | |
| 16 | 230 | 50/60 | 6 | 316 306 |  |  |  | 10 138 | 016310 016303 016327 | | | | | | | | | | | | | | | | | | | | | | | | | | | | | | |
| | 110 | 50/60 | 4 | 316 304 | | | | | | | | | | | | | | | | | | | | | | | | | | | | | | | | | | | |
| | 400 | 50/60 | 9 | 316 309 | | | | | | | | | | | | | | | | | | | | | | | | | | | | | | | | | | | |
| | | | | | <table border="1"> <thead> <tr> <th>Ampère</th> <th>d</th> <th>e</th> <th>f</th> <th>p</th> </tr> </thead> <tbody> <tr> <td>16 A</td> <td>95</td> <td>50,3</td> <td>80</td> <td>8/13</td> </tr> </tbody> </table> | | | | | Ampère | d | e | f | p | 16 A | 95 | 50,3 | 80 | 8/13 | | | | | | | | | | | | | | | | | | | | |
| Ampère | d | e | f | p | | | | | | | | | | | | | | | | | | | | | | | | | | | | | | | | | | | |
| 16 A | 95 | 50,3 | 80 | 8/13 | | | | | | | | | | | | | | | | | | | | | | | | | | | | | | | | | | | |
|  | | | | angled coupler, with Schuko socket outlet on reverse side | | | | | | | | | | | | | | | | | | | | | | | | | | | | | | | | | | | |
| 16 | 230 | 50/60 | 6 | 317 306 |  |  |  | 10 152 | 016341 | | | | | | | | | | | | | | | | | | | | | | | | | | | | | | |
| | | | | | | | | | | | | | | | | | | | | | | | | | | | | | | | | | | | | | | | |
| | | | | | | | | | | | | | | | | | | | | | | | | | | | | | | | | | | | | | | | |
| | | | | | <table border="1"> <thead> <tr> <th>Ampère</th> <th>a</th> <th>d</th> <th>e</th> <th>f</th> <th>Øp</th> </tr> </thead> <tbody> <tr> <td>16 A</td> <td>54</td> <td>87</td> <td>49,5</td> <td>140</td> <td>7/13</td> </tr> </tbody> </table> | | | | | Ampère | a | d | e | f | Øp | 16 A | 54 | 87 | 49,5 | 140 | 7/13 | | | | | | | | | | | | | | | | | | |
| Ampère | a | d | e | f | Øp | | | | | | | | | | | | | | | | | | | | | | | | | | | | | | | | | | |
| 16 A | 54 | 87 | 49,5 | 140 | 7/13 | | | | | | | | | | | | | | | | | | | | | | | | | | | | | | | | | | |
|  | | | | gland entry | | | | | | | | | | | | | | | | | | | | | | | | | | | | | | | | | | | |
| 16 | 230 | 50/60 | 6 | 319 306 |  |  |  | 10 172 | 016372 016365 016389 | | | | | | | | | | | | | | | | | | | | | | | | | | | | | | |
| | 110 | 50/60 | 4 | 319 304 | | | | | | | | | | | | | | | | | | | | | | | | | | | | | | | | | | | |
| | 400 | 50/60 | 9 | 319 309 | | | | | | | | | | | | | | | | | | | | | | | | | | | | | | | | | | | |
| 32 | 230 | 50/60 | 6 | 339 306 | | | | 10 308 | 017294 017287 017300 | | | | | | | | | | | | | | | | | | | | | | | | | | | | | | |
| | 110 | 50/60 | 4 | 339 304 | | | | | | | | | | | | | | | | | | | | | | | | | | | | | | | | | | | |
| | 400 | 50/60 | 9 | 339 309 | | | | | | | | | | | | | | | | | | | | | | | | | | | | | | | | | | | |
| 63 | 230 | 50/60 | 6 | 369 306 | | | | 5 758 | 017874 017867 017881 | | | | | | | | | | | | | | | | | | | | | | | | | | | | | | |
| | 110 | 50/60 | 4 | 369 304 | | | | | | | | | | | | | | | | | | | | | | | | | | | | | | | | | | | |
| | 400 | 50/60 | 9 | 369 309 | | | | | | | | | | | | | | | | | | | | | | | | | | | | | | | | | | | |
| 125 | 230 | 50/60 | 6 | 379 306 | | | | 2 1362 | 018055 018048 160730 | | | | | | | | | | | | | | | | | | | | | | | | | | | | | | |
| | 110 | 50/60 | 4 | 379 304 | | | | | | | | | | | | | | | | | | | | | | | | | | | | | | | | | | | |
| | 400 | 50/60 | 9 | 379 309 | | | | | | | | | | | | | | | | | | | | | | | | | | | | | | | | | | | |
| | | | | | <table border="1"> <thead> <tr> <th>Ampere</th> <th>d</th> <th>f</th> <th>m</th> <th>u</th> <th>Pg</th> </tr> </thead> <tbody> <tr> <td>16 A</td> <td>136</td> <td>78</td> <td>121</td> <td>72</td> <td>13,5</td> </tr> <tr> <td>32 A</td> <td>170</td> <td>96</td> <td>149</td> <td>96</td> <td>21</td> </tr> <tr> <td>63 A</td> <td>255</td> <td>117</td> <td>206</td> <td>110</td> <td>36</td> </tr> <tr> <td>125 A</td> <td>332</td> <td>130</td> <td>275</td> <td>130</td> <td>48</td> </tr> </tbody> </table> | | | | | Ampere | d | f | m | u | Pg | 16 A | 136 | 78 | 121 | 72 | 13,5 | 32 A | 170 | 96 | 149 | 96 | 21 | 63 A | 255 | 117 | 206 | 110 | 36 | 125 A | 332 | 130 | 275 | 130 | 48 |
| Ampere | d | f | m | u | Pg | | | | | | | | | | | | | | | | | | | | | | | | | | | | | | | | | | |
| 16 A | 136 | 78 | 121 | 72 | 13,5 | | | | | | | | | | | | | | | | | | | | | | | | | | | | | | | | | | |
| 32 A | 170 | 96 | 149 | 96 | 21 | | | | | | | | | | | | | | | | | | | | | | | | | | | | | | | | | | |
| 63 A | 255 | 117 | 206 | 110 | 36 | | | | | | | | | | | | | | | | | | | | | | | | | | | | | | | | | | |
| 125 A | 332 | 130 | 275 | 130 | 48 | | | | | | | | | | | | | | | | | | | | | | | | | | | | | | | | | | |
| | | | | | with Multi Contact | | | | | | | | | | | | | | | | | | | | | | | | | | | | | | | | | | |

| Amp | Volt | Hz | IP Ident. colour + h | Part No. | Wall socket outlets with switch | 2 P +  | IEC/EN 60 309 |  g | EAN No. 4015609... | | | | | | | | | | | | | | | | | | | | | | | | | | | | | | | | |
|-------------------------------------------------------------------------------------|------|-------|-------------------------------|---------------------------------------------------------------------------------------------------------------------------------------------------------------------------------------------------------------------------------------------------------------------------------------------------------------------------------------------------------------------------------------------------------------------------------------------------------------------------------|-------------------------------------------------------------------------------------|-------------------------------------------------------------------------------------------|---------------|------------------------------------------------------------------------------------------|----------------------------|--------|---|---|---|---|---|---|---|---|----|------|-----|-----|-----|-----|-----|-----|-----|---|----|------|-----|----|-----|-----|-----|-----|-----|---|----|--|--|
|  | | | | with double interlocking, switch 2 poles | | | | | | | | | | | | | | | | | | | | | | | | | | | | | | | | | | | | | |
| 16 | 230 | 50/60 | 6 | 531 23 16 |  |  | | 1 | 039562 039555 039579 | | | | | | | | | | | | | | | | | | | | | | | | | | | | | | | | |
| | 110 | 50/60 | 4 | 531 23 14 | | | | | | | | | | | | | | | | | | | | | | | | | | | | | | | | | | | | | |
| | 400 | 50/60 | 9 | 531 23 19 | | | | | | | | | | | | | | | | | | | | | | | | | | | | | | | | | | | | | |
| 32 | 230 | 50/60 | 6 | 531 23 36 |  | | | 1 | 039609 039593 039616 | | | | | | | | | | | | | | | | | | | | | | | | | | | | | | | | |
| | 110 | 50/60 | 4 | 531 23 34 | | | | | | | | | | | | | | | | | | | | | | | | | | | | | | | | | | | | | |
| | 400 | 50/60 | 9 | 531 23 39 | | | | | | | | | | | | | | | | | | | | | | | | | | | | | | | | | | | | | |
| | | | | <table border="1"> <thead> <tr> <th>Ampère</th> <th>a</th> <th>b</th> <th>c</th> <th>d</th> <th>e</th> <th>f</th> <th>n</th> <th>v</th> <th>Pg</th> </tr> </thead> <tbody> <tr> <td>16 A</td> <td>127</td> <td>78</td> <td>4,5</td> <td>166</td> <td>97</td> <td>125</td> <td>185</td> <td>7</td> <td>16</td> </tr> <tr> <td>32 A</td> <td>154</td> <td>94</td> <td>4,5</td> <td>193</td> <td>113</td> <td>148</td> <td>215</td> <td>7</td> <td>21</td> </tr> </tbody> </table> | | | | | | Ampère | a | b | c | d | e | f | n | v | Pg | 16 A | 127 | 78 | 4,5 | 166 | 97 | 125 | 185 | 7 | 16 | 32 A | 154 | 94 | 4,5 | 193 | 113 | 148 | 215 | 7 | 21 | | |
| Ampère | a | b | c | d | e | f | n | v | Pg | | | | | | | | | | | | | | | | | | | | | | | | | | | | | | | | |
| 16 A | 127 | 78 | 4,5 | 166 | 97 | 125 | 185 | 7 | 16 | | | | | | | | | | | | | | | | | | | | | | | | | | | | | | | | |
| 32 A | 154 | 94 | 4,5 | 193 | 113 | 148 | 215 | 7 | 21 | | | | | | | | | | | | | | | | | | | | | | | | | | | | | | | | |
|  | | | | with double interlocking, switch 2 poles | | | | | | | | | | | | | | | | | | | | | | | | | | | | | | | | | | | | | |
| 63 | 230 | 50/60 | 6 | 531 23 66 |  |  | | 1 | 039630 039623 039647 | | | | | | | | | | | | | | | | | | | | | | | | | | | | | | | | |
| | 110 | 50/60 | 4 | 531 23 64 | | | | | | | | | | | | | | | | | | | | | | | | | | | | | | | | | | | | | |
| | 400 | 50/60 | 9 | 531 23 69 | | | | | | | | | | | | | | | | | | | | | | | | | | | | | | | | | | | | | |
| | | | | <table border="1"> <thead> <tr> <th>Ampère</th> <th>a</th> <th>b</th> <th>c</th> <th>d</th> <th>e</th> <th>f</th> <th>n</th> <th>v</th> <th>Pg</th> </tr> </thead> <tbody> <tr> <td>63 A</td> <td>245</td> <td>125</td> <td>5,2</td> <td>263</td> <td>143</td> <td>172</td> <td>293</td> <td>7</td> <td>29</td> </tr> </tbody> </table> | | | | | | Ampère | a | b | c | d | e | f | n | v | Pg | 63 A | 245 | 125 | 5,2 | 263 | 143 | 172 | 293 | 7 | 29 | | | | | | | | | | | | |
| Ampère | a | b | c | d | e | f | n | v | Pg | | | | | | | | | | | | | | | | | | | | | | | | | | | | | | | | |
| 63 A | 245 | 125 | 5,2 | 263 | 143 | 172 | 293 | 7 | 29 | | | | | | | | | | | | | | | | | | | | | | | | | | | | | | | | |
|  | | | | with double interlocking, switch 2 poles | | | | | | | | | | | | | | | | | | | | | | | | | | | | | | | | | | | | | |
| 16 | 230 | 50/60 | 6 | 531 33 16 |  |  | | 1 | 039944 133116 166251 | | | | | | | | | | | | | | | | | | | | | | | | | | | | | | | | |
| | 110 | 50/60 | 4 | 531 33 14 | | | | | | | | | | | | | | | | | | | | | | | | | | | | | | | | | | | | | |
| | 400 | 50/60 | 9 | 531 33 19 | | | | | | | | | | | | | | | | | | | | | | | | | | | | | | | | | | | | | |
| 32 | 230 | 50/60 | 6 | 531 33 36 |  | | | 1 | 134267 166268 166275 | | | | | | | | | | | | | | | | | | | | | | | | | | | | | | | | |
| | 110 | 50/60 | 4 | 531 33 34 | | | | | | | | | | | | | | | | | | | | | | | | | | | | | | | | | | | | | |
| | 400 | 50/60 | 9 | 531 33 39 | | | | | | | | | | | | | | | | | | | | | | | | | | | | | | | | | | | | | |
| | | | | <table border="1"> <thead> <tr> <th>Ampère</th> <th>a</th> <th>b</th> <th>c</th> <th>d</th> <th>e</th> <th>f</th> <th>n</th> <th>v</th> <th>Pg</th> </tr> </thead> <tbody> <tr> <td>16 A</td> <td>127</td> <td>78</td> <td>4,5</td> <td>166</td> <td>97</td> <td>132</td> <td>185</td> <td>7</td> <td>16</td> </tr> <tr> <td>32 A</td> <td>154</td> <td>94</td> <td>4,5</td> <td>193</td> <td>113</td> <td>154</td> <td>215</td> <td>7</td> <td>21</td> </tr> </tbody> </table> | | | | | | Ampère | a | b | c | d | e | f | n | v | Pg | 16 A | 127 | 78 | 4,5 | 166 | 97 | 132 | 185 | 7 | 16 | 32 A | 154 | 94 | 4,5 | 193 | 113 | 154 | 215 | 7 | 21 | | |
| Ampère | a | b | c | d | e | f | n | v | Pg | | | | | | | | | | | | | | | | | | | | | | | | | | | | | | | | |
| 16 A | 127 | 78 | 4,5 | 166 | 97 | 132 | 185 | 7 | 16 | | | | | | | | | | | | | | | | | | | | | | | | | | | | | | | | |
| 32 A | 154 | 94 | 4,5 | 193 | 113 | 154 | 215 | 7 | 21 | | | | | | | | | | | | | | | | | | | | | | | | | | | | | | | | |
|  | | | | with double interlocking, switch 2 poles | | | | | | | | | | | | | | | | | | | | | | | | | | | | | | | | | | | | | |
| 63 | 230 | 50/60 | 6 | 531 33 66 |  |  | | 1 | 174034 039951 166282 | | | | | | | | | | | | | | | | | | | | | | | | | | | | | | | | |
| | 110 | 50/60 | 4 | 531 33 64 | | | | | | | | | | | | | | | | | | | | | | | | | | | | | | | | | | | | | |
| | 400 | 50/60 | 9 | 531 33 69 | | | | | | | | | | | | | | | | | | | | | | | | | | | | | | | | | | | | | |
| | | | | <table border="1"> <thead> <tr> <th>Ampère</th> <th>a</th> <th>b</th> <th>c</th> <th>d</th> <th>e</th> <th>f</th> <th>n</th> <th>v</th> <th>Pg</th> </tr> </thead> <tbody> <tr> <td>63 A</td> <td>245</td> <td>125</td> <td>5,2</td> <td>265</td> <td>143</td> <td>180</td> <td>300</td> <td>7</td> <td>29</td> </tr> </tbody> </table> | | | | | | Ampère | a | b | c | d | e | f | n | v | Pg | 63 A | 245 | 125 | 5,2 | 265 | 143 | 180 | 300 | 7 | 29 | | | | | | | | | | | | |
| Ampère | a | b | c | d | e | f | n | v | Pg | | | | | | | | | | | | | | | | | | | | | | | | | | | | | | | | |
| 63 A | 245 | 125 | 5,2 | 265 | 143 | 180 | 300 | 7 | 29 | | | | | | | | | | | | | | | | | | | | | | | | | | | | | | | | |