

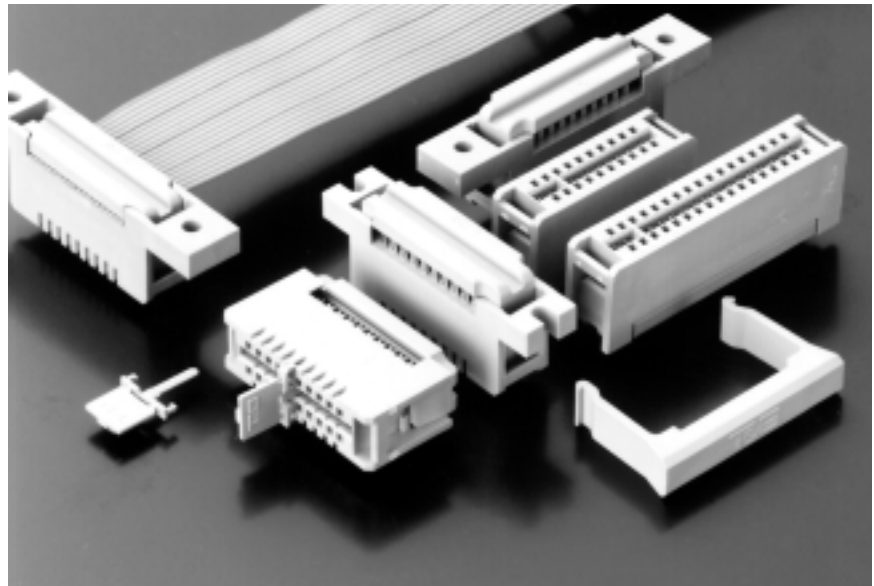
**PRODUCT DESCRIPTION**

The Cardedge Connectors are designed to provide a high-performance flat cable interface to double-sided printed circuit-boards. A variety of mounting options provide application versatility.

**DESIGN ADVANTAGES**

- 10 connector sizes—10, 16, 20, 26, 30, 34, 40, 44, 50 and 60 positions.
- Available in three mounting configurations: full mounting ears, half mounting ears, and no mounting ears.
- Contact Material—Beryllium copper with 30 micro inches min. gold plating over 50 micro inches min nickel plating.
- Bifurcated contact design offers two points of contact for electrical reliability; tolerates PC8 Pad variations.
- Withstands increased mating and unmating forces.
- Uniform wall thickness provides consistent contact force.
- Separate polarizing key available.
- Polarizing key locks securely into body of connector tabs.
- Strain relief available for cardedge connector with no mounting ears.

# CARDEDGE CONNECTORS 10 THROUGH 60 POSITIONS



**CARDEDGE INDEX**

Cardedge w/o mounting ears .....	59
Cardedge w/half mounting ears .....	60
Cardedge with mounting ears .....	61
Polarization Key .....	62

## CARDEDGE CONNECTOR WITHOUT MOUNTING EARS



### PHYSICAL PROPERTIES

**INSULATION MATERIAL:** Glass filled thermoplastic rated UL 94V-0

**COLOR:** Blue

**CONTACTS:** Beryllium copper; 30μ inches min. gold over 50μ inches nickel in contact zone; tin/lead over nickel in termination area.

### ELECTRICAL PROPERTIES

**CURRENT RATING:** 1 Amp

**INSULATION RESISTANCE:** >1 x 10<sup>9</sup> Ohms

**DIELECTRIC STRENGTH:** >1000 VRMS at sea level

### ENVIRONMENTAL PROPERTIES

**TEMPERATURE RATING:** -55°C TO 125°C

### APPLICATION TOOLING

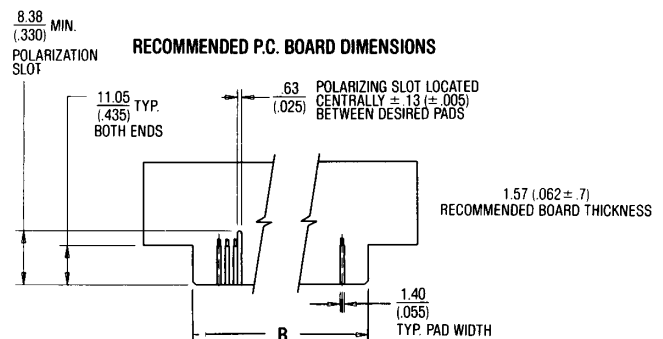
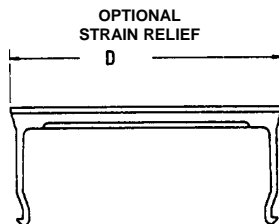
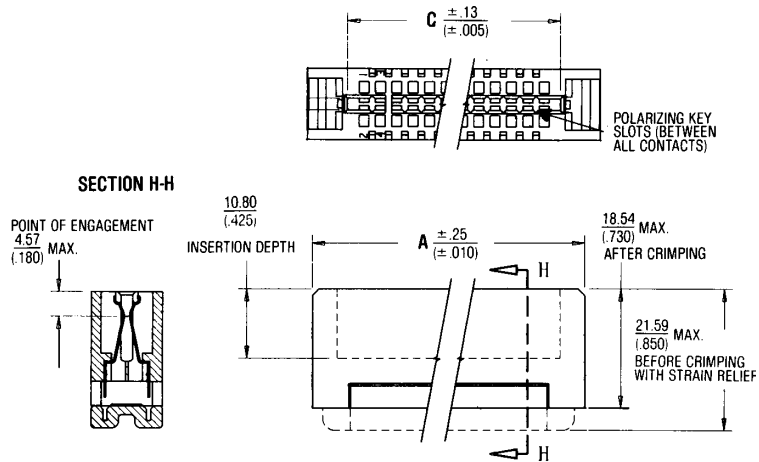
<b>HAND TOOL</b>	779-2100
use Die	779-2164
<b>BENCH PRESS (MANUAL)</b>	779-3200
use Platen	779-3130
use Base Plate	779-3164
<b>BENCH PRESS (PNEUMATIC)</b>	779-3500XT
use Platen	779-3130
use Base Plate	779-3164

### ACCESSORIES

**OPTIONAL POLARIZING KEY** 622-0005

### CABLE

See pages 116-128



### Ordering Information

CATALOG NUMBERS	NUMBER OF POSITIONS	DIMENSIONS IN MM(INCHES)			
		A	B	C	D
622-1015	10	24.38 (.960)	15.11 (.595)	15.37 (.605)	29.26 (1.152)
622-1615	16	32.00 (1.260)	22.73 (.895)	22.99 (.905)	36.88 (1.452)
622-2015	20	37.08 (1.460)	27.81 (1.095)	28.07 (1.105)	41.96 (1.652)
622-2615	26	44.70 (1.760)	35.43 (1.395)	35.69 (1.405)	49.58 (1.952)
622-3015	30	49.78 (1.960)	40.51 (1.595)	40.77 (1.605)	54.66 (2.152)
622-3415	34	54.86 (2.160)	45.59 (1.795)	45.85 (1.805)	59.74 (2.352)
622-4015	40	62.48 (2.460)	53.21 (2.095)	53.47 (2.105)	67.36 (2.652)
622-4415	44	67.56 (2.660)	58.29 (2.295)	58.55 (2.305)	72.44 (2.852)
622-5015	50	75.18 (2.960)	65.91 (2.595)	66.17 (2.605)	80.06 (3.152)
622-6015	60	87.88 (3.460)	78.61 (3.095)	78.87 (3.105)	92.76 (3.652)

**622-2015PK03-05** — 20-position Card Edge Connector with molded-in polarization between contacts 3 and 5  
**622-3415PK03-05** — 34-position Card Edge Connector with molded-in polarization between contacts 3 and 5

## CARDEDGE CONNECTOR WITH HALF MOUNTING EARS



### PHYSICAL PROPERTIES

**INSULATION MATERIAL:** Glass filled thermoplastic rated UL 94V-0

**COLOR:** Blue

**CONTACTS:** Beryllium copper; 30μ inches min. gold over 50μ inches nickel in contact zone; tin/lead over nickel in termination area.

### ELECTRICAL PROPERTIES

**CURRENT RATING:** 1 Amp

**INSULATION RESISTANCE:** >1 x 10<sup>9</sup> Ohms

**DIELECTRIC STRENGTH:** >1000 VRMS at sea level

### ENVIRONMENTAL PROPERTIES

**TEMPERATURE RATING:** -55°C TO 125°C

### APPLICATION TOOLING

**HAND TOOL** 779-2100

use Die 779-2164

**BENCH PRESS (MANUAL)** 779-3200

use Platen 779-3130

use Base Plate 779-3164

**BENCH PRESS (PNEUMATIC)** 779-3500XT

use Platen 779-3130

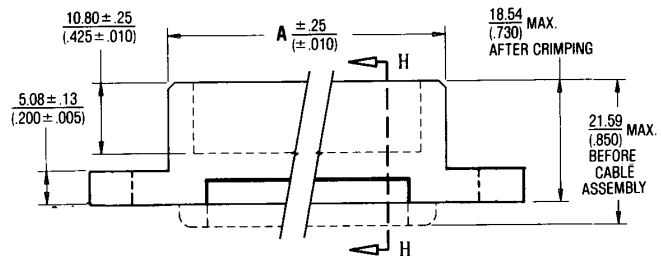
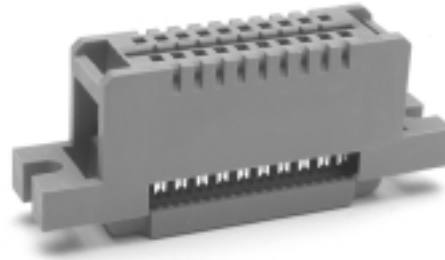
use Base Plate 779-3164

### ACCESSORIES

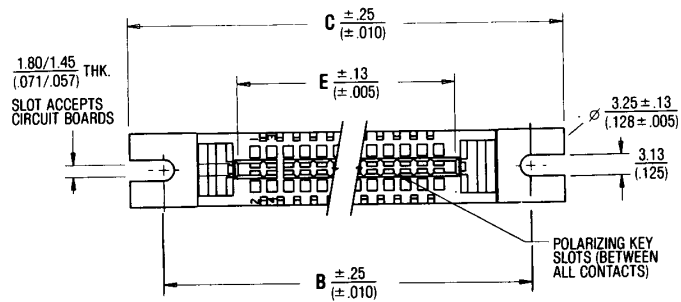
**OPTIONAL POLARIZING KEY** 622-0005

### CABLE

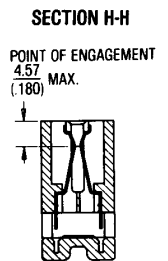
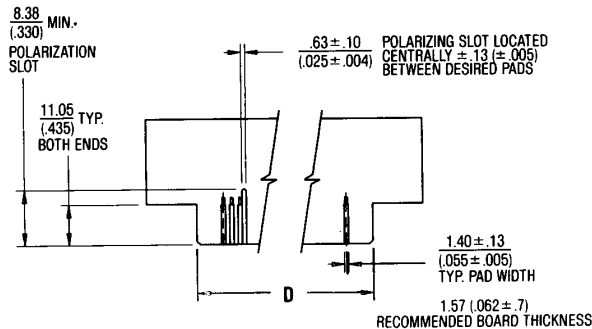
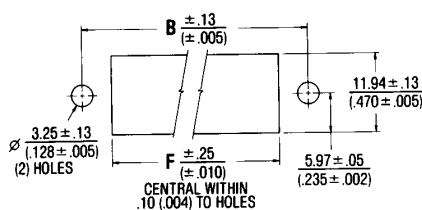
See pages 116-128



### RECOMMENDED P.C. BOARD DIMENSIONS



### RECOMMENDED PANEL CUTOUT DIMENSIONS



### Ordering Information

CATALOG NUMBERS	NUMBER OF POSITIONS	DIMENSIONS IN MM(INCHES)					
		A	B	C	D	E	F
622-1025	10	24.38 (.960)	33.02 (1.300)	38.01(1.500)	15.11 (.595)	15.37 (.605)	25.12 (.989)
622-1625	16	32.00 (1.260)	40.64 (1.600)	45.72 (1.800)	22.73 (.895)	22.99 (.905)	32.74 (1.289)
622-2025	20	37.08 (1.460)	45.72 (1.800)	50.80 (2.000)	27.81 (1.095)	28.07 (1.105)	37.82 (1.489)
622-2625	26	44.70 (1.760)	53.34 (2.100)	58.42 (2.300)	35.43 (1.395)	35.69 (1.405)	45.44 (1.789)
622-3025	30	49.78 (1.960)	58.42 (2.300)	63.50 (2.500)	40.51 (1.595)	40.77 (1.605)	50.52 (1.989)
622-3425	34	54.86 (2.160)	63.50 (2.500)	68.58 (2.700)	45.59 (1.795)	45.85 (1.805)	55.60 (2.189)
622-4025	40	62.48 (2.460)	71.12 (2.800)	76.20 (3.000)	53.21 (2.095)	53.47 (2.105)	63.22 (2.489)
622-4425	44	67.56 (2.660)	76.20 (3.000)	81.28 (3.200)	58.29 (2.295)	58.55 (2.305)	68.30 (2.889)
622-5025	50	75.18 (2.960)	83.82 (3.300)	88.90 (3.500)	65.91 (2.595)	66.17 (2.605)	75.92 (2.989)
622-6025	60	87.88 (3.460)	96.52 (3.800)	101.60 (4.000)	78.61 (3.095)	78.87 (3.105)	88.62 (3.489)

## CARDEDGE CONNECTOR WITH FULL MOUNTING EARS



### PHYSICAL PROPERTIES

**INSULATION MATERIAL:** Glass filled thermoplastic rated UL 94V-0  
**COLOR:** Blue  
**CONTACTS:** Beryllium copper; 30μ inches min. gold over 50μ inches nickel in contact zone; tin/lead over nickel in termination area.

### ELECTRICAL PROPERTIES

**CURRENT RATING:** 1 Amp  
**INSULATION RESISTANCE:** >1 x 10<sup>9</sup> Ohms  
**DIELECTRIC STRENGTH:** >1000 VRMS at sea level

### ENVIRONMENTAL PROPERTIES

**TEMPERATURE RATING:** -55°C TO 125°C

### APPLICATION TOOLING

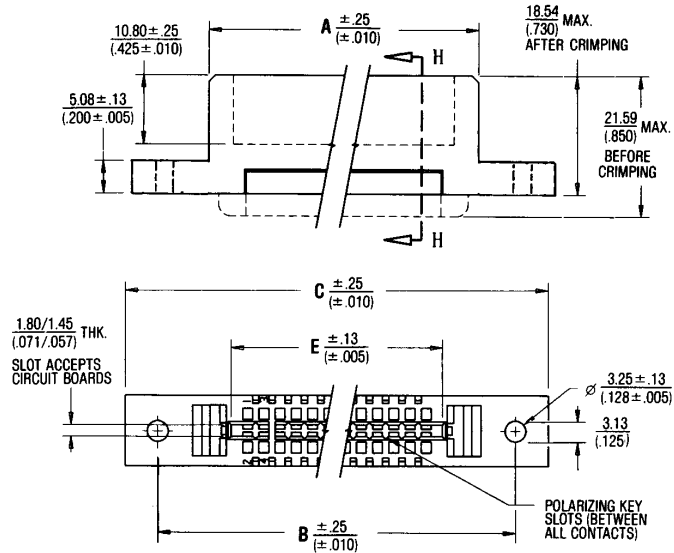
- HAND TOOL** 779-2100  
use Die 779-2164
- BENCH PRESS (MANUAL)** 779-3200  
use Platen 779-3130  
use Base Plate 779-3164
- BENCH PRESS (PNEUMATIC)** 779-3500XT  
use Platen 779-3130  
use Base Plate 779-3164

### ACCESSORIES

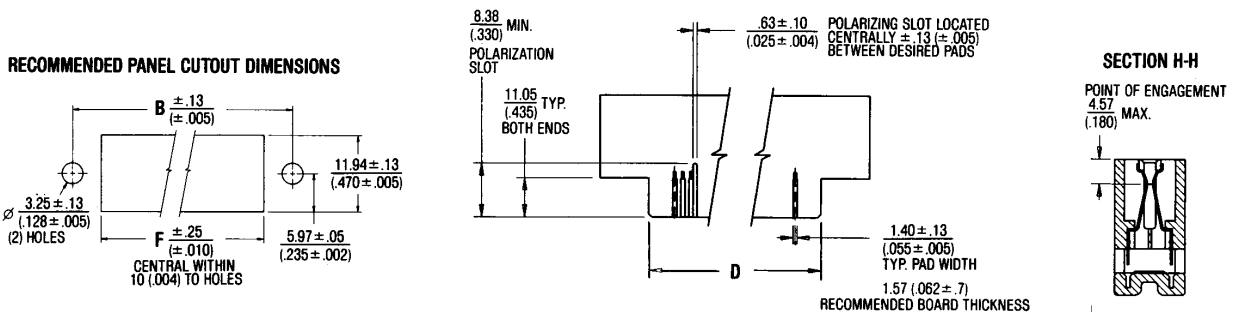
- OPTIONAL POLARIZING KEY** 622-0005

### CABLE

See pages 116-128



### RECOMMENDED P.C. BOARD DIMENSIONS



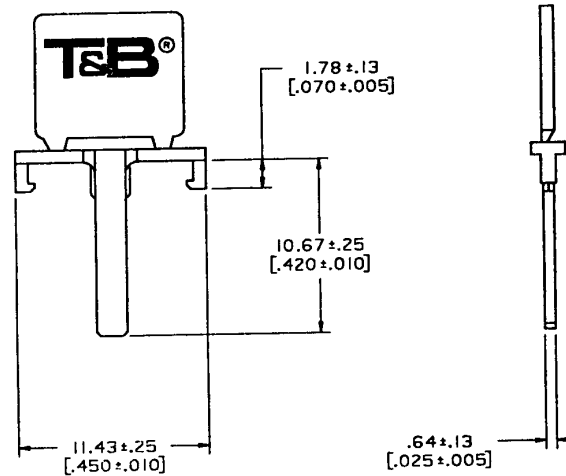
### Ordering Information

CATALOG NUMBERS	NUMBER OF POSITIONS	DIMENSIONS IN MM(INCHES)					
		A	B	C	D	E	F
622-1005	10	24.38 (.960)	35.56 (1.400)	47.24 (1.860)	15.11 (.595)	15.37 (.605)	25.12 (.989)
622-1605	16	32.00 (1.260)	43.18 (1.700)	54.86 (2.160)	22.73 (.895)	22.99 (.905)	32.74 (1.289)
622-2005	20	37.08 (1.460)	48.26 (1.900)	59.94 (2.360)	27.81 (1.095)	28.07 (1.105)	37.82 (1.489)
622-2605	26	44.70 (1.760)	55.88 (2.200)	67.56 (2.660)	35.43 (1.395)	35.69 (1.405)	45.44 (1.789)
622-3005	30	49.78 (1.960)	60.96 (2.400)	72.64 (2.860)	40.51 (1.595)	40.77 (1.605)	50.52 (1.989)
622-3405	34	54.86 (2.160)	66.04 (2.600)	77.72 (3.060)	45.59 (1.795)	45.85 (1.805)	55.60 (2.189)
622-4005	40	62.48 (2.460)	73.66 (2.900)	85.34 (3.360)	53.21 (2.095)	53.47 (2.105)	63.22 (2.489)
622-4405	44	67.56 (2.660)	78.74 (3.100)	90.42 (3.560)	58.29 (2.295)	58.55 (2.305)	68.30 (2.889)
622-5005	50	75.18 (2.960)	86.36 (3.400)	98.04 (3.860)	65.91 (2.595)	66.17 (2.605)	75.92 (2.989)
622-6005	60	87.88 (3.460)	99.06 (3.900)	110.74 (4.360)	78.61 (3.095)	78.87 (3.105)	88.62 (3.489)

# ACCESSORIES

## POLARIZING KEY ORDERING INFORMATION

CATALOG NO.	PERFORMANCE	COLOR
622-0005	High	Blue
636-0005	Limited	Black



## STRAIN RELIEF ORDERING INFORMATION

NO. OF POS.	CAT # (BLACK)	CAT # (BLUE)
10	636-1035	622-1035
16	636-1635	622-1635
20	636-2035	622-2035
26	636-2635	622-2635
30	636-3035	622-3035
34	636-3435	622-3435
40	636-4035	622-4035
50	636-5035	622-5035
60	636-6035	622-6035