

# Dialight



*LED Panel Indicators  
600 Series Selector Guide*



# 600 SERIES LED PANEL MOUNT INDICATORS

## FEATURES / BENEFITS

- ▲ RoHS Compliant
- ▲ Long Life - typically 100K hours
- ▲ Low power consumption - uses up to 90% less energy than an incandescent indicator
- ▲ No heat generated
- ▲ Colors include red, green and yellow
- ▲ Front panel mounting
- ▲ LED can be recessed or protrude from housing

Page 1: 605 Series  
606 Series

Page 2: 607 Series

Page 3: 608 Series

Page 4: 609 Series

Page 5: 610 Series  
612 Series  
616 Series

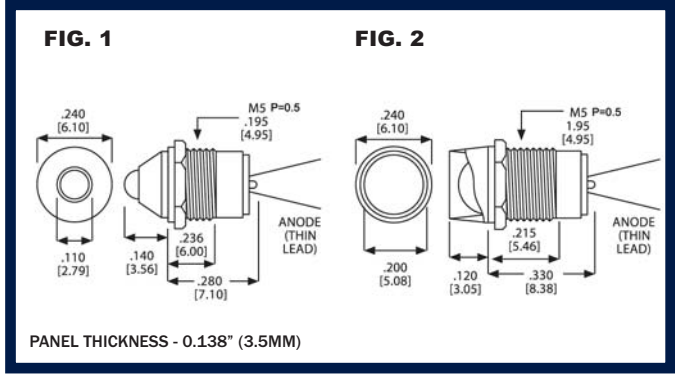


NOTE: Dimensions in inches [mm]  
All measurements are typical

	Series	Mounting Hole Size	Available Colors	Operating Requirements	Mounting Style (All Front Mounting)	Operating Temperature	Storage Temperature	Termination
	605	5 mm (0.196")	<ul style="list-style-type: none"> <li>● Red</li> <li>● Green</li> <li>● Yellow</li> </ul>	2 VDC	Nut and Washer	-25°C to+85°C	-25°C to+100°C	Leads
	606	6 mm (0.236")	<ul style="list-style-type: none"> <li>● Red</li> <li>● Green</li> <li>● Yellow</li> <li>● R/G Bi-color</li> </ul>	2, 6, 12 VDC	Nut and Washer	-25°C to+85°C	-25°C to+100°C	Leads
	607	7 mm (0.276")	<ul style="list-style-type: none"> <li>● Red</li> <li>● Green</li> <li>● Yellow</li> </ul>	2, 6, 12 VDC	Nut and Washer	-25°C to+85°C	-25°C to+85°C	Solder
	608	8 mm (0.315")	<ul style="list-style-type: none"> <li>● Red</li> <li>● Green</li> <li>● Yellow</li> </ul>	2, 6, 12, 24 VDC	Nut and Washer or Snap-In	-25°C to+85°C	-25°C to+85°C	Leads or Solder
	609	9 mm (0.354")	<ul style="list-style-type: none"> <li>● Red</li> <li>● Green</li> <li>● Yellow</li> </ul>	6, 12, 24 VDC	Nut and Washer	-25°C to+85°C	-25°C to+100°C	Solder
	610	10 mm (0.394")	<ul style="list-style-type: none"> <li>● Red</li> <li>● Green</li> <li>● Yellow</li> </ul>	6 VDC	Nut and Washer	-25°C to+85°C	-25°C to+100°C	Solder
	612	12 mm (0.492")	<ul style="list-style-type: none"> <li>● Red</li> <li>● Green</li> <li>● Yellow</li> </ul>	6, 12, 24 VDC	Nut and Washer	-25°C to+85°C	-25°C to+100°C	Solder
	616	16 mm (0.642")	<ul style="list-style-type: none"> <li>● Red</li> <li>● Green</li> <li>● Yellow</li> </ul>	6, 12, 24 VDC	Nut and Washer	-25°C to+85°C	-25°C to+100°C	Solder

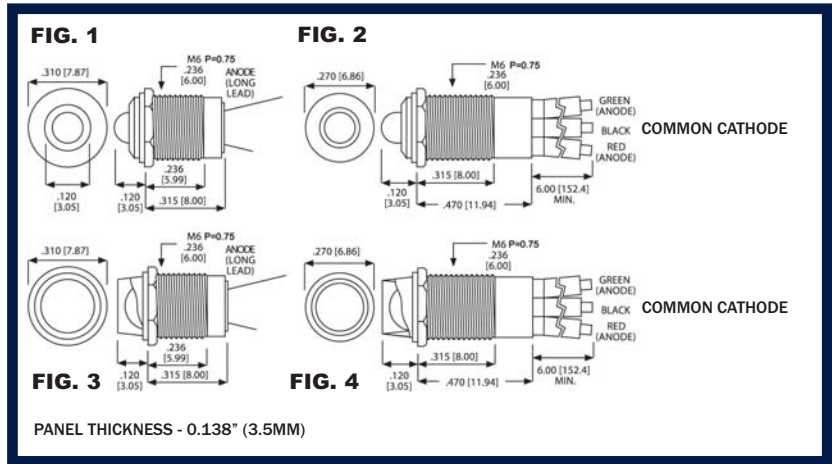
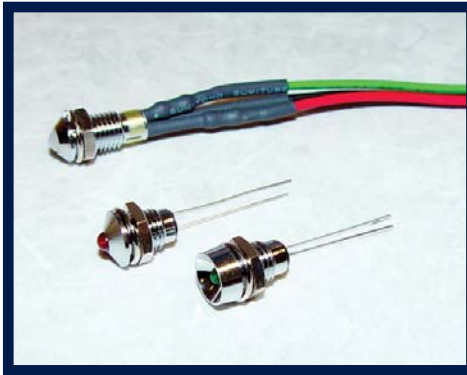
Dialight reserves the right to make changes at anytime in order to supply the best product possible. Contact us directly for the latest information.

## 605 SERIES (FOR 5MM MOUNTING HOLE)



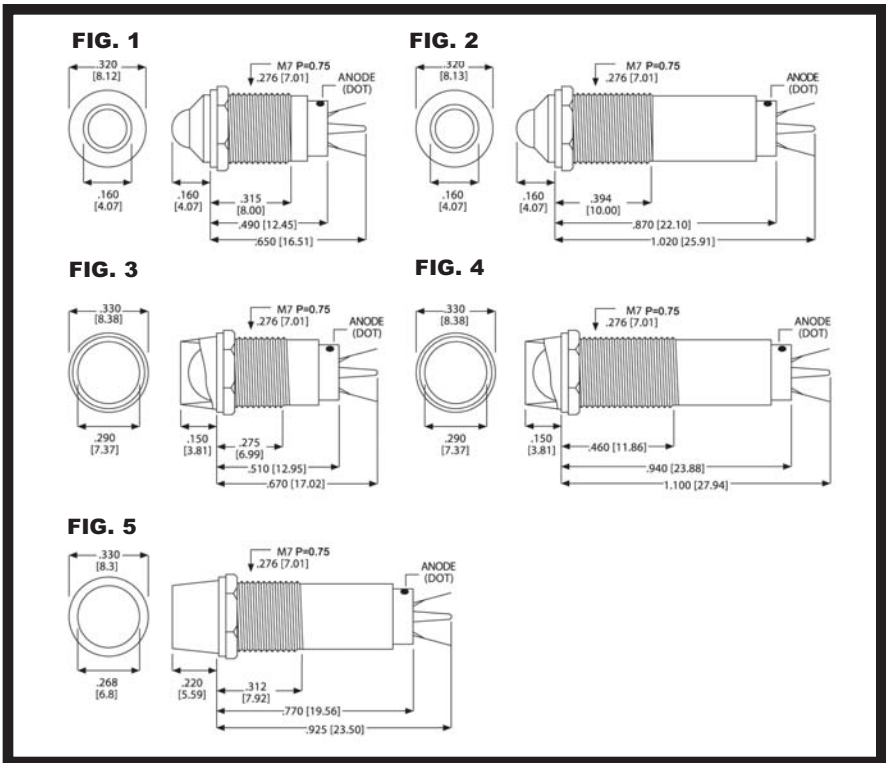
DIALIGHT P/N	EMITTED COLOR	VOLTAGE (VDC)	CURRENT (mA)	TYP. INTENSITY (mcd)	LED POSITIONS	FINISH	FIGURE
605-1111-110F	Red	2	15	37	Protruding	Chrome	1
605-1211-110F	Green	2	15	16	Protruding	Chrome	1
605-1311-110F	Yellow	2	15	30	Protruding	Chrome	1
605-2111-110F	Red	2	15	37	Recess	Chrome	2
605-2211-110F	Green	2	15	16	Recess	Chrome	2
605-2311-110F	Yellow	2	15	30	Recess	Chrome	2

## 606 SERIES (FOR 6MM MOUNTING HOLE)



DIALIGHT P/N	EMITTED COLOR	VOLTAGE (VDC)	CURRENT (mA)	TYP. INTENSITY (mcd)	LED POSITIONS	FINISH	FIGURE
606-1111-110F	Red	2	5	8	Protruding	Chrome	1
606-1211-110F	Green	2	15	30	Protruding	Chrome	1
606-1311-110F	Yellow	2	15	30	Protruding	Chrome	1
606-1415-110F	Red	2	10	35	Protruding	Chrome	2
	Green	2	10	18			
606-1415-120F	Red	6	10	35	Protruding	Chrome	2
	Green	6	10	18			
606-1415-130F	Red	12	10	35	Protruding	Chrome	2
	Green	12	10	18			
606-2111-110F	Red	2	5	8	Recess	Chrome	3
606-2211-110F	Green	2	15	30	Recess	Chrome	3
606-2311-110F	Yellow	2	15	30	Recess	Chrome	3
606-2415-110F	Red	2	10	35	Recess	Chrome	4
	Green	2	10	18			
606-2415-120F	Red	6	10	35	Recess	Chrome	4
	Green	6	10	18			
606-2415-130F	Red	12	10	35	Recess	Chrome	4
	Green	12	10	18			

# 607 SERIES (FOR 7MM MOUNTING HOLE)

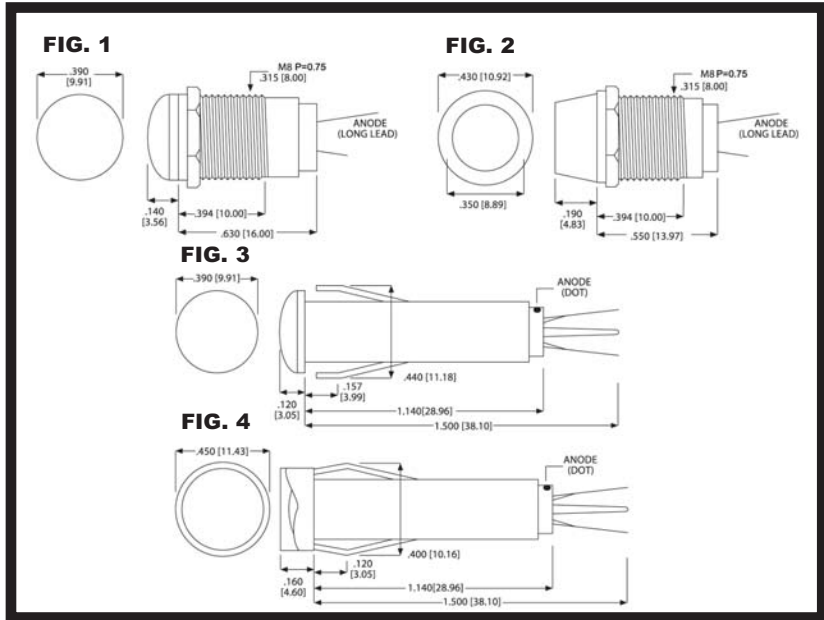


DIALIGHT P/N	EMITTED COLOR	VOLTAGE (VDC)	CURRENT (mA)	TYP. INTENSITY (mcd)	LED POSITIONS	FINISH	FIGURE	PANEL THICKNESS
607-1112-110F	Red	2	15	22	Protruding	Chrome	1	0.138 inches (3.5mm)
607-1212-110F	Green	2	15	50	Protruding	Chrome	1	
607-1312-110F	Yellow	2	15	66	Protruding	Chrome	1	
607-1112-120F	Red	6	15	22	Protruding	Chrome	2	0.236 inches (6mm)
607-1212-120F	Green	6	15	50	Protruding	Chrome	2	
607-1312-120F	Yellow	6	15	66	Protruding	Chrome	2	
607-1112-130F	Red	12	15	22	Protruding	Chrome	2	
607-1212-130F	Green	12	15	50	Protruding	Chrome	2	
607-1312-130F	Yellow	12	15	66	Protruding	Chrome	2	
607-2112-110F	Red	2	15	22	Recess	Chrome	3	0.138 inches (3.5mm)
607-2212-110F	Green	2	15	50	Recess	Chrome	3	
607-2312-110F	Yellow	2	15	66	Recess	Chrome	3	
607-2112-120F	Red	6	15	22	Recess	Chrome	4	0.236 inches (6mm)
607-2212-120F	Green	6	15	50	Recess	Chrome	4	
607-2312-120F	Yellow	6	15	66	Recess	Chrome	4	
607-2112-130F	Red	12	15	22	Recess	Chrome	4	
607-2212-130F	Green	12	15	50	Recess	Chrome	4	
607-2312-130F	Yellow	12	15	66	Recess	Chrome	4	
607-3132-120F	Red	6	15	20	Internal	Polycarbonate*	5	0.236 inches (6mm)
607-3232-120F	Green	6	15	45	Internal	Polycarbonate*	5	
607-3332-120F	Yellow	6	15	60	Internal	Polycarbonate*	5	
607-3132-130F	Red	12	15	20	Internal	Polycarbonate*	5	
607-3232-130F	Green	12	15	45	Internal	Polycarbonate*	5	
607-3332-130F	Yellow	12	15	60	Internal	Polycarbonate*	5	

\* Match emitting color

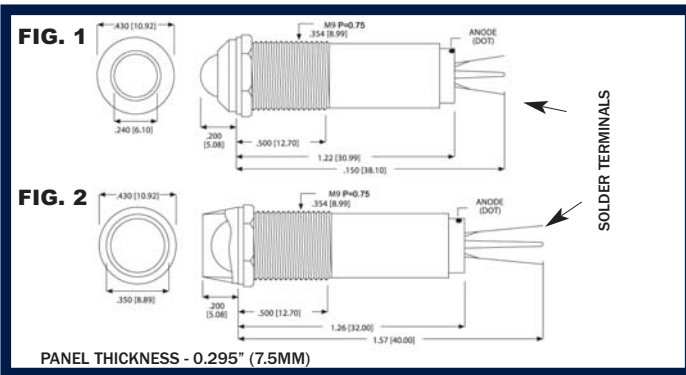






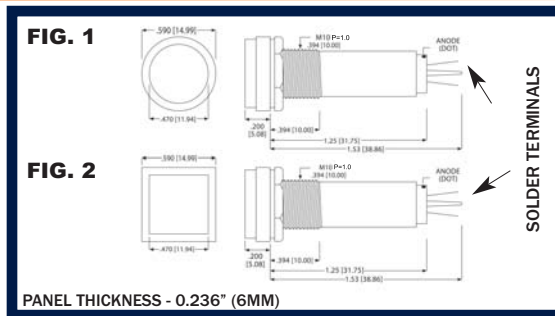
DIALIGHT P/N	EMITTED COLOR	VOLTAGE (VDC)	CURRENT (mA)	TYP. INTENSITY (mcd)	FIGURE	PANEL THICKNESS
<b>Lock washer &amp; nut</b>						
608-1131-110F	Red	2	15	20	1	0.236 inches (6 mm)
608-1231-110F	Green	2	15	15	1	
608-1331-110F	Yellow	2	15	4	1	
608-3131-110F	Red	2	15	20	2	
608-3231-110F	Green	2	15	15	2	
608-3331-110F	Yellow	2	15	4	2	
<b>Snap-fit</b>						
608-1132-220F	Red	6	15	60	3	0.197 inches (5 mm)
608-1132-230F	Red	12	15	60	3	
608-1132-240F	Red	24	15	60	3	
608-1232-220F	Green	6	15	110	3	
608-1232-230F	Green	12	15	110	3	
608-1232-240F	Green	24	15	110	3	
608-1332-220F	Yellow	6	15	90	3	
608-1332-230F	Yellow	12	15	90	3	
608-1332-240F	Yellow	24	15	90	3	
608-2132-220F	Red	6	15	60	4	
608-2132-230F	Red	12	15	60	4	
608-2132-240F	Red	24	15	60	4	
608-2232-220F	Green	6	15	110	4	
608-2232-230F	Green	12	15	110	4	
608-2232-240F	Green	24	15	110	4	
608-2332-220F	Yellow	6	15	90	4	
608-2332-230F	Yellow	12	15	90	4	
608-2332-240F	Yellow	24	15	90	4	

# 609 SERIES (FOR 9MM MOUNTING HOLE)



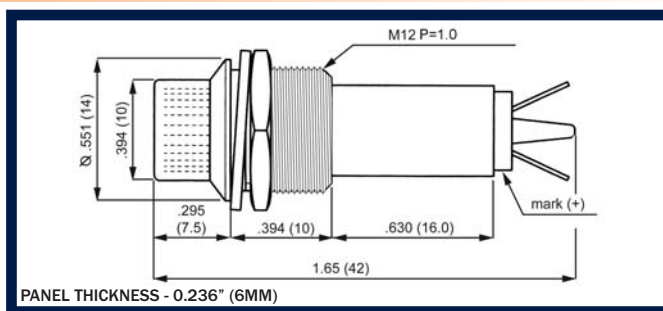
DIALIGHT P/N	EMITTED COLOR	VOLTAGE (VDC)	CURRENT (mA)	TYP. INTENSITY (mcd)	LED POSITIONS	FIGURE	FINISH
609-1112-120F	Red	6	15	60	Protruding	1	Chrome
609-1122-120F	Red	6	15	60	Protruding	1	Black
609-1212-120F	Green	6	15	110	Protruding	1	Chrome
609-1222-120F	Green	6	15	110	Protruding	1	Black
609-1312-120F	Yellow	6	15	90	Protruding	1	Chrome
609-1322-120F	Yellow	6	15	90	Protruding	1	Black
609-1112-130F	Red	12	15	60	Protruding	1	Chrome
609-1122-130F	Red	12	15	60	Protruding	1	Black
609-1212-130F	Green	12	15	110	Protruding	1	Chrome
609-1222-130F	Green	12	15	110	Protruding	1	Black
609-1312-130F	Yellow	12	15	90	Protruding	1	Chrome
609-1322-130F	Yellow	12	15	90	Protruding	1	Black
609-1112-140F	Red	24	15	60	Protruding	1	Chrome
609-1122-140F	Red	24	15	60	Protruding	1	Black
609-1212-140F	Green	24	15	110	Protruding	1	Chrome
609-1222-140F	Green	24	15	110	Protruding	1	Black
609-1312-140F	Yellow	24	15	90	Protruding	1	Chrome
609-1322-140F	Yellow	24	15	90	Protruding	1	Black
609-2112-120F	Red	6	15	60	Recessed	2	Chrome
609-2122-120F	Red	6	15	60	Recessed	2	Black
609-2212-120F	Green	6	15	110	Recessed	2	Chrome
609-2222-120F	Green	6	15	110	Recessed	2	Black
609-2312-120F	Yellow	6	15	90	Recessed	2	Chrome
609-2322-120F	Yellow	6	15	90	Recessed	2	Black
609-2112-130F	Red	12	15	60	Recessed	2	Chrome
609-2122-130F	Red	12	15	60	Recessed	2	Black
609-2212-130F	Green	12	15	110	Recessed	2	Chrome
609-2222-130F	Green	12	15	110	Recessed	2	Black
609-2312-130F	Yellow	12	15	90	Recessed	2	Chrome
609-2322-130F	Yellow	12	15	90	Recessed	2	Black
609-2112-140F	Red	24	15	60	Recessed	2	Chrome
609-2122-140F	Red	24	15	60	Recessed	2	Black
609-2212-140F	Green	24	15	110	Recessed	2	Chrome
609-2222-140F	Green	24	15	110	Recessed	2	Black
609-2312-140F	Yellow	24	15	90	Recessed	2	Chrome
609-2322-140F	Yellow	24	15	90	Recessed	2	Black

## 610 SERIES (FOR 10MM MOUNTING HOLE)



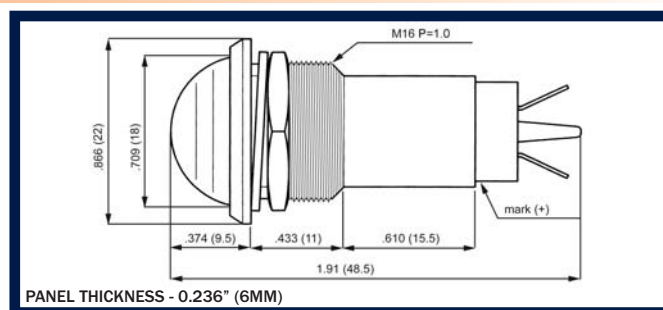
DIALIGHT P/N	EMITTED COLOR	VOLTAGE (VDC)	CURRENT (mA)	TYP. INTENSITY (mcd)	LENS SHAPE	HOUSING	FIGURE
610-3132-120F	Red	6	15	60	Round	Polycarbonate	1
610-3232-120F	Green	6	15	110	Round	Polycarbonate	1
610-3332-120F	Yellow	6	15	90	Round	Polycarbonate	1
610-4132-120F	Red	6	15	60	Square	Polycarbonate	2
610-4232-120F	Green	6	15	110	Square	Polycarbonate	2
610-4332-120F	Yellow	6	15	90	Square	Polycarbonate	2

## 612 SERIES (FOR 12MM MOUNTING HOLE)



DIALIGHT P/N	EMITTED COLOR	VOLTAGE (VDC)	CURRENT (mA)	TYP. INTENSITY (mcd)
612-3132-120F	Red	6	15	60
612-3232-120F	Green	6	15	110
612-3332-120F	Yellow	6	15	90
612-3132-130F	Red	12	15	60
612-3232-130F	Green	12	15	110
612-3332-130F	Yellow	12	15	90
612-3132-140F	Red	24	15	60
612-3232-140F	Green	24	15	110
612-3332-140F	Yellow	24	15	90

## 616 SERIES (FOR 16MM MOUNTING HOLE)



DIALIGHT P/N	EMITTED COLOR	VOLTAGE (VDC)	CURRENT (mA)	TYP. INTENSITY (mcd)
616-1132-120F	Red	6	15	60
616-1232-120F	Green	6	15	110
616-1332-120F	Yellow	6	15	90
616-1132-130F	Red	12	15	60
616-1232-130F	Green	12	15	110
616-1332-130F	Yellow	12	15	90
616-1132-140F	Red	24	15	60
616-1232-140F	Green	24	15	110
616-1332-140F	Yellow	24	15	90

# Dialight

*Dialight Corporate Office*  
1501 Rt 34 South  
Farmingdale, NJ 07727 USA  
Tel: +1.732.919.3119  
Fax: +1.732.751.5778  
Email: [info@dialight.com](mailto:info@dialight.com)



## **PRELIMINARY**

Dialight reserves the right to make changes at any time in order to supply the best product possible. Contact us directly for the latest information.