

# UMS-7001 SERIES



## ◆ FEATURE

- (1) 128\*64 DOTS
- (2) 1/64 DUTY CYCLE.
- (3) C.O.B ASSEMBLY.

液晶之友 电话: 020-33819057  
[Http://www.lcdfriends.com](http://www.lcdfriends.com)

## ◆ PIN TABLE

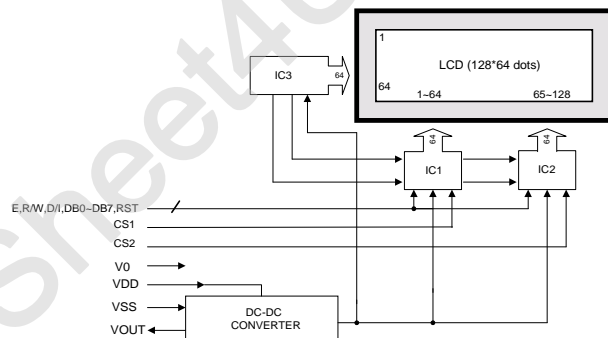
PIN NO.	SYMBOL
1	VSS
2	VDD
3	V0
4	D/I
5	R/W
6	E
7	DB0
8	DB1
9	DB2
10	DB3
11	DB4
12	DB5
13	DB6
14	DB7
15	CS1
16	CS2
17	RST
18	VOUT
19	NC
20	NC

## ◆ ELECTRICAL CHARACTERISTICS

VSS=0V, AT 25°C

ITEMS	SYMBOL	MIN.	TYP.	MAX.	UNIT
SUPPLY VOLTAGE (LOGIC)	VDD-VSS	4.5	5.0	5.5	V
SUPPLY VOLTAGE (LCD)	VDD-V0	12.2	12.8	13.4	V
INPUT HIGH LEVEL VOLTAGE	VIH	0.7VDD	-	VDD	V
INPUT LOW LEVEL VOLTAGE	VIL	VSS	-	0.3VDD	V
OUTPUT HIGH LEVEL VOLTAGE	VOH	VDD-0.4	-	-	V
OUTPUT LOW LEVEL VOLTAGE	VOL	-	-	0.4	V
OSC FREQUENCY	FOSC	315	450	585	KHZ
POWER SUPPLY CURRENT	IDD	-	-	14.2	mA

## ◆ BLOCK DIAGRAM



## ◆ OUTLINE DIMENSION

