

◆ FEATURE

- (1) 240*64 DOTS
- (2) 1/64 DUTY CYCLE.
- (3) C.O.B ASSEMBLY.

液晶之友 电话: 020-33819057
[Http://www.lcdfriends.com](http://www.lcdfriends.com)

◆ PIN TABLE

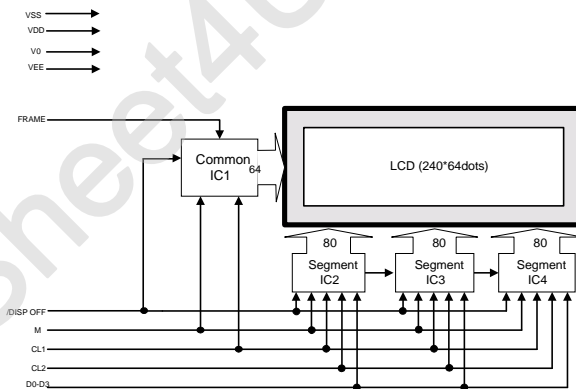
PIN NO.	SYMBOL
1	D3
2	D2
3	D1
4	D0
5	FRAME
6	M
7	CL1
8	CL2
9	DISP OFF
10	VDD
11	VSS
12	VEE
13	VO
14	NC

◆ ELECTRICAL CHARACTERISTICS

VSS=0V, AT 25°C

ITEMS	SYMBOL	MIN.	TYP.	MAX.	UNIT
SUPPLY VOLTAGE (LOGIC)	VDD-VSS	4.5	5.0	5.5	V
SUPPLY VOLTAGE (LCD)	VDD-VO	12.4	13.7	16.9	V
INPUT HIGH LEVEL VOLTAGE	VIH	0.8VDD	-	-	V
INPUT LOW LEVEL VOLTAGE	VIL	-	-	0.2VDD	V
OUTPUT HIGH LEVEL VOLTAGE	VOH	VDD-0.4	-	-	V
OUTPUT LOW LEVEL VOLTAGE	VOL	-	-	0.4	V
POWER SUPPLY CURRENT	IDD	-	-	9.0	mA
LCD POWER SUPPLY CURRENT	IEE	-	-	8.0	mA

◆ BLOCK DIAGRAM



◆ OUTLINE DIMENSION

