

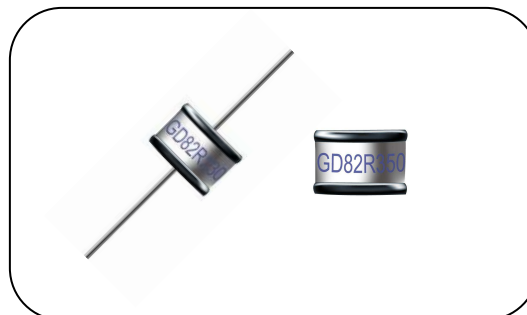
Gas Discharge Tube: GD8-H Series



2-Electrode $\Phi 8.0 \times T6$ mm High Surge

■ Features

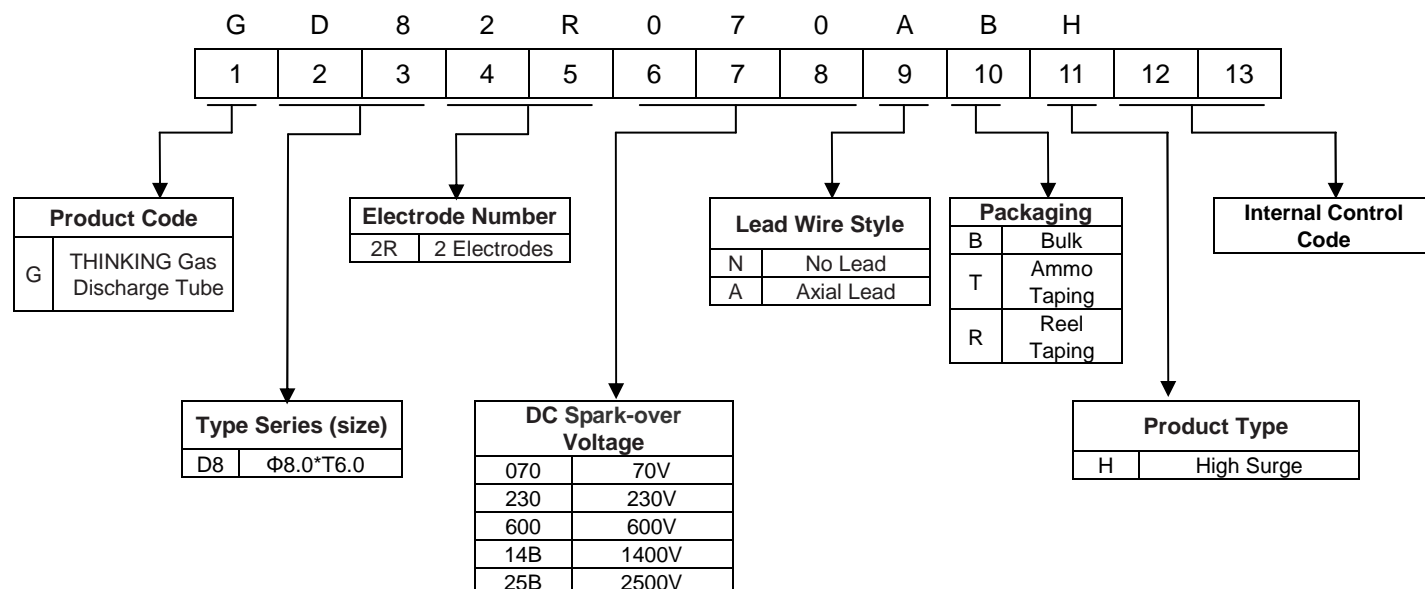
1. RoHS compliant
2. Rugged ceramic-metal construction
3. Available with or without Leads
4. DC spark-over voltage: 70V ~470V
5. Low capacitance
6. High transient current capability
7. Agency recognition: UL/cUL



■ Recommended Applications

1. Data transmission lines
2. Communication lines
3. CATV system
4. Power distribution system
5. Power supplier
6. Test equipment
7. Instrumentation circuits

■ Part Number Code



Gas Discharge Tube: GD8-H Series



2-Electrode $\Phi 8.0 \times T6$ mm High Surge

■ Characteristics

Type	DC Breakdown Voltage	Max. Impulse Breakdown Voltage		Impulse Discharge Current (8/20 μ s)		Impulse Life (10/1000 μ s)	Normal Alternating Discharge Current		DC Holdover voltage	Minimum Insulation Resistance	Maximum Capacitance (1MHz)	Safety approvals
	(100V/S)	100V/ μ s	1KV/ μ s	1 time	10 times	100A	50Hz, 1Sec	Single 9 Cycles	<150ms			
	(V)	(V)	(V)	(KA)		Times	(A)		(V)			
GD82R070□□H	70 \pm 20%	500	600	20	15	500	20	65	52	10	1.5	√
GD82R075□□H	75 \pm 20%	500	600						52			√
GD82R090□□H	90 \pm 20%	500	600						52			√
GD82R120□□H	120 \pm 15%	500	700						52			√
GD82R130□□H	130 \pm 15%	500	700						52			√
GD82R145□□H	145 \pm 15%	500	700						52			√
GD82R180□□H	180 \pm 15%	500	700						80			√
GD82R230□□H	230 \pm 15%	500	700						80			√
GD82R250□□H	250 \pm 15%	500	700						80			√
GD82R300□□H	300 \pm 15%	700	900						150			√
GD82R350□□H	350 \pm 15%	700	900						150			√
GD82R400□□H	400 \pm 15%	800	1000						150			√
GD82R470□□H	470 \pm 15%	900	1100						150			√

Note1: The first □ is the style of lead wire, and the second □ is packaging.

Note2: H = High Surge Series

Note3: UL / 497B → File No. E245070

Note 4: Insulation resistance test conditions:

DC Breakdown Voltage	DC Measuring Voltage
70-90V	50V
120-400V	100V
470-600V	250V

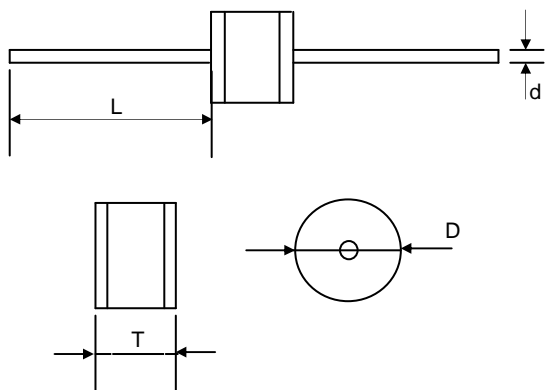
Gas Discharge Tube: GD8-H Series



2-Electrode $\Phi 8.0 \times T6$ mm High Surge

■ Dimensions

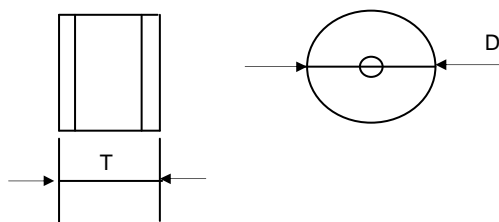
□ = A (Axial lead type)



Unit: mm

Item	Dimensions	
	Spec.	Tolerance
D	8.0	+0.3/-0.5
T	6.0	+0.3/-0.5
L	20	Min.
d	1.0	± 0.05

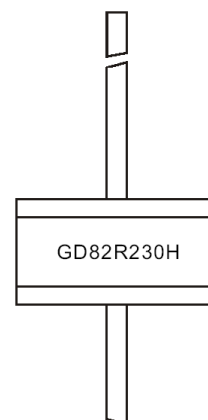
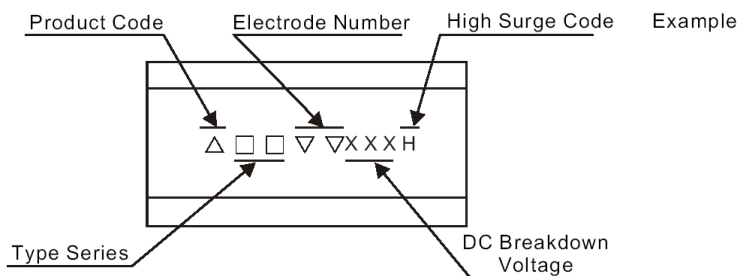
□ = N (No lead type)



Unit: mm

Item	Dimensions	
	Spec.	Tolerance
D	8.0	+0.3/-0.5
T	6.0	+0.3/-0.5

■ Marking



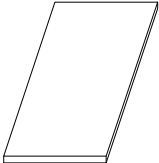
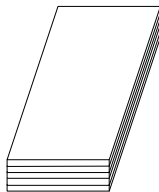
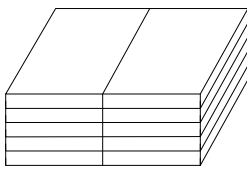
Gas Discharge Tube: GD8-H Series



2-Electrode $\Phi 8.0$ *T6 mm High Surge

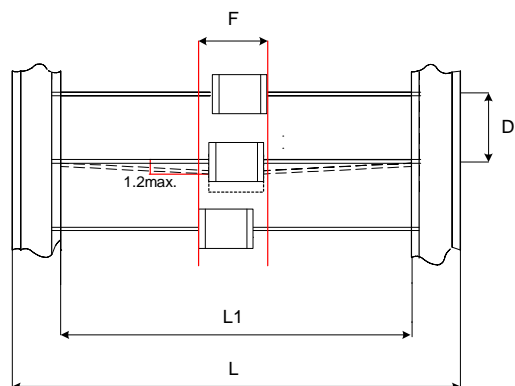
■ Packaging

● Bulk

Plastic Tray (263×144×6mm)	Inner Box (270×145×50mm)	Outside Box (320×305×280mm)
		
100 PCS/ Plastic Tray	500 PCS/box	5000 PCS/carton

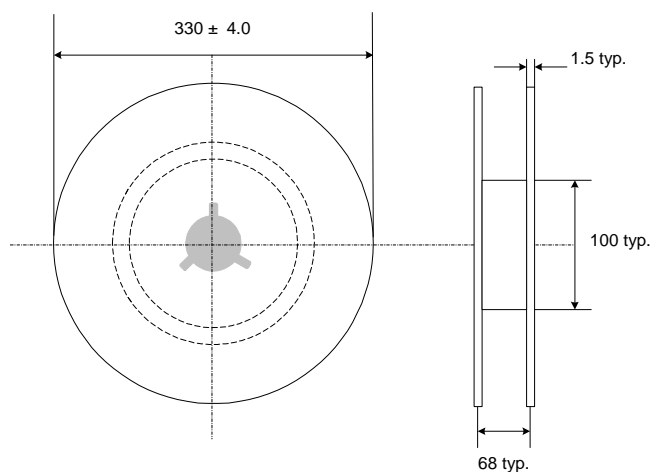
● Taping

For 2-electrode axial lead GDT



Unit: mm

Item	Dimensions	
	Spec.	Tolerance
L1	52	± 2
L	64	± 3
D	10	± 0.5
F	T of Gas Tube + 1.4	Max.



Gas Discharge Tube: GD8-H Series



2-Electrode $\Phi 8.0$ *T6 mm High Surge

■ Storage Conditions of GDT

(I) Storage conditions:

1. Storage Temperature: $-10^{\circ}\text{C} \sim +40^{\circ}\text{C}$.
2. Relative humidity: $\leq 75\% \text{RH}$.
3. Gas discharge tube must be kept away from sunlight and stored in a non-corrosive atmosphere.

(II) Shelf life: 1 year.