

Radar Pulsed Power Transistor, 8.5W, 100μs Pulse, 10% Duty 2.7 - 2.9 GHz

PH2729-8.5M

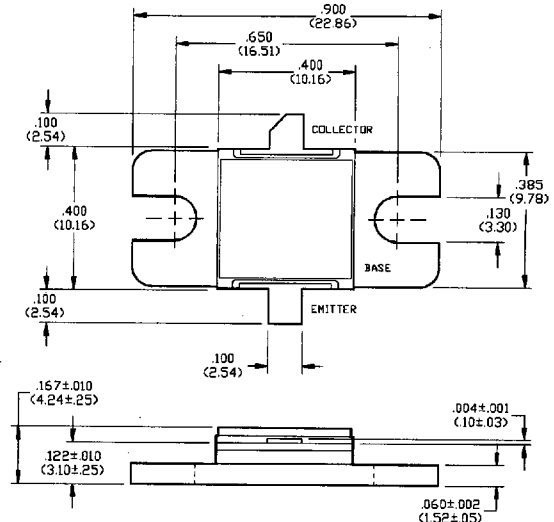
V2.00

Features

- NPN Silicon Microwave Power Transistor
- Common Base Configuration
- Broadband Class C Operation
- High Efficiency Interdigitated Geometry
- Diffused Emitter Ballasting Resistors
- Gold Metalization System
- Internal Input and Output Impedance Matching
- Hermetic Metal/Ceramic Package

Absolute Maximum Ratings at 25°C

Parameter	Symbol	Rating	Units
Collector-Emitter Voltage	V_{CES}	65	V
Emitter-Base Voltage	V_{EBO}	3.0	V
Collector Current (Peak)	I_C	1.8	A
Total Power Dissipation	P_{TOT}	65	W
Junction Temperature	T_J	200	°C
Storage Temperature	T_{STG}	-65 to +200	°C



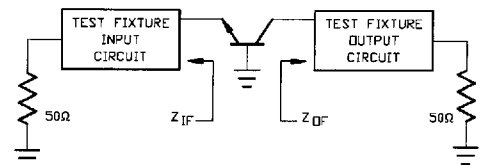
UNLESS OTHERWISE NOTED, TOLERANCES ARE INCHES ±.005* (MILLIMETERS ±.13MM)

Electrical Characteristics at 25°C

Parameter	Symbol	Min	Max	Units	Test Conditions
Collector-Emitter Breakdown Voltage	BV_{CES}	65	-	V	$I_C=10$ mA
Collector-Emitter Leakage Current	I_{CES}	-	1.5	mA	$V_{CE}=40$ V
Thermal Resistance	$R_{TH(JC)}$	-	2.2	°C/W	$V_{CC}=36$ V, $P_{IN}=1.3$ W, $F=2.7, 2.8, 2.9$ GHz
Output Power	P_{OUT}	8.5	-	W	$V_{CC}=36$ V, $P_{IN}=1.3$ W, $F=2.7, 2.8, 2.9$ GHz
Power Gain	G_P	8.1	-	dB	$V_{CC}=36$ V, $P_{IN}=1.3$ W, $F=2.7, 2.8, 2.9$ GHz
Collector Efficiency	η_C	35	-	%	$V_{CC}=36$ V, $P_{IN}=1.3$ W, $F=2.7, 2.8, 2.9$ GHz
Input Return Loss	RL	6	-	dB	$V_{CC}=36$ V, $P_{IN}=1.3$ W, $F=2.7, 2.8, 2.9$ GHz
Load Mismatch Tolerance	VSWR-T	-	3:1	-	$V_{CC}=36$ V, $P_{IN}=1.3$ W, $F=2.7, 2.8, 2.9$ GHz
Load Mismatch Stability	VSWR-S	-	1.5:1	-	$V_{CC}=36$ V, $P_{IN}=1.3$ W, $F=2.7, 2.8, 2.9$ GHz

Broadband Test Fixture Impedances

F(GHz)	$Z_{in}(\Omega)$	$Z_{out}(\Omega)$
2.70	40 - j12	25 + j3.5
2.80	38 - j14	20 + j2.0
2.90	35 - j16	16 + j2.4



Specifications Subject to Change Without Notice.

9-208

M/A-COM, Inc.

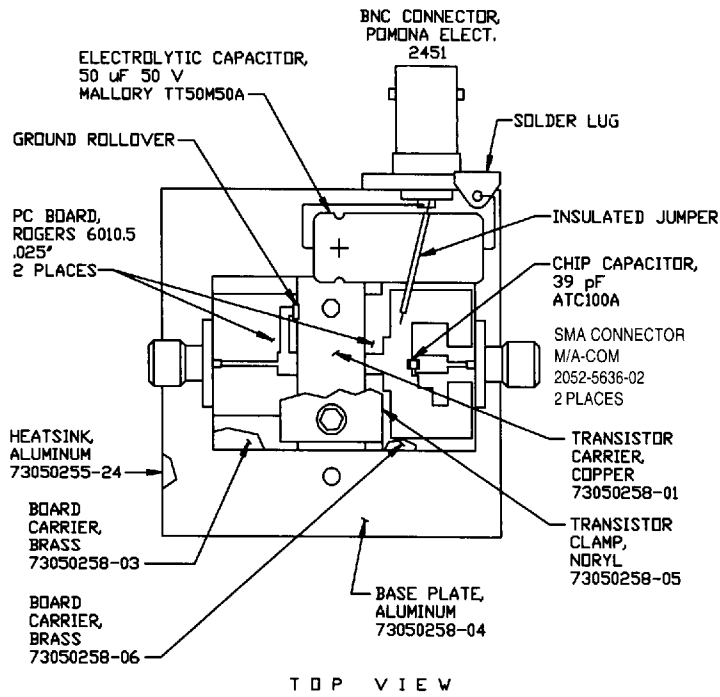
North America: Tel. (800) 366-2266
Fax (800) 618-8883

Asia/Pacific: Tel. +81 (03) 3226-1671
Fax +81 (03) 3226-1451

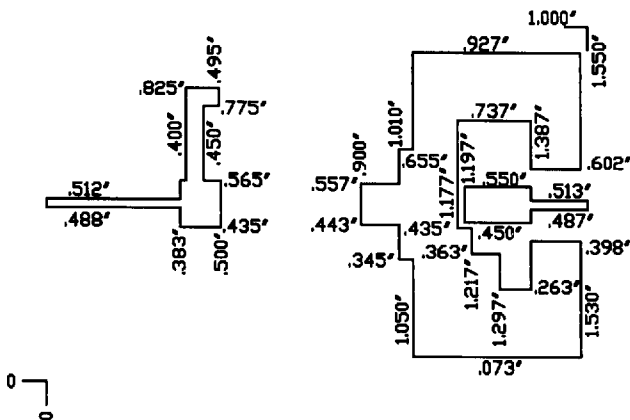
Europe: Tel. +44 (1344) 869 595
Fax +44 (1344) 300 020

5642205 0002036 967

RF Test Fixture



Test Fixture PC Board Dimensions



Specifications Subject to Change Without Notice.

M/A-COM, Inc.

North America: Tel. (800) 366-2266
Fax (800) 618-8883

Asia/Pacific: Tel. +81 (03) 3226-1671
Fax +81 (03) 3226-1451

Europe: Tel. +44 (1344) 869 595
Fax +44 (1344) 300 020