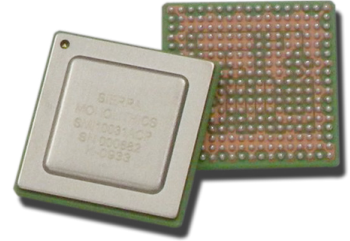


# Product Brief



OPTICAL TRANSPORT & DATACOM PRODUCTS



## SMI10021

### 100-113 Gbps 10:4 Mux/CMU with Dual-DQPSK Precoder for Short Reach Applications

#### Product Description

SMI10021 is a 10:4 Multiplexer with on chip Clock Multiplier Unit and user enabled Dual/Single DQPSK Precoder function that support the data rates from 100 to 113Gbps.

#### Product Highlights

- ▶ Quad AC-Coupled CML Line-Side Output Ports
  - 25.0 to 28.3 Gbps per channel
  - 0.3 to 0.6 Volt pp SE/ 0.6 to 1.2Volt pp Differential Output Level, Typical (adjustable for reduced power)
  - 11 psec (typical) Rise/Fall Times
  - 4 psec p-p total jitter (typical)
  - Selectable Line-side pre-emphasis to compensate loss due to PCB interconnect
- ▶ High-Speed Differential Clock Outputs with Highly Stable Clock-Data Skew and Low Jitter
  - Full (25 - 28.3 GHz) and Half-Rate (12.5 - 14.15 GHz) CML Clocks
  - 0.8 Volt pp Differential Output Level
- ▶ Optional input reference clock rate at 1/16th client-side baud rate (625.0 to 707.5 MHz) or 1/64th client-side baud rate (156.25MHz to 176.875MHz)

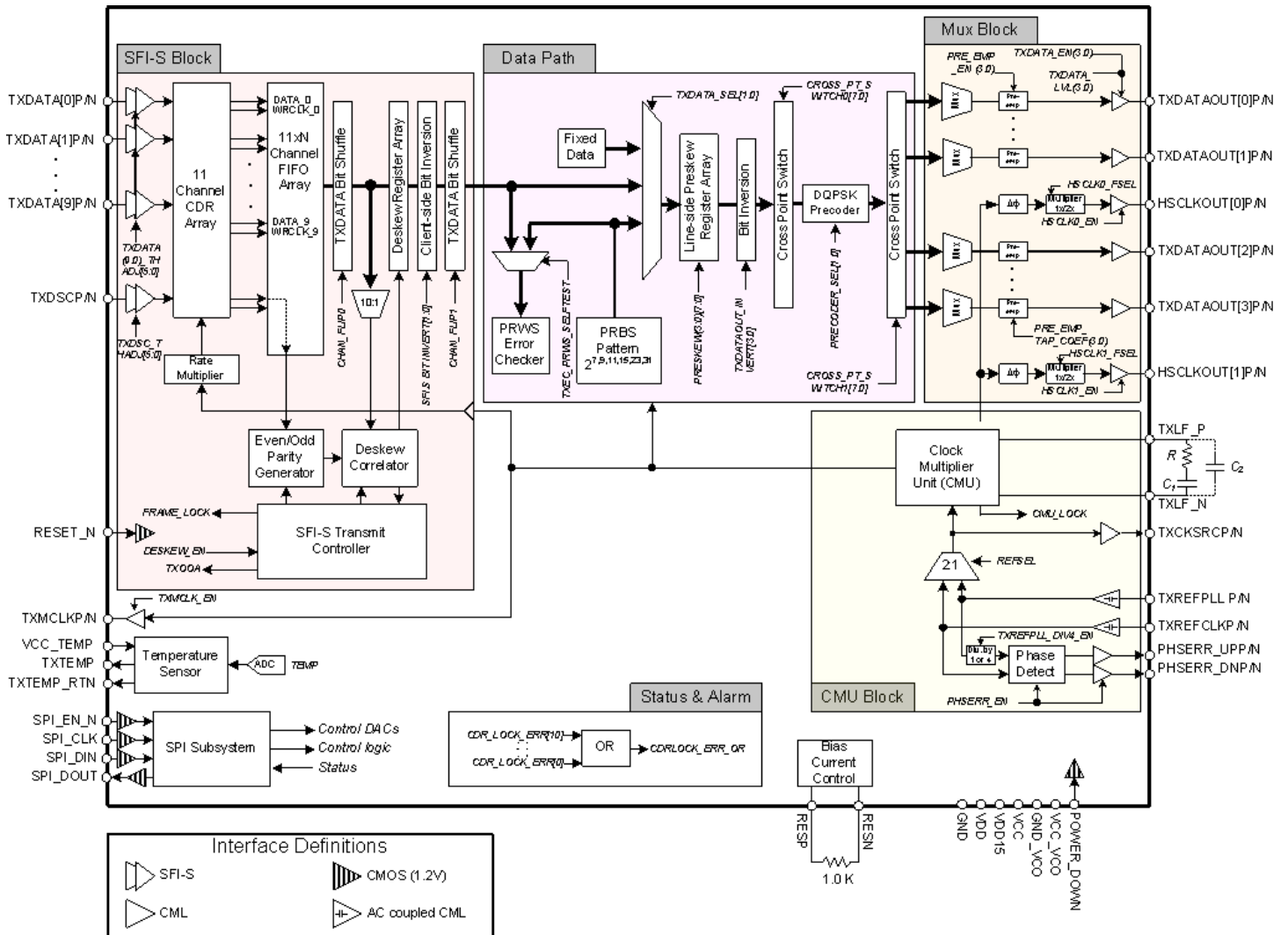
- ▶ Reference Clock Clean-Up PLL Circuitry
- ▶ CAUI/MLD-compatible client-side interface
  - Optional SFI-S Compliant Deskew Function
  - Hot-plug compatible for ac-coupled inputs
  - Capable of dc-coupled operation with 1.2V source termination voltages
- ▶ On-Chip PRWS Error Checker and Pattern Generator:  $2^7-1$ ,  $2^9-1$ ,  $2^{11}-1$ ,  $2^{15}-1$ ,  $2^{23}-1$  or  $2^{31}-1$  industry-standard patterns
  - On-chip bit and error counters for measuring BER
  - Parallel and lane-by-lane error checking capacities
  - Programmable 80-bit arbitrary pattern generator
- ▶ SPI Control Interface
- ▶ Temperature Sense Output Voltage
- ▶ Power Supply Voltages: +1.2V, +1.5V and +2.8V
- ▶ Package: Full BGA-style package

#### Applications

- ▶ OTU4/100GE Modules and Transponders
- ▶ Routers and Switches

# Product Brief

## SMI10021 Block Diagram — 100-113 Gbps 10:4 Mux/CMU with Dual-DQPSK Precoder



Sierra Monolithics Inc. is now part of Semtech Incorporated. To view the most current product specifications and datasheets, contact your local Semtech Field Applications Engineer.