



Obsolescence Notice

This product is obsolete.

This information is available for your convenience only.

For more information on Zarlink's obsolete products and replacement product lists, please visit http://products.zarlink.com/obsolete_products/

***THIS DOCUMENT IS FOR MAINTENANCE
PURPOSES ONLY AND IS NOT
RECOMMENDED FOR NEW DESIGNS***

SP5610

1.3GHz BI-DIRECTIONAL I²C BUS CONTROLLED SYNTHESISER

(Supersedes edition in 1996 Media IC Handbook, HB4599-1.0)

The SP5610 is a single chip frequency synthesiser designed for TV tuning systems. Control data is entered in the standard I²C BUS format. The device contains 1 addressable current limited output and 4 addressable bi-directional open collector ports one of which is a 3 bit ADC. The information on these ports can be read via the I²C BUS. The device has one fixed I²C BUS address and 3 programmable addresses, programmed by applying a specific input voltage to the P3 current limited output. This enables 2 or more synthesisers to be used in a system.

FEATURES

- Complete 1.3GHz Single chip System
- High Sensitivity RF Inputs
- Programmable via I²C Bus
- On Chip oscillator with 1k Ω negative resistance
- Low power consumption (5V, 20mA)
- Low Radiation
- Phase Lock Detector
- Varactor Drive Amp Disable
- 5 Controllable Outputs
- 5 Level ADC
- Variable I²C BUS Address For Multi Tuner Applications
- ESD Protection *
- Switchable \div 512/1024 Reference Divider
- Pin and Function Compatible with SP5510S †

* Normal ESD handling procedures should be observed.

† The SP5510S does not have a switchable reference division ratio.

APPLICATIONS

- Satellite TV when combined with SP4902 2.5GHz prescaler
- Cable Tuning Systems
- VCR's

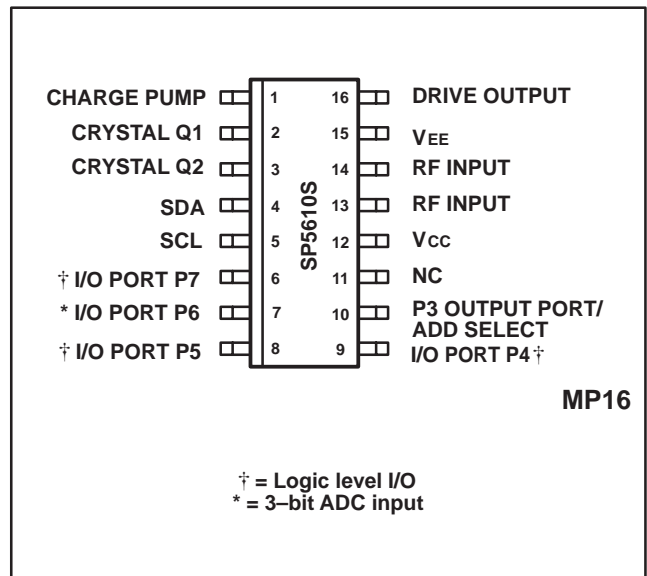


Fig. 1 Pin connections – top view

ORDERING INFORMATION

SP5610S/KG/MPAS (Tubes)
SP5610S/KG/MPAD (Tape and Reel)

SP5610

ELECTRICAL CHARACTERISTICS

T_{amb}= -40°C to +85°C, V_{CC}= +4.5V to +5.5V. Reference frequency = 4MHz. These characteristics are guaranteed by either production test or design. They apply within the specified ambient temperature and supply voltage ranges unless otherwise stated.

Characteristic	Pin	Value			Units	Conditions
		Min	Typ	Max		
Supply current	12		20	27	mA	V _{CC} = 4.5V to 5.5V
Prescaler Input Voltage	13, 14	12.5		300	mVrms	50MHz to 1.3GHz sinewave See Fig. 5.
Prescaler Input Impedance	13, 14		50		Ω	
Input Capacitance			2		pF	
SDA, SCL Input High Voltage	4, 5	3		5.5	V	Input Voltage = V _{CC} Input Voltage = 0V When V _{CC} = 0V
Input Low Voltage	4, 5	0		1.5	V	
Input High Current	4, 5			10	μA	
Input Low Current	4, 5			-10	μA	
Leakage Current	4, 5			10	μA	
SDA Output Voltage	4			0.4	V	I _{sink} = 3mA
Charge Pump Current Low	1		±50		μA	Byte 4 Bit 2 = 0, Pin 1 = 2V
Charge Pump Current High	1		±170		μA	Byte 4 Bit 2 = 1, Pin 1 = 2V
Charge Pump Output Leakage Current	1			±5	nA	Byte 4 Bit 4 = 1, Pin 1 = 2V
Charge Pump Drive Output Current	16	500			μA	V _{pin 16} = 0.7V
Charge Pump Amplifier Gain			6400			
Recommended Crystal series Resistance		10		200	Ω	“Parallel Resonant” crystal. Resistance specified is max under all conditions
Crystal Oscillator Drive Level	2		80		mVp-p	
Crystal Oscillator Negative Resistance	2	750	1000		Ω	
External Reference Input Frequency	2	2		8	MHz	AC coupled sinewave
External Reference Input amplitude	2	70		200	mVrms	AC coupled sinewave
Output Ports						
P3 Sink Current	10	0.7	1	1.5	mA	V _{out} = 12V
P3 Leakage Current	10			10	μA	V _{out} = 13.2V
P4-P7 Sink Current	9-6	10			mA	V _{out} = 0.7V
P4-P7 Leakage Current	9-6			10	μA	V _{out} = 13.2V
Input Ports						
P3 Input Current High	10			+10	μA	V _{pin 10} = 13.2V
P3 Input Current Low	10			-10	μA	V _{pin 10} = 0V
P4,P5,P7 Input Voltage Low	9,8,6			0.8	V	
P4,P5,P7 Input Voltage High	9,8,6	2.7			V	
P6 Input Current High	7			+10	μA	See Table 3 for ADC Levels
P6 Input Current Low	7			-10	μA	

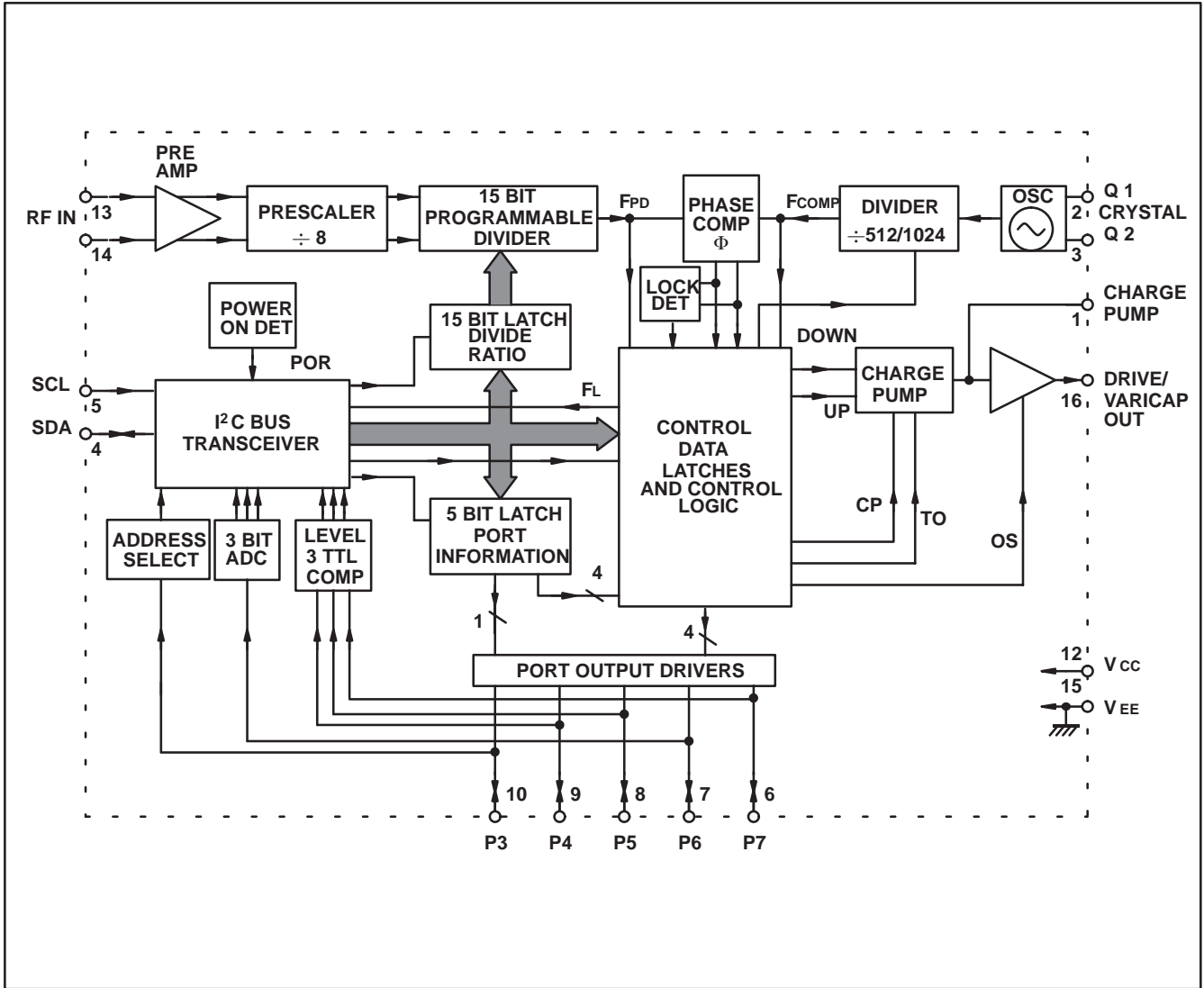


Fig 2. Block diagram

SP5610

FUNCTIONAL DESCRIPTION

The SP5610 is programmed from an I²C Bus. Data and Clock are fed in on the SDA and SCL lines respectively as defined by the I²C Bus format. The synthesiser can either accept new data (write mode) or send data (read mode). The LSB of the address byte (R/W) sets the device into write mode if it is low and read mode if it is high. The Tables in Fig. 3 illustrate the format of the data. The device can be programmed to respond to several addresses, which enables the use of more than one synthesiser in an I²C Bus system. Table 4 shows how the address is selected by applying a voltage to P3. When the device receives a correct address byte, it pulls the SDA line low during the acknowledge period, and during following acknowledge periods after further data bytes are programmed. When the device is programmed into the read mode, the controller accepting the data must pull the SDA line low during all status byte acknowledge periods to read another status byte. If the controller fails to pull the SDA line low during this period, the device generates an internal STOP condition, which inhibits further reading.

WRITE MODE (Frequency Synthesis)

When the device is in write mode bytes 2+3 select the synthesised frequency, while bytes 4+5 control the output port states, charge pump, reference divider ratio and various test modes.

Once the correct address is received and acknowledged, the first bit of the next byte determines whether that byte is interpreted as byte 2 or 4; a logic 0 for frequency information and a logic 1 for control and output port information. When byte 2 is received the device always expects byte 3 next. Similarly, when byte 4 is received the device expects byte 5 next. Additional data bytes can be entered without the need to re-address the device until an I²C stop condition is recognised. This allows a smooth frequency sweep for fine tuning or AFC purposes.

If the transmission of data is stopped mid-byte (e.g. by another device on the bus) then the previously programmed byte is maintained.

Frequency data from bytes 2 and 3 is stored in a 15-bit register and is used to control the division ratio of the 15-bit programmable divider. This is preceded by a divide-by-8 prescaler and amplifier to give excellent sensitivity at the local oscillator input, see Fig. 5. The input impedance is shown in Fig. 7.

The programmed frequency can be calculated by multiplying the programmed division ratio by 8 times the comparison frequency F_{COMP} .

When frequency data is entered, the phase comparator, via a charge pump and varicap drive amplifier, adjusts the local oscillator control voltage until the output of the programmable divider is frequency and phased locked to the comparison frequency.

The reference frequency may be generated by an external source capacitively coupled into pin 2, or provided by an on-board crystal controlled oscillator. The comparison frequency F_{COMP} is derived from the reference frequency via

the reference divider. The reference divider division ratio is switchable from 512 to 1024, and is controlled by bit 7 of byte 4 (TS0); a logic 1 for 512; a logic 0 for 1024. The SP5610 differs from the SP5510 in this respect, only 512 being available on the SP5510. Note, the comparison frequency is 7.8125kHz when a 4MHz reference is used, and divide by 512 is selected.

Bit 2 of byte 4 of the programming data (CP) controls the current in the charge pump circuit, a logic 1 for $\pm 170\mu\text{A}$ and a logic 0 for $\pm 50\mu\text{A}$ allowing compensation for the variable tuning slope of the tuner and also to enable fast channel changes over the full band. When the device is 'frequency locked' the charge pump current is internally set to $\pm 50\mu\text{A}$ regardless of CP.

Bit 4 of byte 4 (T0) disables the charge pump when it is set to a logic 1.

Bit 8 of byte 4 (OS) switches the charge pump drive amplifier's output off when it is set to a logic 1.

Bit 3 of byte 4 (T1) enables various test modes when set high. These modes are selected by bits 5, 6, 7 of byte 4 (TS2, TS1, TS0) as detailed in Table 5. When T1 is set low, TS2 and TS1 are assigned a 'don't care' condition, and TS0 selects the reference divider ratio as previously described.

Byte 5 programs the output ports P3 to P7; a logic 0 for a high impedance output and a logic 1 for low impedance (on).

READ MODE

When the device is in read mode the status byte read from the device on the SDA line takes the form shown in Table 2.

Bit 1 (POR) is the power-on reset indicator and is set to a logic 1 if the V_{CC} supply to the device has dropped below 3V (at 25°C), e.g. when the device is initially turned on. The POR is reset to 0 when the read sequence is terminated by a stop command. When POR is set high (at low V_{CC}), the programmed information is lost and the output ports are all set to high impedance.

Bit 2 (FL) indicates whether the device is phase locked, a logic 1 is present if the device is locked, and a logic 0 if the device is unlocked.

Bits 3, 4 and 5 (I2, I1, I0) show the status of the I/O Ports P7, P5 and P4 respectively. A logic 0 indicates a low level and a logic 1 a high level. If the ports are to be used as inputs they should be programmed to a high impedance state (logic 1). These inputs will then respond to data complying with TTL type voltage levels.

Bits 6, 7 and 8 (A2, A1, A0) combine to give the output of the 5 level ADC. The ADC can be used to feed AFC information to the microprocessor from the IF section of the receiver, as illustrated in the typical application circuit.

APPLICATION

A typical application is shown in Fig. 4. All input/output interface circuits are shown in Fig. 6. The SP5610 is function and pin equivalent to the SP5510 device apart from the switchable reference divider, and has much lower power dissipation, improved RF sensitivity and better ESD performance.

	MSB					LSB				
ADDRESS	1	1	0	0	0	MA1	MA0	0	A	Byte 1
PROGRAMMABLE DIVIDER	0	2 ¹⁴	2 ¹³	2 ¹²	2 ¹¹	2 ¹⁰	2 ⁹	2 ⁸	A	Byte 2
PROGRAMMABLE DIVIDER	2 ⁷	2 ⁶	2 ⁵	2 ⁴	2 ³	2 ²	2 ¹	2 ⁰	A	Byte 3
CONTROL DATA	1	CP	T1	T0	TS2	TS1	TS0	OS	A	Byte 4
IO PORT CONTROL DATA	P7	P6	P5	P4	P3	X	X	X	A	Byte 5

Table 1 Write data format (MSB is transmitted first)

ADDRESS	1	1	0	0	0	MA1	MA0	1	A	Byte 1
STATUS BYTE	POR	FL	I2	I1	I0	A2	A1	A0	A	Byte 2

Table 2 Read data format (MSB is transmitted first)

- A: Acknowledge bit
- MA1, MA0: Variable address bits (see Table 4)
- CP: Charge pump current select
- T1: Test mode enable
- T0: Charge pump disable
- TS2, TS1, TS0: Operation mode control bits (see Table 5)
- OS: Varactor drive Output disable Switch
- P7,P6,P5,P4,P3: Control output states
- POR: Power On Reset indicator
- FL: Phase Lock detect Flag
- I2, I1, I0: Digital information from Ports P7, P5 and P4, respectively
- A2, A1, A0: 5 Level ADC data from P6 (see Table 3)
- X: Don't care

A2	A1	A0	Voltage input to P6
1	0	0	0.6V _{CC} to 13.2V
0	1	1	0.45V _{CC} to 0.6V _{CC}
0	1	0	0.3V _{CC} to 0.45V _{CC}
0	0	1	0.15V _{CC} to 0.3V _{CC}
0	0	0	0 to 0.15V _{CC}

Table 3 ADC levels

MA1	MA0	Voltage input to P3
0	0	0 – 0.2V _{CC}
0	1	ALWAYS VALID
1	0	0.3V _{CC} – 0.7V _{CC}
1	1	0.8V _{CC} – 13.2V

Table 4 Address selection

T1	TS2	TS1	TS0	OPERATION MODE DESCRIPTION
0	X	X	0	Normal operation, test modes disabled, reference divider ratio=1024
0	X	X	1	Normal operation, test modes disabled, reference divider ratio=512
1	0	0	X	Charge pump source (down). Status byte bit FL set to 0
1	0	1	X	Charge pump sink (up). Status byte bit FL set to 1
1	1	0	0	Ports P4,P5,P6,P7 set to state X
1	1	0	1	Port P7=F _{PD} /2; P4,P5,P6 set to state X
1	1	1	X	Port P7=F _{PD} ; P6=F _{COMP} ; P4, P5 set to state X

X=don't care
For further details of test modes see Table 6.

Table 5 Operation modes

Fig. 3 Data formats

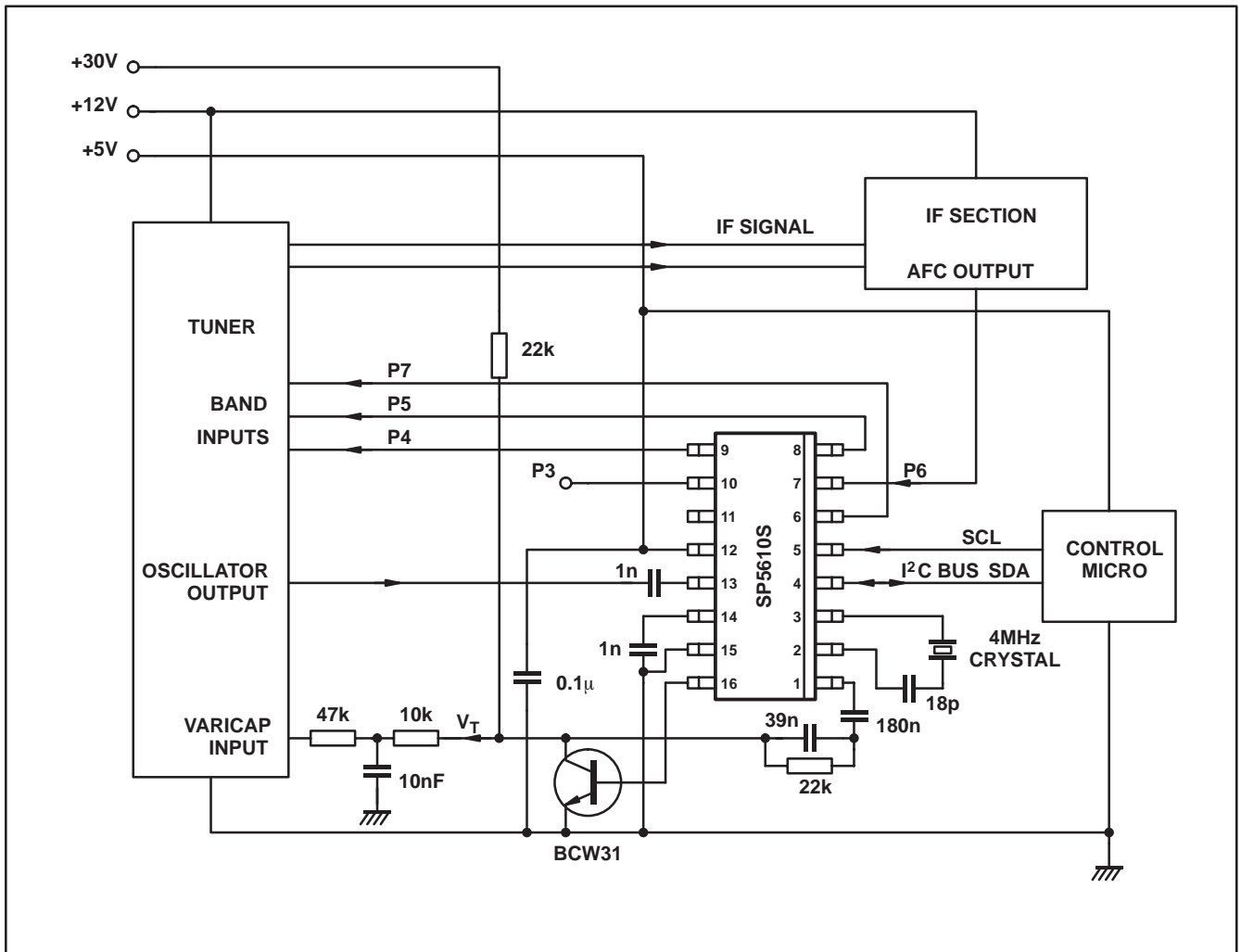


Fig. 4 Typical application

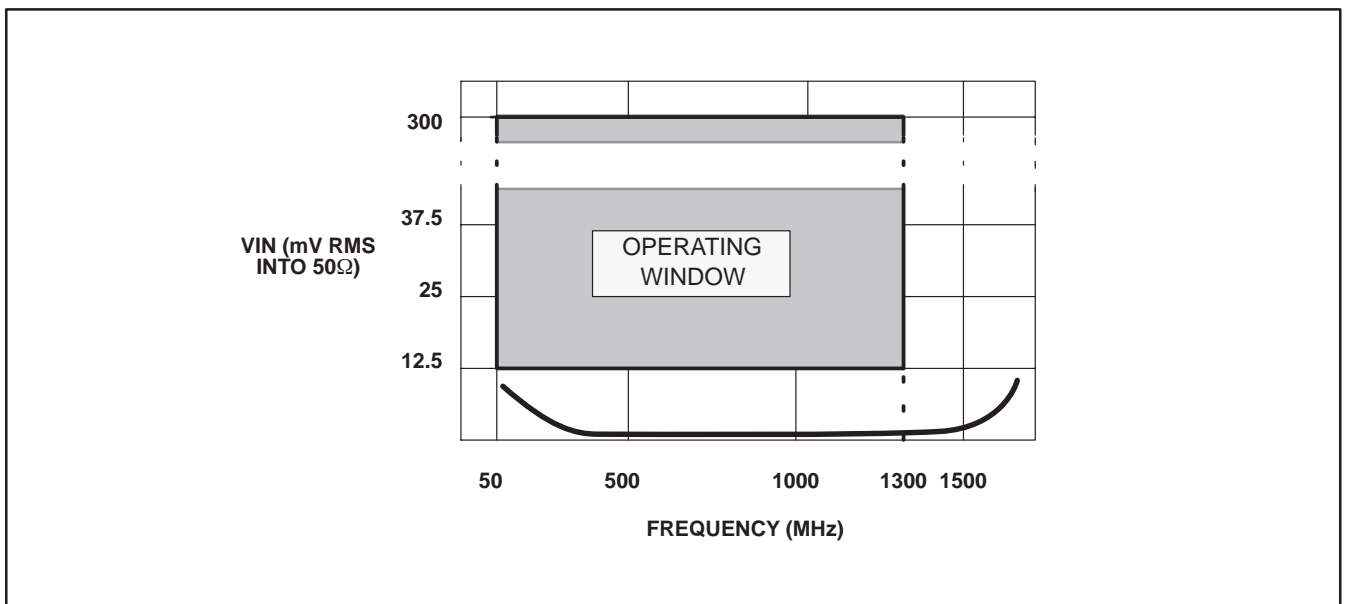
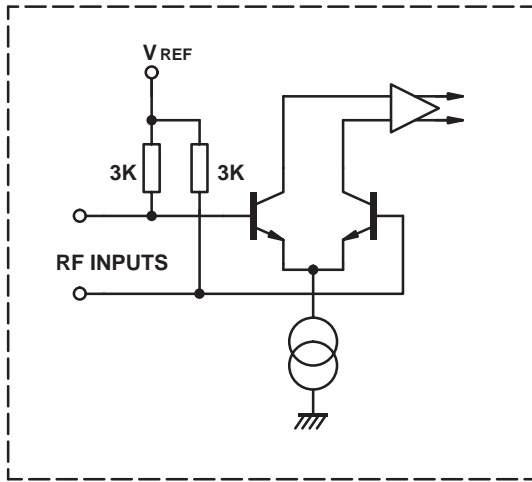
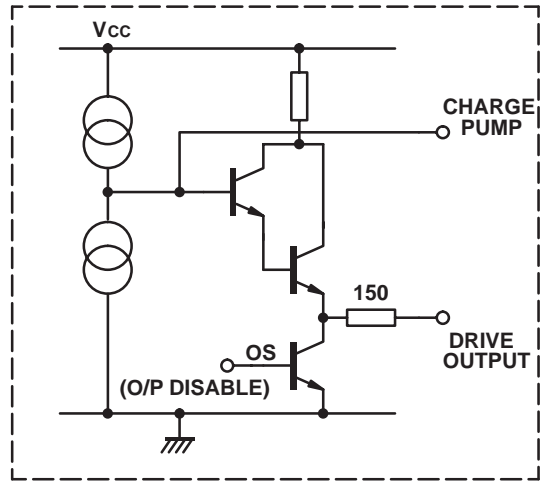


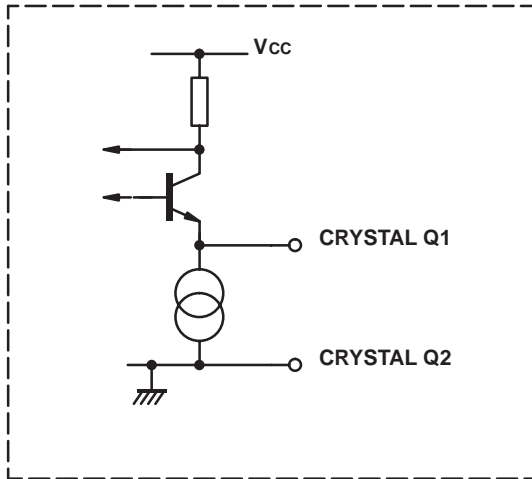
Fig. 5 Typical input sensitivity



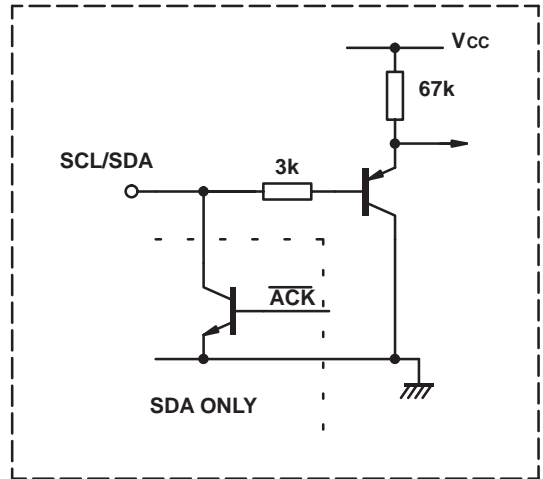
RF input



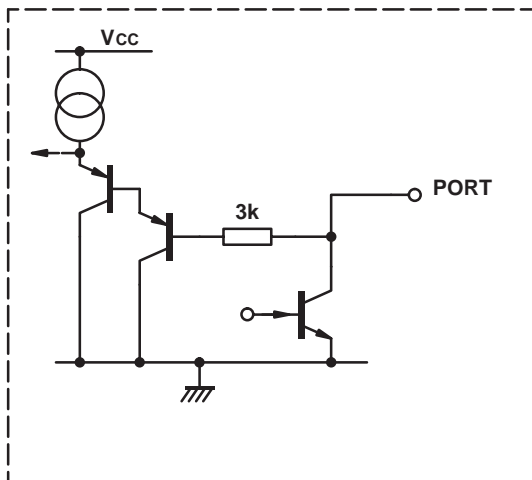
Loop amplifier



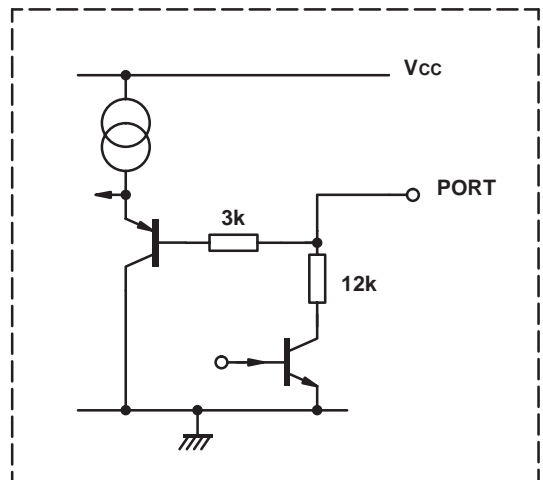
Reference oscillator



SCL and SDA input



Ports P7 - P4



Port P3

Fig. 6 Input/output interface circuits

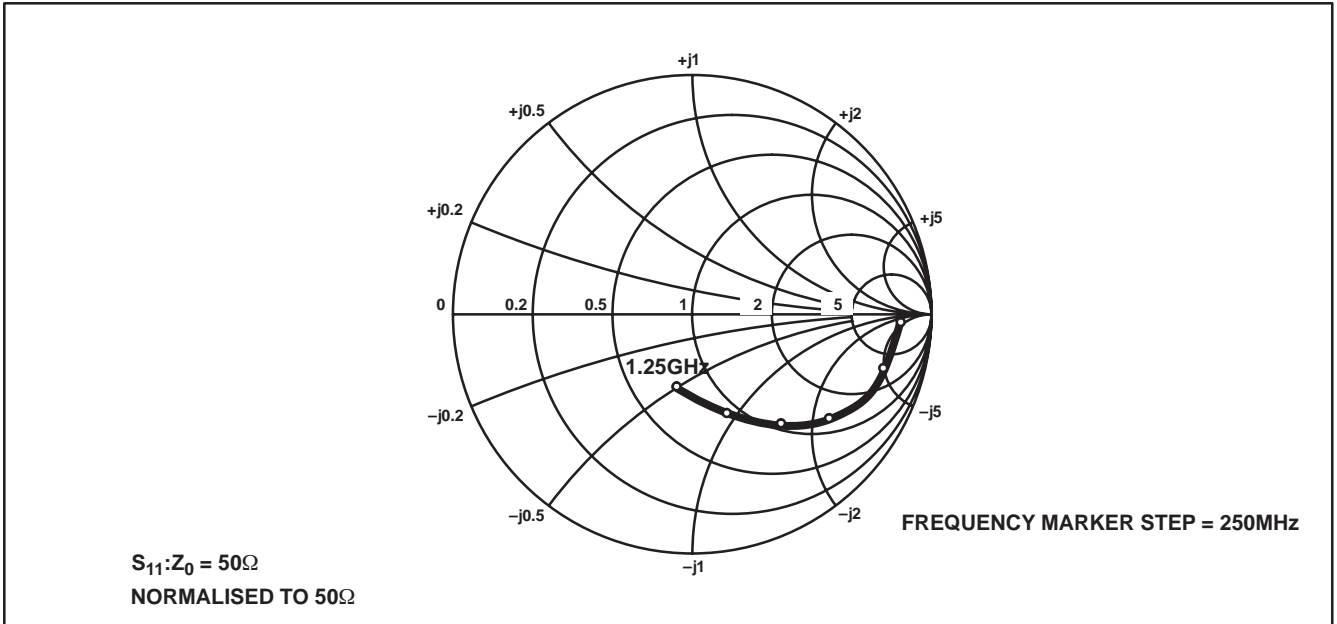


Fig. 7 Typical input impedance

ABSOLUTE MAXIMUM RATINGS

All voltages are referred to V_{EE} and pin 3 at 0V.

Parameter	Pin	Value		Units	Conditions
		Min	Max		
Supply voltage	12	- 0.3	7	V	
RF input voltage	13, 14		2.5	V _{p-p}	
Port voltage	6-10	- 0.3	14	V	Port in off state
	6-9	- 0.3	6	V	Port in on state
	10	- 0.3	14	V	Port in on state
Total port output current	6-10		50	mA	
RF input DC offset	13, 14	- 0.3	$V_{CC} + 0.3$	V	
Charge Pump DC offset	1	- 0.3	$V_{CC} + 0.3$	V	
Drive DC offset	16	- 0.3	$V_{CC} + 0.3$	V	
Crystal oscillator DC offset	2	- 0.3	$V_{CC} + 0.3$	V	
SDA,SCL input voltage	4, 5	- 0.3	6	V	
Storage temperature		- 55	+150	°C	
Junction temperature			+150	°C	
MP16 thermal resistance, chip-to-ambient			111	°C/W	
MP16 thermal resistance, chip-to-case			41	°C/W	
Power consumption at 5.5V			150	mW	All ports off
ESD protection	ALL	4		kV	MIL STD 883C TM 3015

APPLICATION NOTES

A generic set of application notes AN168 for designing with synthesisers such as the SP5610 has been written. This covers aspects such as loop filter design, decoupling and I²C bus radiation problems.

This application note is featured in the Media October 1995 IC Handbook. A generic test/demo board has been produced which can be used for the SP5610. A circuit diagram and layout for the board is shown in Figs. 8 and 9.

The board can be used for the following purposes:

- (A) Measuring RF sensitivity performance.
- (B) Indicating port function.
- (C) Synthesising a voltage controlled oscillator.
- (D) Testing of external reference sources.

The programming codes relevant to these tests are shown in Table 6.

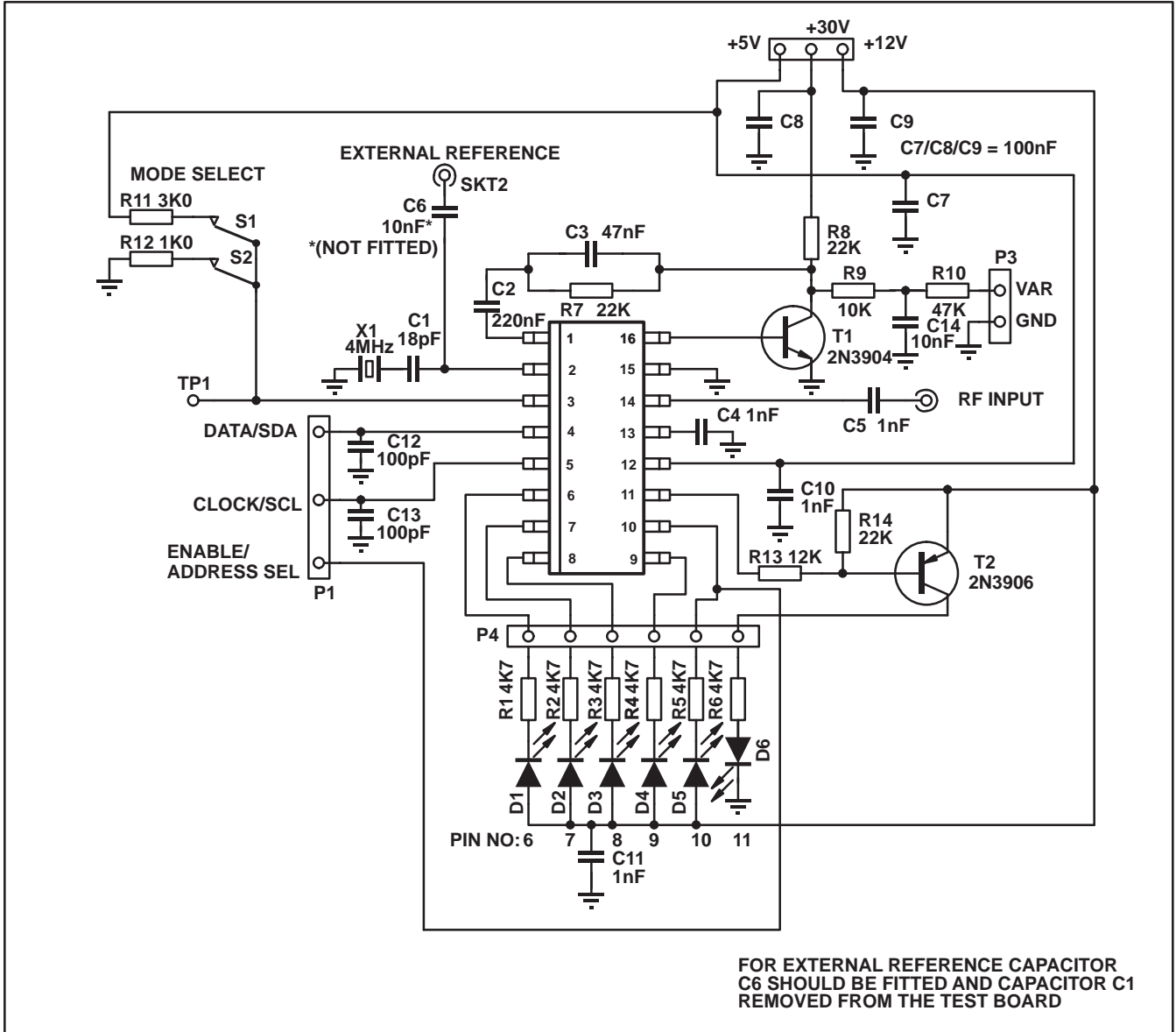
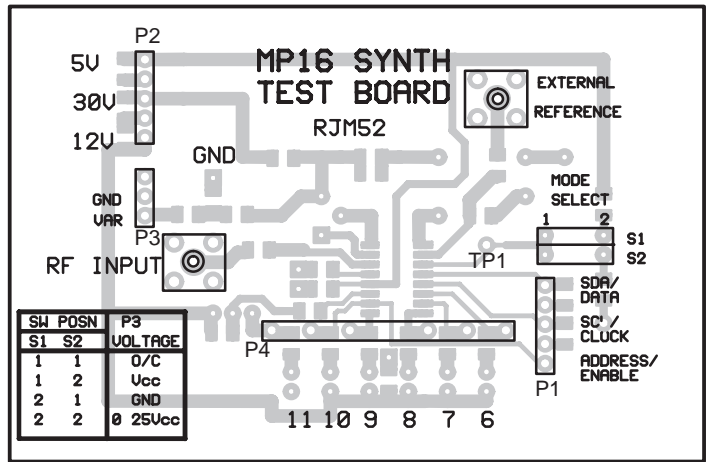
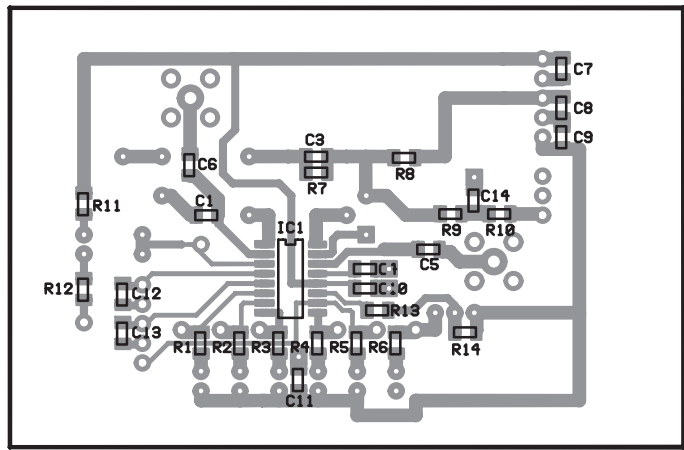


Fig. 8 Test board



TP1 = PIN 3 DC BIAS

Top view (Ground plane)



Underside (surface mount components side)

NOTES:
 CIRCUIT SCHEMATIC IS SHOWN IN FIG. 8.
 ALL SURFACE MOUNT COMPONENTS
 MOUNTED ON UNDERSIDE OF BOARD

Fig. 9 Test board (layout)

TEST MODES

As explained earlier in the data sheet, the device can be programmed into a number of test modes. These are invoked by programming the following HEX codes into Byte 4. The most commonly used codes are shown in Table 6

DESCRIPTION	HEX CODE (BYTE 4)	
	CP HI MODE	CP LO MODE
Normal operation, REF DIV = 1024	CC	8C
Normal operation, REF DIV = 512	CE	8E
Charge Pump Source (Down), FL SET to 0	E2	A2
Charge Pump Sink (up), FL SET to 1	E6	A6
Port P7 = $F_{PD}/2$	EA	AA
Port P7 = F_{PD} ; P6 = F_{COMP}	EE	AE
Charge Pump Disable, REF DIV \div 512	DE	9E
Varactor Line Disable, REF DIV \div 512	CF	8F
Charge Pump and Varactor Line Disable, REF DIV \div 512	DF	9F

Table 6 Useful test modes.

Other codes will also apply due to 'Don't Care' conditions, which are assumed to be 1 in the above Table.

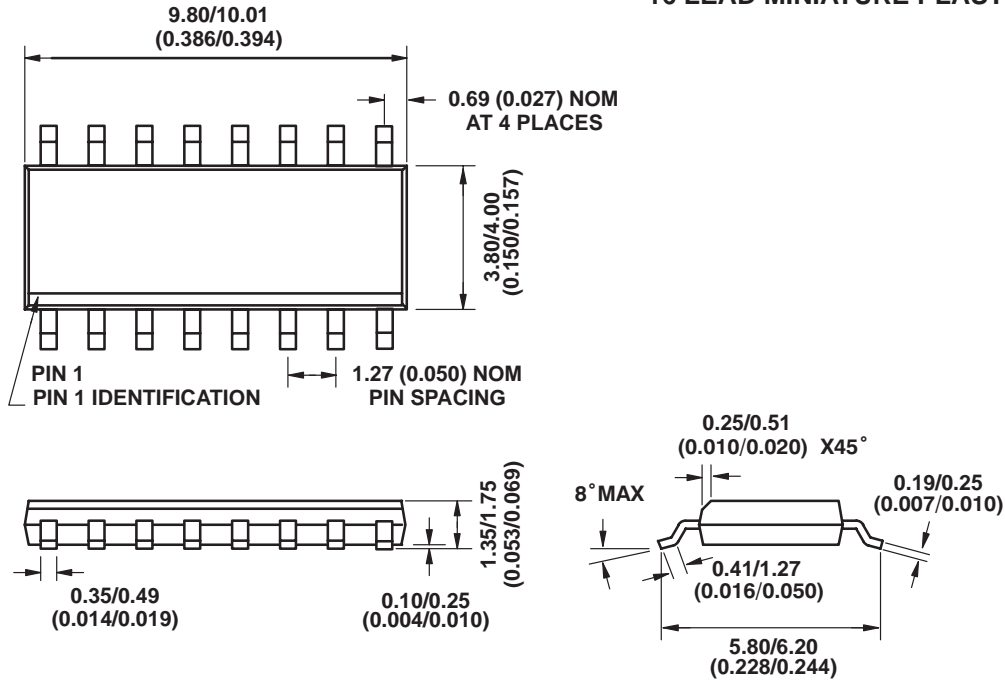
NOTE:

When looking at F_{PD} or F_{COMP} signals from Ports P7 and P6, Byte 4 should be sent twice, firstly to set the desired

reference divider ratio, (see Table 6) then secondly to switch on the chosen test mode.

The pulses can then be measured by simply connecting an oscilloscope or counter to the relevant output pin on the test board.

16 LEAD MINIATURE PLASTIC MP16



Purchase of GEC Plessey I2C components conveys a licence under the Philips I2C Patent rights to use these components in an I2C System, provided that the system conforms to the standard I2C Standard Specification as defined by Philips.



All brand names and product names used in this publication are trademarks, registered trademarks or trade names of their respective owners.

HEADQUARTERS OPERATIONS

GEC PLESSEY SEMICONDUCTORS
 Cheney Manor, Swindon,
 Wiltshire United Kingdom SN2 2QW.
 Tel: (01793) 518000
 Fax: (01793) 518411

GEC PLESSEY SEMICONDUCTORS
 P.O. Box 660017 1500 Green Hills Road,
 Scotts Valley, California 95067-0017,
 United States of America. Tel: (408) 438 5576/6231
 Fax: (408) 438 5576

Internet: <http://www.gpsemi.com>

CUSTOMER SERVICE CENTRES

- **FRANCE & BENELUX** Les Ulis Cedex Tel: (1) 69 18 90 00
 Fax: (1) 64 46 06 07
- **GERMANY** Munich Tel: (089) 3609 06 0 Fax: (089) 3609 06 55
- **ITALY** Milan Tel: (02) 6607151 Fax: (02) 66040993
- **JAPAN** Tokyo Tel: (03) 5276-5501 Fax: (03) 5276-5510
- **KOREA** Seoul Tel: (2) 5668141 Fax: (2) 5697933
- **NORTH AMERICA** Scotts Valley, USA
 Tel: (408) 438 2900 Fax: (408) 438 7023
- **SOUTH EAST ASIA** Singapore Tel: 3827708 Fax: 3828872
- **SWEDEN** Stockholm Tel: (8) 702 97 70 Fax: (8) 640 47 36
- **TAIWAN, ROC** Taipei Tel: (2) 5461260 Fax: (2) 7190260
- **UK, EIRE, DENMARK, FINLAND & NORWAY**
 Swindon Tel: (01793) 518527/518566 Fax: (01793) 518582

These are supported by Agents and Distributors in major countries world-wide.

© GEC Plessey Semiconductors 1997 Publication No. D.S. 3920 Issue No. 3.3 February 1997
 TECHNICAL DOCUMENTATION – NOT FOR RESALE. PRINTED IN UNITED KINGDOM

This publication is issued to provide information only, which (unless agreed by the Company in writing) may not be used, applied or reproduced for any purpose nor form part of any order or contract nor to be regarded as a representation relating to the products or services concerned. No warranty or guarantee express or implied is made regarding the capability, performance or suitability of any product or service. The Company reserves the right to alter without prior notice the specification, design, or price of any product or service. Information concerning possible methods of use is provided as a guide only and does not constitute any guarantee that such methods of use will be satisfactory in a specific piece of equipment. It is the user's responsibility to fully determine the performance and suitability of any equipment using such information and to ensure that any publication or data used is up to date and has not been superseded. These products are not suitable for use in any medical products whose failure to perform may result in significant injury or death to the user. All products and materials are sold and services provided subject to the Company's conditions of sale, which are available on request.



**For more information about all Zarlink products
visit our Web Site at
www.zarlink.com**

Information relating to products and services furnished herein by Zarlink Semiconductor Inc. or its subsidiaries (collectively "Zarlink") is believed to be reliable. However, Zarlink assumes no liability for errors that may appear in this publication, or for liability otherwise arising from the application or use of any such information, product or service or for any infringement of patents or other intellectual property rights owned by third parties which may result from such application or use. Neither the supply of such information or purchase of product or service conveys any license, either express or implied, under patents or other intellectual property rights owned by Zarlink or licensed from third parties by Zarlink, whatsoever. Purchasers of products are also hereby notified that the use of product in certain ways or in combination with Zarlink, or non-Zarlink furnished goods or services may infringe patents or other intellectual property rights owned by Zarlink.

This publication is issued to provide information only and (unless agreed by Zarlink in writing) may not be used, applied or reproduced for any purpose nor form part of any order or contract nor to be regarded as a representation relating to the products or services concerned. The products, their specifications, services and other information appearing in this publication are subject to change by Zarlink without notice. No warranty or guarantee express or implied is made regarding the capability, performance or suitability of any product or service. Information concerning possible methods of use is provided as a guide only and does not constitute any guarantee that such methods of use will be satisfactory in a specific piece of equipment. It is the user's responsibility to fully determine the performance and suitability of any equipment using such information and to ensure that any publication or data used is up to date and has not been superseded. Manufacturing does not necessarily include testing of all functions or parameters. These products are not suitable for use in any medical products whose failure to perform may result in significant injury or death to the user. All products and materials are sold and services provided subject to Zarlink's conditions of sale which are available on request.

Purchase of Zarlink's I²C components conveys a licence under the Philips I²C Patent rights to use these components in and I²C System, provided that the system conforms to the I²C Standard Specification as defined by Philips.

Zarlink, ZL and the Zarlink Semiconductor logo are trademarks of Zarlink Semiconductor Inc.

Copyright Zarlink Semiconductor Inc. All Rights Reserved.

TECHNICAL DOCUMENTATION - NOT FOR RESALE
