

PLEASE CHECK WWW.MOLEX.COM FOR LATEST PART INFORMATION

Part Number: [0951154882](#)
Status: **Active**
Overview: [modular_plugs](#)
Description: Round Cable Boot with Latch Protection for Modular Plug, Gray

Documents:

[Application Specification \(PDF\)](#) [Packaging Specification \(PDF\)](#)
[Drawing \(PDF\)](#) [RoHS Certificate of Compliance \(PDF\)](#)

General

Product Family	Accessories
Series	95115
Comments	"Must be ordered with series 85568"
Component Type	Boot
Overview	modular_plugs
Product Name	N/A

Physical

Breakaway	No
Circuits (Loaded)	N/A
Circuits (maximum)	0
Color - Resin	Gray
Gender	N/A
Lock to Mating Part	None
Number of Rows	0
Packaging Type	Bag
Polarized to Mating Part	N/A
Temperature Range - Operating	N/A

Material Info

Reference - Drawing Numbers

Sales Drawing	SD-95115-001
---------------	--------------

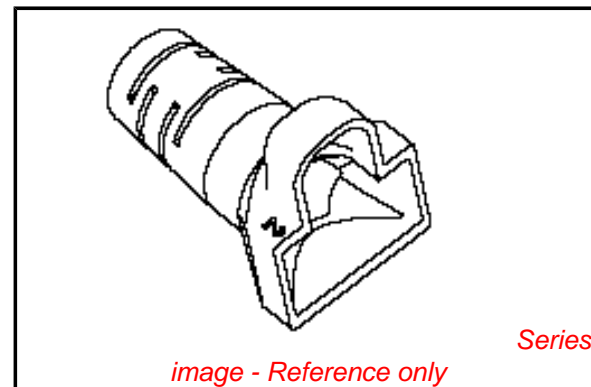


image - Reference only

EU RoHS

**ELV and RoHS
Compliant**
REACH SVHC
Not Reviewed
**Halogen-Free
Status**
Not Reviewed

China RoHS



**Need more information on product
environmental compliance?**

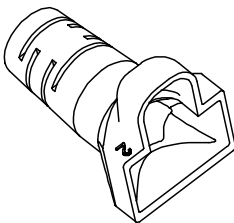
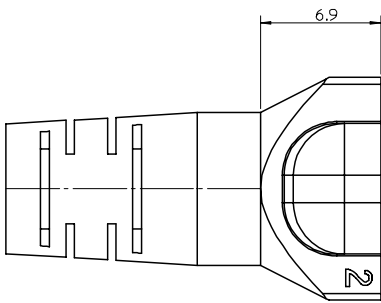
Email productcompliance@molex.com
For a multiple part number RoHS Certificate of Compliance, [click here](#)

Please visit the [Contact Us](#) section for any non-product compliance questions.

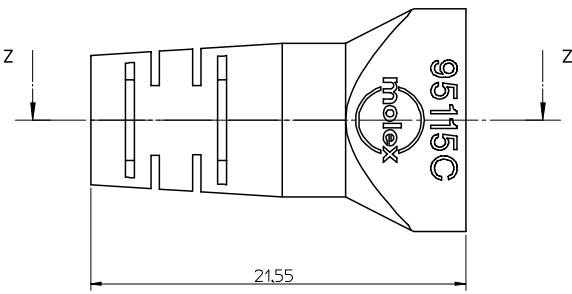
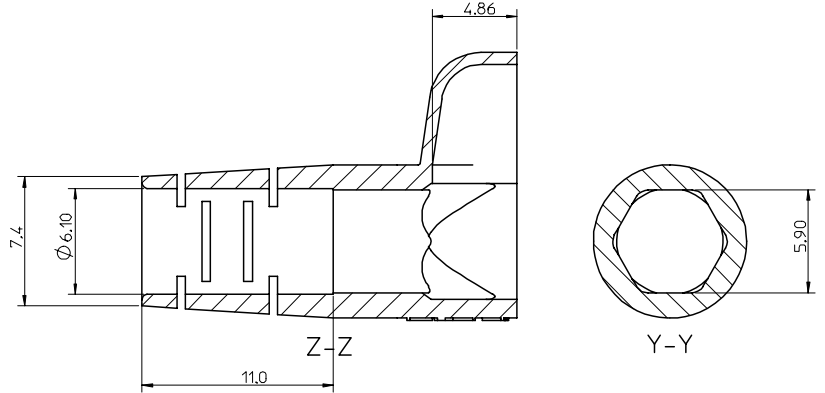
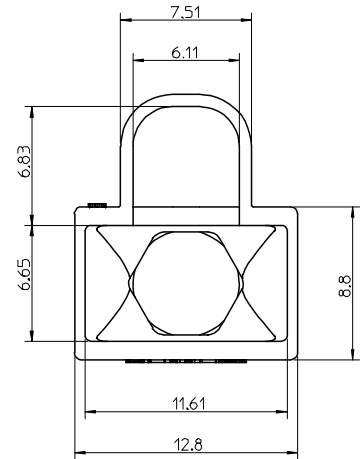
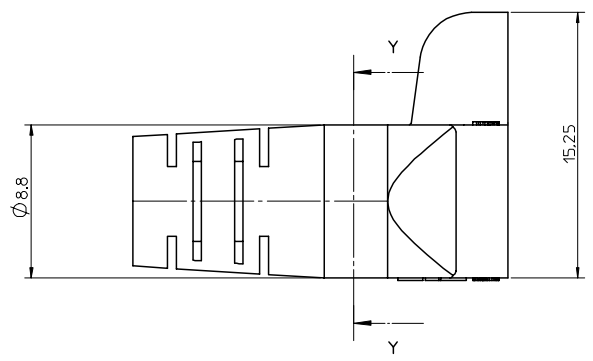
Search Parts in this Series
[95115Series](#)

Use With
[85568](#)

13 12 11 10 9 8 7 6 5 4 3 2 1



PART NUMBER CHART			
PART NUMBER	MARKING	COLOUR	RAL NBR
95115-4881	95115 C	BLACK	9005
95115-4882	95115 C	GREY	7035
95115-4883	95115 C	GREEN	6016
95115-4884	95115 C	RED	3000
95115-4885	95115 C	YELLOW	1021
95115-4886	95115 C	BLUE	5015
95115-4887	95115 C	ORANGE	2003



- NOTES:
- 1- MATERIAL: THERMOPLASTIC RUBBER 'SANTOPRENE 251-80' FROM MONSANTO RATED UL 94 V-0, HARDNESS 80 SHORE A COLOUR: SEE CHART
 - 2- EXTERNAL ASPECT AND COLOUR MUST BE UNIFORM
 - 3- DIMENSIONS GIVEN ABOUT CENTRELINES ARE SYMMETRICAL ABOUT CENTRELINES WITHIN HALF THE TOTAL TOLERANCE.
 - 4- NO BURRS, MARKS ALLOWED ON ALL OUTER SURFACES.
 - 5- APPLICATION SPECIFICATION: AS-85568-002
 - 6- PACKAGING SPECIFICATION: SEE PK-95115-001

ORIGINAL RELEASE EC NO: E2007-0982 DRAWN BY: DBYRNES CHKD: EOMAHONY APPR: EOMAHONY	QUALITY SYMBOLS ▽=0 ▽=0	GENERAL TOLERANCES (UNLESS SPECIFIED)		DIMENSION STYLE MM ONLY		SCALE 5:1	DESIGN UNITS METRIC	THIRD ANGLE PROJECTION
		4 PLACES ± --- ± --- 3 PLACES ± --- ± --- 2 PLACES ± 0.20 ± --- 1 PLACE ± 0.3 ± --- ANGULAR ± 5 °	mm INCH	DRAWN BY DATE DBYRNES 2007/05/22	CHECKED BY DATE EOMAHONY 2007/05/23	TITLE ROUND CABLE BOOT WITH LATCH PROTECTION FOR MODULAR PLUG		
A	DESCRIPTION ROUND CABLE BOOT WITH LATCH PROTECTION FOR MODULAR PLUG	DRAFT WHERE APPLICABLE MUST REMAIN WITHIN DIMENSIONS		SEE CHART		MOLEX INCORPORATED		SHEET NO. 1 OF 1

12 11 10 9 8 7 6 5 4 3 2 1