

## Technical Data Sheet

### Top View LEDs

#### 67-22/R6Y2C-B31/2T

#### Features

- P-LCC-4 package
- Optical indicator
- Colorless clear window
- Ideal for backlight and light pipe application
- Inter reflector
- Wide viewing angle
- Suitable for vapor-phase reflow, Infrared reflow and wave solder processes.
- Computable with automatic placement equipment
- Available on tape and reel (8mm Tape)
- Pb-free
- The product itself will remain within RoHS compliant version



#### Descriptions

- The 67-22 series is available in soft orange, green, blue and yellow. Due to the package design, the LED has wide viewing angle and optimized light coupling by inter reflector. This feature makes ideal for light pipe application. The low current requirement makes this device ideal for portable equipment or any other application where power is at a premium.

#### Applications

- Telecommunication: indicator and backlighting in telephone and fax
- Flat backlight for LCD's, switches and symbols
- Light pipe application
- General use

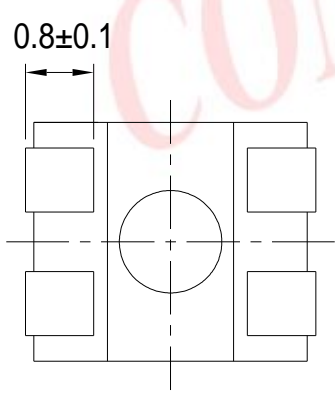
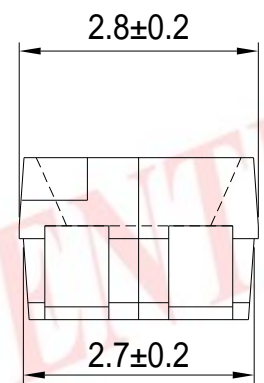
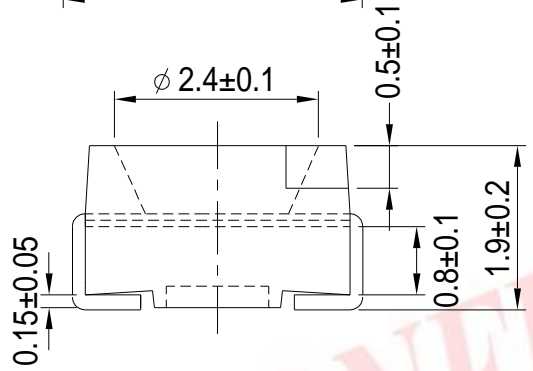
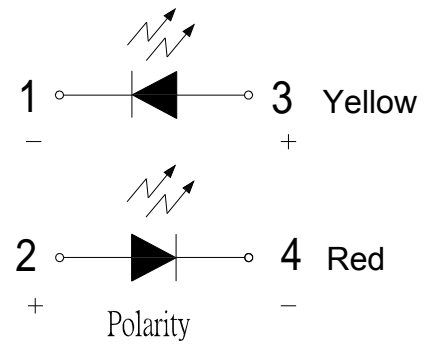
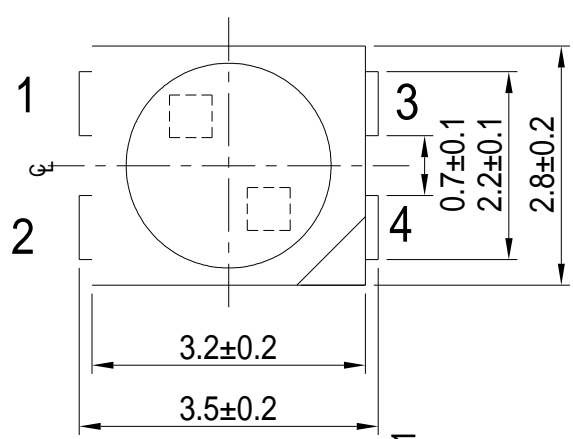
#### Device Selection Guide

Chip		Emitted Color	Resin Color
Type	Material		
R6	AlGaInP	Brilliant Red	Water Clear
Y2	AlGaInP	Brilliant Yellow	

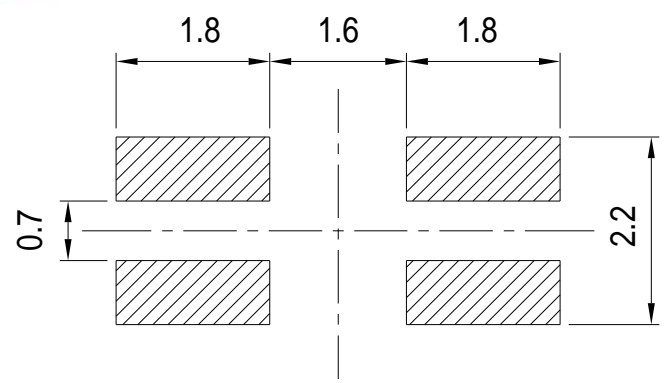
**Technical Data Sheet**  
**Top View LEDs**

**67-22/R6Y2C-B31/2T**

**Package Dimensions**



For reflow soldering(propose)



**Note:** The tolerance unless mentioned is  $\pm 0.1$ mm.



**Technical Data Sheet**  
**Top View LEDs**

**67-22/R6Y2C-B31/2T**

**Absolute Maximum Ratings (Ta=25 )**

Parameter	Symbol	Rating	Unit
Reverse Voltage	$V_R$	5	V
Forward Current	$I_F$	R6	25
		Y2	25
Peak Forward Current(Duty 1/10 @ 1KHz)	$I_{FP}$	R6	60
		Y2	60
Power Dissipation	$P_d$	R6	60
		Y2	60
Electrostatic Discharge(HBM)	ESD	R6	2000
		Y2	2000
Operating Temperature	$T_{opr}$	-40 ~ +85	
Storage Temperature	$T_{stg}$	-40~ +95	
Soldering Temperature	$T_{sol}$	Reflow soldering : 260 for 10 sec. Hand soldering : 350 for 3 sec.	



## Technical Data Sheet Top View LEDs

### 67-22/R6Y2C-B31/2T

#### Electro-Optical Characteristics (Ta=25 )

Parameter	Symbol	Min.	Typ.	Max.	Unit	Condition	
Luminous Intensity	I <sub>V</sub>	R6	72	-----	285	mcd	
		Y2		-----			
Viewing Angle	201/2	-----	120	-----	deg	I <sub>F</sub> =20mA	
Peak Wavelength	λ <sub>p</sub>	R6	-----	632	-----		nm
		Y2	-----	591	-----		
Dominant Wavelength	λ <sub>d</sub>	R6	621	-----	631		nm
		Y2	586	-----	594		
Spectrum Radiation Bandwidth	λ	R6	-----	20	-----		nm
		Y2	-----	15	-----		
Forward Voltage	V <sub>F</sub>	R6	1.75	-----	2.35	V	
Y2							
Reverse Current	I <sub>R</sub>	R6	-----	-----	10	μA	
Y2							

#### Notes:

1. Tolerance of Luminous Intensity : ±11%
2. Tolerance of Dominant Wavelength : ±1nm
3. Tolerance of Forward Voltage : ±0.1V

## Technical Data Sheet

### Top View LEDs

#### 67-22/R6Y2C-B31/2T

#### Bin Range of Luminous Intensity

Symbol	Bin Code	Min.	Max.	Unit	Condition
R6	Q1	72	90	mcd	I <sub>F</sub> =20mA
	Q2	90	112		
	R1	112	140		
	R2	140	180		
	S1	180	225		
	S2	225	285		
Y2	Q1	72	90		
	Q2	90	112		
	R1	112	140		
	R2	140	180		
	S1	180	225		
	S2	225	285		

#### Bin Range of Dominant Wavelength

Symbol	Bin Code	Min.	Max.	Unit	Condition
R6	FF1	621	626	nm	I <sub>F</sub> =20mA
	FF2	626	631		
Y2	DD1	586	588		
	DD2	588	590		
	DD3	590	592		
	DD4	592	594		

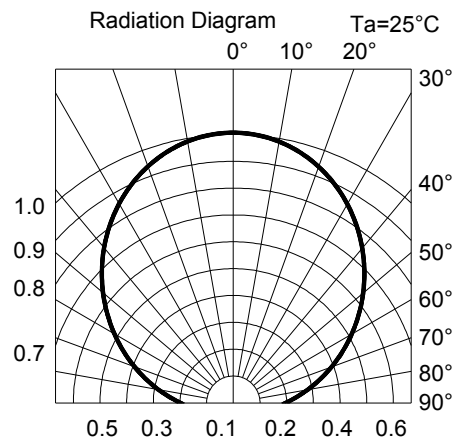
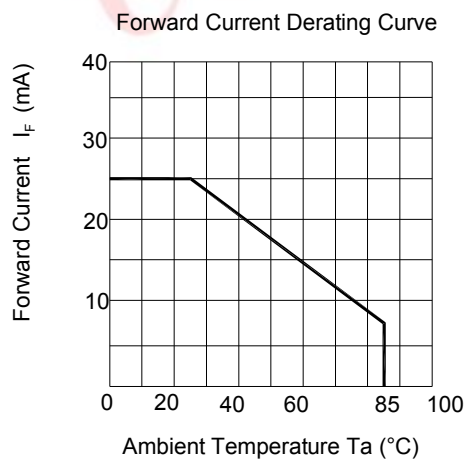
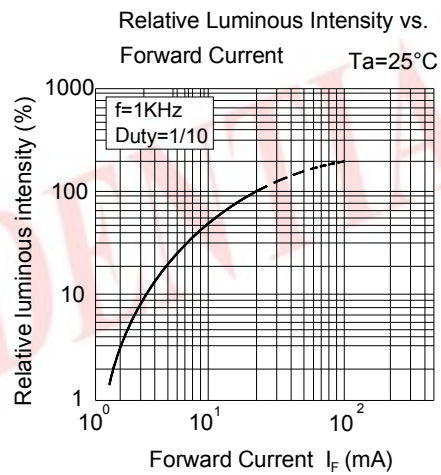
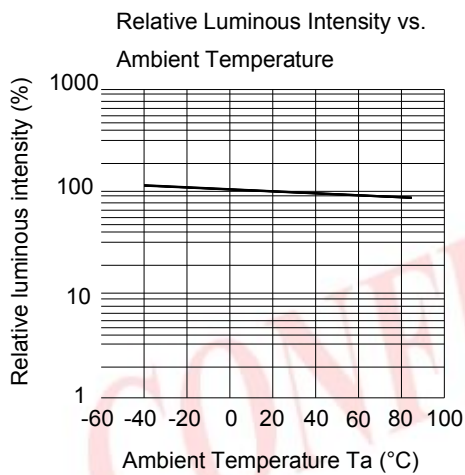
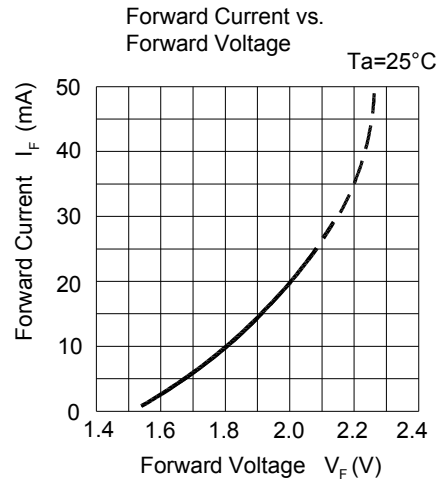
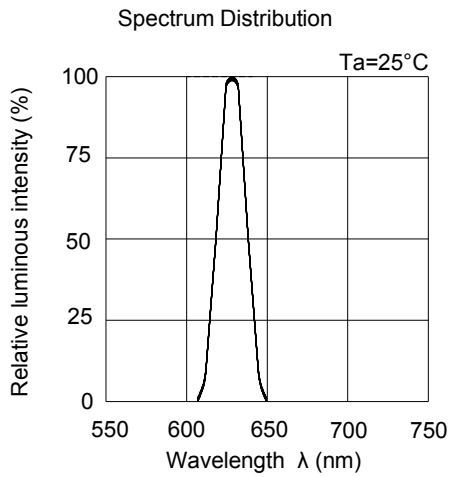
#### Notes:

1. Tolerance of Luminous Intensity :  $\pm 11\%$
2. Tolerance of Dominant Wavelength :  $\pm 1\text{nm}$

**Technical Data Sheet**  
**Top View LEDs**

**67-22/R6Y2C-B31/2T**

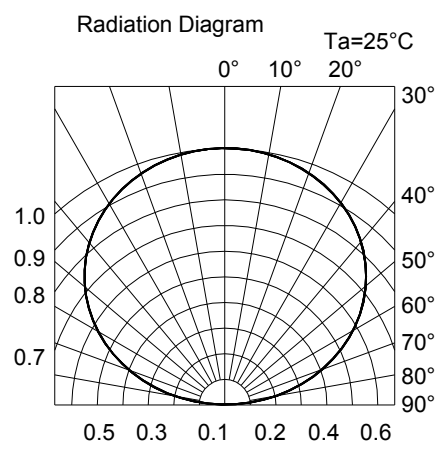
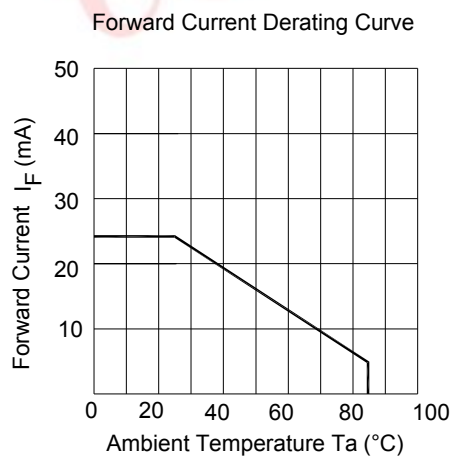
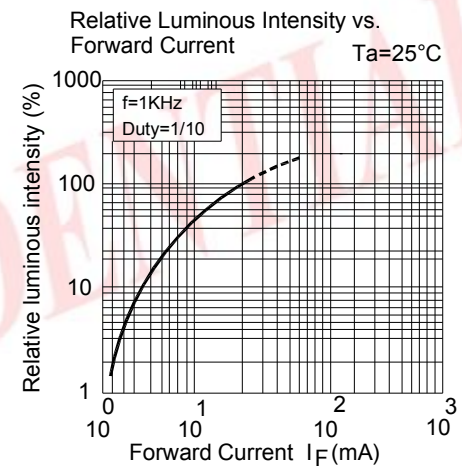
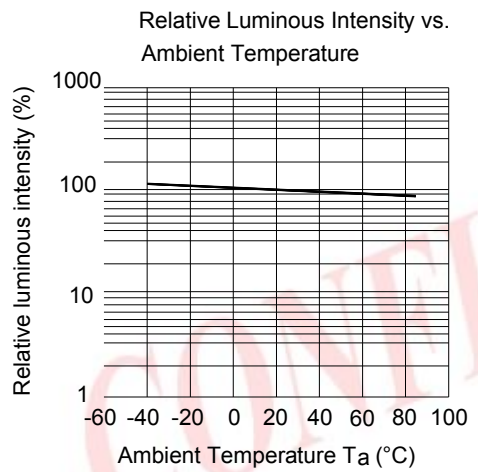
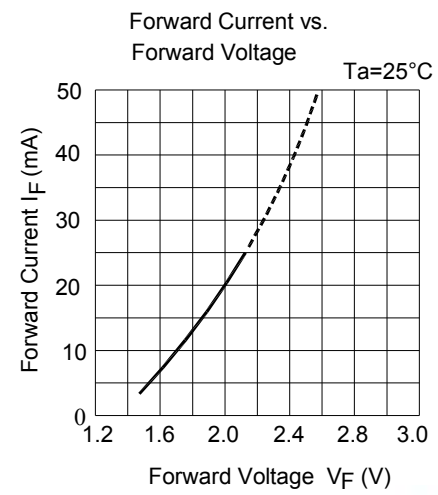
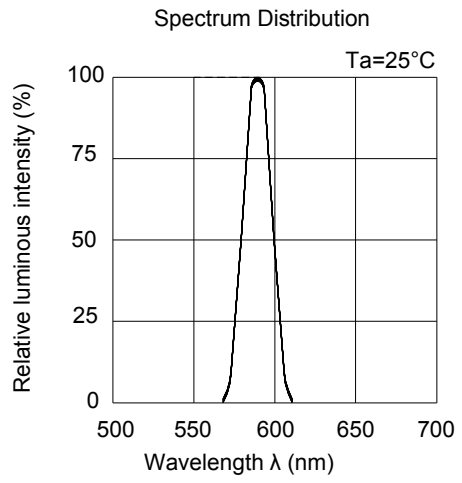
**Typical Electro-Optical Characteristics Curve (R6)**



## Technical Data Sheet Top View LEDs

### 67-22/R6Y2C-B31/2T

#### Typical Electro-Optical Characteristics Curves (Y2)



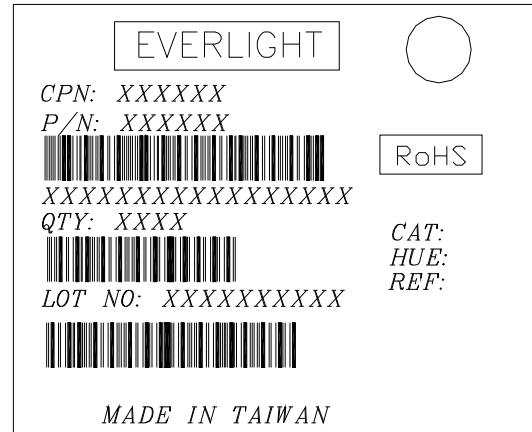


Technical Data Sheet  
Top View LEDs

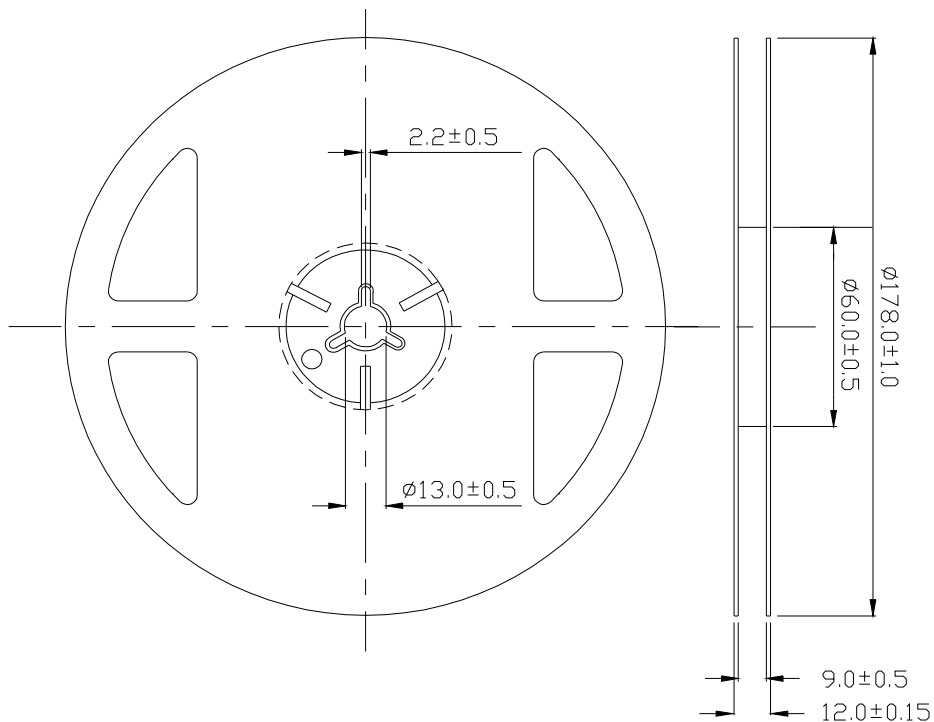
**67-22/R6Y2C-B31/2T**

**Label Explanation**

- CAT: Luminous Intensity Rank
- HUE: Dom. Wavelength Rank
- REF: Forward Voltage Rank



**Reel Dimensions**



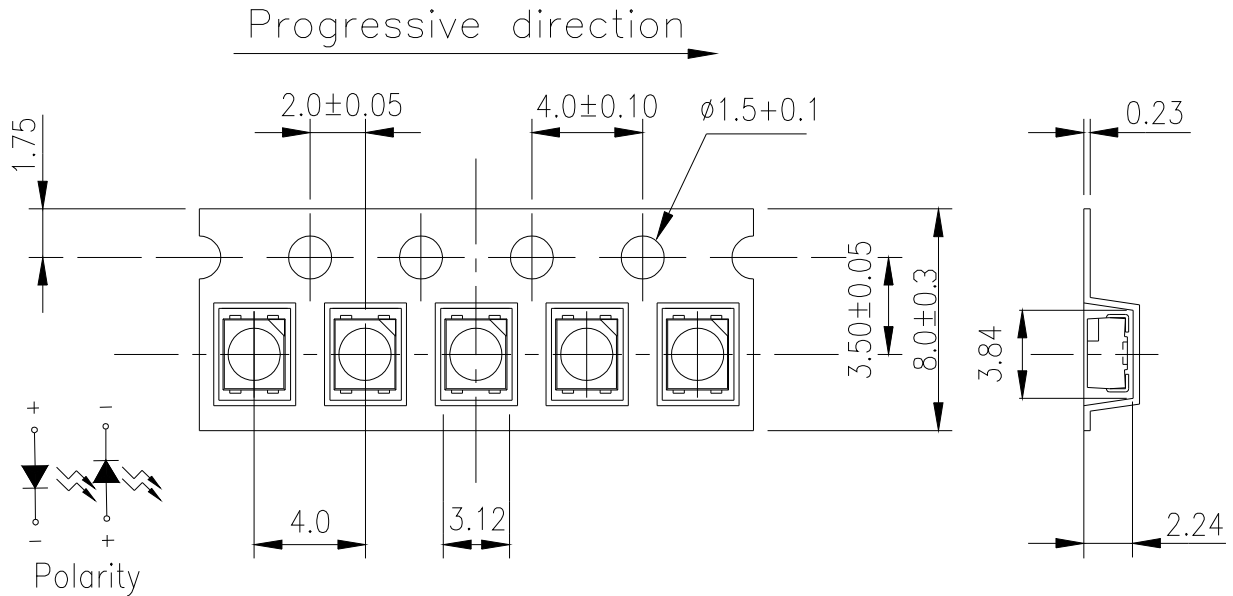
**Note:** The tolerance unless mentioned is ±0.1mm.



**Technical Data Sheet**  
**Top View LEDs**

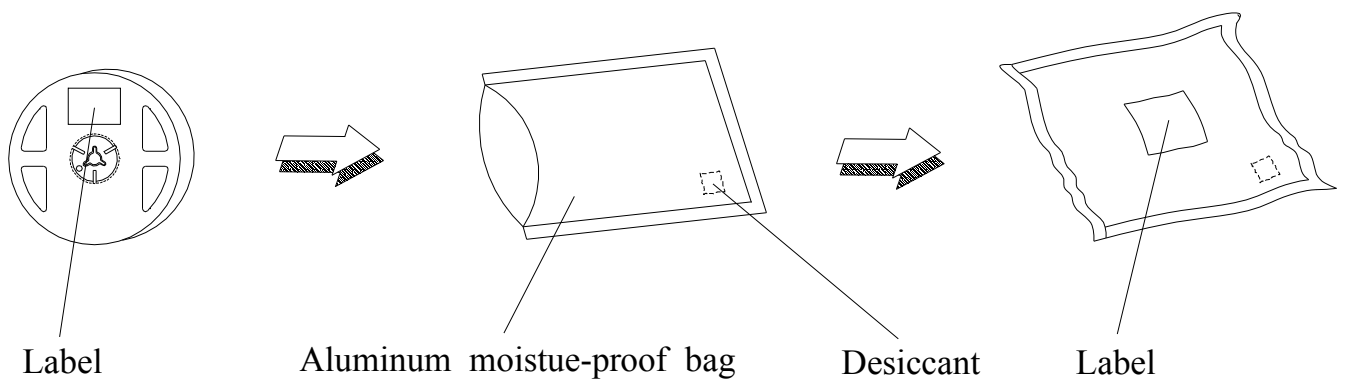
**67-22/R6Y2C-B31/2T**

**Carrier Tape Dimensions: Loaded Quantity 2000 pcs Per Reel**



**Note:** The tolerance unless mentioned is ±0.1mm.

**Moisture Resistant Packaging**





**Technical Data Sheet**  
**Top View LEDs**

**67-22/R6Y2C-B31/2T**

**Reliability Test Items and Conditions**

The reliability of products shall be satisfied with items listed below.

Confidence level : 90%

LTPD : 10%

No.	Items	Test Condition	Test Hours/Cycles	Sample Size	Ac/Re
1	Reflow Soldering	Temp. : 260 ±5 Min. 10sec.	6 Min.	22 PCS.	0/1
2	Temperature Cycle	H : +100 15min ∫ 5 min L : -40 15min	300 Cycles	22 PCS.	0/1
3	Thermal Shock	H : +100 5min ∫ 10 sec L : -10 5min	300 Cycles	22 PCS.	0/1
4	High Temperature Storage	Temp. : 100	1000 Hrs.	22 PCS.	0/1
5	Low Temperature Storage	Temp. : -40	1000 Hrs.	22 PCS.	0/1
6	DC Operating Life	I <sub>F</sub> = 20 mA	1000 Hrs.	22 PCS.	0/1
7	High Temperature / High Humidity	85 /85%RH.	1000 Hrs.	22 PCS.	0/1

**Technical Data Sheet  
Top View LEDs****67-22/R6Y2C-B31/2T****Precautions for Use****1. Over-current-proof**

Customer must apply resistors for protection , otherwise slight voltage shift will cause big current change ( Burn out will happen ).

**2. Storage**

2.1 Do not open moisture proof bag before the products are ready to use.

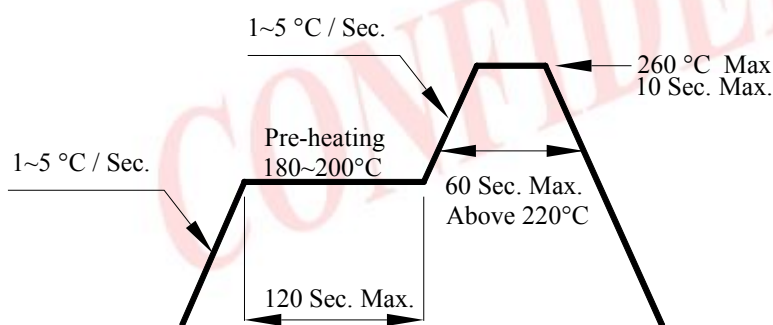
2.2 Before opening the package, the LEDs should be kept at 30 °C or less and 90%RH or less.

2.3 After opening the package: The LED's floor life is 1 year under 30 °C or less and 60% RH or less.

If unused LEDs remain, it should be stored in moisture proof packages.

2.4 If the moisture absorbent material (silica gel) has faded away or the LEDs have exceeded the storage time, baking treatment should be performed using the following conditions.

Baking treatment : 60±5 °C for 24 hours.

**3. Soldering Condition****3.1 Pb-free solder temperature profile**

3.2 Reflow soldering should not be done more than two times.

3.3 When soldering, do not put stress on the LEDs during heating.

3.4 After soldering, do not warp the circuit board.

## Technical Data Sheet

### Top View LEDs

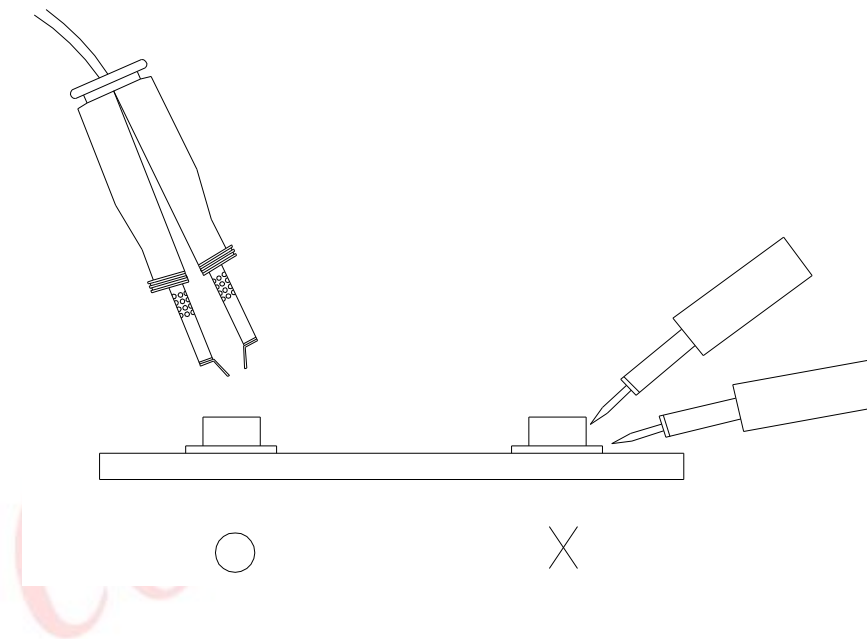
#### 67-22/R6Y2C-B31/2T

#### 4. Soldering Iron

Each terminal is to go to the tip of soldering iron temperature less than 350 for 3 seconds within once in less than the soldering iron capacity 25W. Leave two seconds and more intervals, and do soldering of each terminal. Be careful because the damage of the product is often started at the time of the hand solder.

#### 5. Repairing

Repair should not be done after the LEDs have been soldered. When repairing is unavoidable, a double-head soldering iron should be used (as below figure). It should be confirmed beforehand whether the characteristics of the LEDs will or will not be damaged by repairing.



**EVERLIGHT ELECTRONICS CO., LTD.**  
Office: No 25, Lane 76, Sec 3, Chung Yang Rd,  
Tucheng, Taipei 236, Taiwan, R.O.C

Tel: 886-2-2267-2000, 2267-9936  
Fax: 886-2267-6244, 2267-6189, 2267-6306  
<http://www.everlight.com>