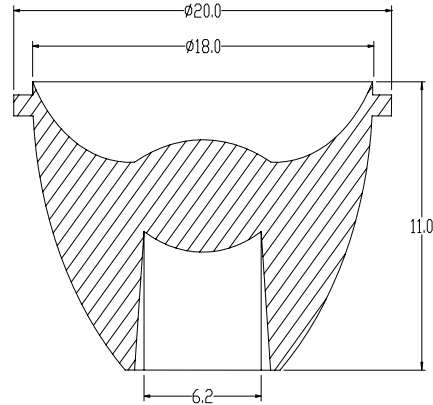




Package Dimension



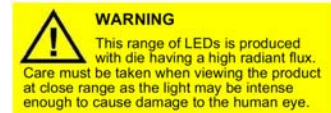
Features

- Highest Optical Efficiency, up to 95%
- Highest Optical grade PC
- Efficiently collimate the light into 10° beam

Applications

- Accent Lighting/Spot Light
- Marine/Miner's Lighting
- Portable Lighting/Flashlight

Tolerance: $\pm 0.25\text{mm}$



Note: Industry standard procedures regarding static must be observed when handling this product.

Notes:

1. Specification is subjected to change without notice.

Representative Spatial Radiation Pattern

