

To all our customers

Regarding the change of names mentioned in the document, such as Hitachi Electric and Hitachi XX, to Renesas Technology Corp.

The semiconductor operations of Mitsubishi Electric and Hitachi were transferred to Renesas Technology Corporation on April 1st 2003. These operations include microcomputer, logic, analog and discrete devices, and memory chips other than DRAMs (flash memory, SRAMs etc.) Accordingly, although Hitachi, Hitachi, Ltd., Hitachi Semiconductors, and other Hitachi brand names are mentioned in the document, these names have in fact all been changed to Renesas Technology Corp. Thank you for your understanding. Except for our corporate trademark, logo and corporate statement, no changes whatsoever have been made to the contents of the document, and these changes do not constitute any alteration to the contents of the document itself.

Renesas Technology Home Page: <http://www.renesas.com>

Renesas Technology Corp.
Customer Support Dept.
April 1, 2003

Cautions

Keep safety first in your circuit designs!

1. Renesas Technology Corporation puts the maximum effort into making semiconductor products better and more reliable, but there is always the possibility that trouble may occur with them. Trouble with semiconductors may lead to personal injury, fire or property damage.
Remember to give due consideration to safety when making your circuit designs, with appropriate measures such as (i) placement of substitutive, auxiliary circuits, (ii) use of nonflammable material or (iii) prevention against any malfunction or mishap.

Notes regarding these materials

1. These materials are intended as a reference to assist our customers in the selection of the Renesas Technology Corporation product best suited to the customer's application; they do not convey any license under any intellectual property rights, or any other rights, belonging to Renesas Technology Corporation or a third party.
2. Renesas Technology Corporation assumes no responsibility for any damage, or infringement of any third-party's rights, originating in the use of any product data, diagrams, charts, programs, algorithms, or circuit application examples contained in these materials.
3. All information contained in these materials, including product data, diagrams, charts, programs and algorithms represents information on products at the time of publication of these materials, and are subject to change by Renesas Technology Corporation without notice due to product improvements or other reasons. It is therefore recommended that customers contact Renesas Technology Corporation or an authorized Renesas Technology Corporation product distributor for the latest product information before purchasing a product listed herein.
The information described here may contain technical inaccuracies or typographical errors.
Renesas Technology Corporation assumes no responsibility for any damage, liability, or other loss rising from these inaccuracies or errors.
Please also pay attention to information published by Renesas Technology Corporation by various means, including the Renesas Technology Corporation Semiconductor home page (<http://www.renesas.com>).
4. When using any or all of the information contained in these materials, including product data, diagrams, charts, programs, and algorithms, please be sure to evaluate all information as a total system before making a final decision on the applicability of the information and products. Renesas Technology Corporation assumes no responsibility for any damage, liability or other loss resulting from the information contained herein.
5. Renesas Technology Corporation semiconductors are not designed or manufactured for use in a device or system that is used under circumstances in which human life is potentially at stake. Please contact Renesas Technology Corporation or an authorized Renesas Technology Corporation product distributor when considering the use of a product contained herein for any specific purposes, such as apparatus or systems for transportation, vehicular, medical, aerospace, nuclear, or undersea repeater use.
6. The prior written approval of Renesas Technology Corporation is necessary to reprint or reproduce in whole or in part these materials.
7. If these products or technologies are subject to the Japanese export control restrictions, they must be exported under a license from the Japanese government and cannot be imported into a country other than the approved destination.
Any diversion or reexport contrary to the export control laws and regulations of Japan and/or the country of destination is prohibited.
8. Please contact Renesas Technology Corporation for further details on these materials or the products contained therein.

PC Card Interface for E6000 and E8000 Emulators

User's Manual

RENESAS

ADE-702-324

Rev. 1.0

07/08/02

Hitachi, Ltd.

HS6000EIP01HE(A)

Cautions

1. Hitachi neither warrants nor grants licenses of any rights of Hitachi's or any third party's patent, copyright, trademark, or other intellectual property rights for information contained in this document. Hitachi bears no responsibility for problems that may arise with third party's rights, including intellectual property rights, in connection with use of the information contained in this document.
2. Products and product specifications may be subject to change without notice. Confirm that you have received the latest product standards or specifications before final design, purchase or use.
3. Hitachi makes every attempt to ensure that its products are of high quality and reliability. However, contact Hitachi's sales office before using the product in an application that demands especially high quality and reliability or where its failure or malfunction may directly threaten human life or cause risk of bodily injury, such as aerospace, aeronautics, nuclear power, combustion control, transportation, traffic, safety equipment or medical equipment for life support.
4. Design your application so that the product is used within the ranges guaranteed by Hitachi particularly for maximum rating, operating supply voltage range, heat radiation characteristics, installation conditions and other characteristics. Hitachi bears no responsibility for failure or damage when used beyond the guaranteed ranges. Even within the guaranteed ranges, consider normally foreseeable failure rates or failure modes in semiconductor devices and employ systemic measures such as fail-safes, so that the equipment incorporating Hitachi product does not cause bodily injury, fire or other consequential damage due to operation of the Hitachi product.
5. This product is not designed to be radiation resistant.
6. No one is permitted to reproduce or duplicate, in any form, the whole or part of this document without written approval from Hitachi.
7. Contact Hitachi's sales office for any questions regarding this document or Hitachi semiconductor products.

IMPORTANT INFORMATION

READ FIRST

- **READ** this user's manual before using this emulator product.
- **KEEP the user's manual handy for future reference.**

Do not attempt to use the emulator product until you fully understand its mechanism.

Emulator Product:

Throughout this document, the term "emulator product" shall be defined as the following products produced only by Hitachi, Ltd. excluding all subsidiary products.

- Emulator (including the evaluation chip set)
- PC card interface
- User system interface cable
- Optional board (including the memory board)

The user system or a host computer is not included in this definition.

Purpose of the Emulator Product:

This emulator product is a software and hardware development tool for systems employing the Hitachi microcomputers. This emulator product must only be used for the above purpose.

Limited Applications:

This emulator product is not authorized for use in MEDICAL, atomic energy, aeronautical or space technology applications without consent of the appropriate officer of a Hitachi sales company. Such use includes, but is not limited to, use in life support systems. Buyers of this emulator product must notify the relevant Hitachi sales offices before planning to use the product in such applications.

Improvement Policy:

Hitachi, Ltd. (including its subsidiaries, hereafter collectively referred to as Hitachi) pursues a policy of continuing improvement in design, functions, performance, and safety of the emulator product. Hitachi reserves the right to change, wholly or partially, the specifications, design, user's manual, and other documentation at any time without notice.

Target User of the Emulator Product:

This emulator product should only be used by those who have carefully read and thoroughly understood the information and restrictions contained in the user's manual. Do not attempt to use the emulator product until you fully understand its mechanism.

It is highly recommended that first-time users be instructed by users that are well versed in the operation of the emulator product.

LIMITED WARRANTY

Hitachi warrants its emulator products to be manufactured in accordance with published specifications and free from defects in material and/or workmanship. Hitachi, at its option, will repair or replace any emulator products returned intact to the factory, transportation charges prepaid, which Hitachi, upon inspection, shall determine to be defective in material and/or workmanship. The foregoing shall constitute the sole remedy for any breach of Hitachi's warranty. See the Hitachi warranty booklet for details on the warranty period. This warranty extends only to you, the original Purchaser. It is not transferable to anyone who subsequently purchases the emulator product from you. Hitachi is not liable for any claim made by a third party or made by you for a third party.

DISCLAIMER

HITACHI MAKES NO WARRANTIES, EITHER EXPRESS OR IMPLIED, ORAL OR WRITTEN, EXCEPT AS PROVIDED HEREIN, INCLUDING WITHOUT LIMITATION THEREOF, WARRANTIES AS TO MARKETABILITY, MERCHANTABILITY, FITNESS FOR ANY PARTICULAR PURPOSE OR USE, OR AGAINST INFRINGEMENT OF ANY PATENT. IN NO EVENT SHALL HITACHI BE LIABLE FOR ANY DIRECT, INCIDENTAL OR CONSEQUENTIAL DAMAGES OF ANY NATURE, OR LOSSES OR EXPENSES RESULTING FROM ANY DEFECTIVE EMULATOR PRODUCT, THE USE OF ANY EMULATOR PRODUCT, OR ITS DOCUMENTATION, EVEN IF ADVISED OF THE POSSIBILITY OF SUCH DAMAGES. EXCEPT AS EXPRESSLY STATED OTHERWISE IN THIS WARRANTY, THIS EMULATOR PRODUCT IS SOLD "AS IS", AND YOU MUST ASSUME ALL RISK FOR THE USE AND RESULTS OBTAINED FROM THE EMULATOR PRODUCT.

State Law:

Some states do not allow the exclusion or limitation of implied warranties or liability for incidental or consequential damages, so the above limitation or exclusion may not apply to you. This warranty gives you specific legal rights, and you may have other rights which may vary from state to state.

The Warranty is Void in the Following Cases:

Hitachi shall have no liability or legal responsibility for any problems caused by misuse, abuse, misapplication, neglect, improper handling, installation, repair or modifications of the emulator product without Hitachi's prior written consent or any problems caused by the user system.

All Rights Reserved:

This user's manual and emulator product are copyrighted and all rights are reserved by Hitachi. No part of this user's manual, all or part, may be reproduced or duplicated in any form, in hard-copy or machine-readable form, by any means available without Hitachi's prior written consent.

Other Important Things to Keep in Mind:

1. Circuitry and other examples described herein are meant merely to indicate the characteristics and performance of Hitachi's semiconductor products. Hitachi assumes no responsibility for any intellectual property claims or other problems that may result from applications based on the examples described herein.
2. No license is granted by implication or otherwise under any patents or other rights of any third party or Hitachi.

Figures:

Some figures in this user's manual may show items different from your actual system.

Limited Anticipation of Danger:

Hitachi cannot anticipate every possible circumstance that might involve a potential hazard. The warnings in this user's manual and on the emulator product are therefore not all inclusive. Therefore, you must use the emulator product safely at your own risk.

SAFETY PAGE

READ FIRST

- **READ** this user's manual before using this emulator product.
- **KEEP the user's manual handy for future reference.**

Do not attempt to use the emulator product until you fully understand its mechanism.

DEFINITION OF SIGNAL WORDS

DANGER indicates an **imminently** hazardous situation which, **if not avoided**, will result in **DEATH** or **SERIOUS INJURY** to you or other people.

WARNING indicates a **potentially** hazardous situation which, **if not avoided**, could result in **DEATH** or **SERIOUS INJURY** to you or other people.

CAUTION indicates a hazardous situation which, **if not avoided**, may result in **minor or moderate injury** to you or other people, or may result in **damage to the machine** or **loss of the user program**. It may also be used to alert against unsafe usage.

NOTE emphasizes essential information.



Observe the precautions listed below. Failure to do so will result in a FIRE HAZARD and will damage the PC card interface, the host computer, and the emulator product or will result in PERSONAL INJURY. The USER PROGRAM will be LOST.

- 1. Always switch OFF the emulator and host computer before connecting or disconnecting any CABLES, CARDS, or PARTS.**
- 2. Always before inserting the PC card interface into the host computer, make sure that the PC card interface is correctly oriented in the direction of ◀Insert.**

Notice

When using this document, keep the following in mind:

1. This document may, wholly or partially, be subject to change without notice.
2. All rights are reserved: No one is permitted to reproduce or duplicate, in any form, the whole or part of this document without Hitachi's permission.
3. Hitachi will not be held responsible for any damage to the user that may result from accidents or any other reasons during operation of the user's unit according to this document.
4. Circuitry and other examples described herein are meant merely to indicate the characteristics and performance of Hitachi's semiconductor products. Hitachi assumes no responsibility for any intellectual property claims or other problems that may result from applications based on the examples described herein.
5. No license is granted by implication or otherwise under any patents or other rights of any third party or Hitachi, Ltd.
6. **MEDICAL APPLICATIONS:** Hitachi's products are not authorized for use in **MEDICAL APPLICATIONS** without the written consent of the appropriate officer of Hitachi's sales company. Such use includes, but is not limited to, use in life support systems. Buyers of Hitachi's products are requested to notify the relevant Hitachi sales offices when planning to use the products in **MEDICAL APPLICATIONS**.

Preface

Thank you for purchasing the PC card interface (HS6000EIP01H) for the E6000 and E8000 emulators.

The PC card interface for the E6000 and E8000 emulators (hereafter called the PC card interface) connects the E6000 or E8000 emulator (hereafter called the emulator) to the host computer that has an interface conforming to the PC card specification TYPE II.

Note: Microsoft® and Windows® are registered trademarks of Microsoft Corporation in the United States and in other countries.

Contents

Section 1	Specifications.....	1
Section 2	Components	2
Section 3	Preparation before Use	3
3.1	Connecting to Host Computer.....	3
3.2	Connecting to the Emulator	4
3.2.1	Connecting to the E6000 Emulator.....	4
3.2.2	Connecting to the E8000 Emulator.....	5
Section 4	Start Up.....	6
Section 5	Notes on Use.....	8

Section 1 Specifications

Table 1 lists the PC card interface specifications.

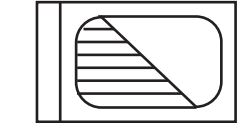
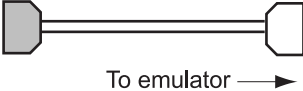
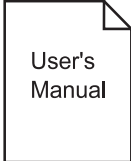
Table 1 PC Card Interface Specifications

Item	Specifications
Host computer	Personal computer conforming to the PCMCIA card specification TYPE II
Operating system for host computer	Microsoft® Windows®95 operating system (the PC card interface does not operate on Microsoft® Windows® operating system version 3.1)
Emulator	Hitachi E6000 emulator or E8000 emulator series
External dimensions	PC card: 54 mm x 85.5 mm x 4.6 mm
Weight	PC card: 29 g
Temperature	Operating: 10°C to 35°C Storage: -10°C to 50°C
Humidity	Operating: 35%RH to 80%RH (no condensation) Storage: 35%RH to 80%RH (no condensation)
Vibration	Operating: 2.45 m/s ² max. Storage: 4.9 m/s ² max. Transportation: 14.7 m/s ² max.
Ambient gases	No corrosive gases
Power-supply voltage	5.0 V ± 0.25 V
Current consumption	100 mA (max.)

Section 2 Components

Table 2 lists the PC card interface components.

Table 2 Components

Item	Product Name	Configuration	Quantity	Remarks
Hardware	PC card interface		1	—
	Interface cable		1	Cable length: 1.5 m
Manual	User's manual (this manual)		1	HS6000EIP01HE

Section 3 Preparation before Use

3.1 Connecting to Host Computer



Always switch OFF the emulator and host computer, and make sure that the PC card interface is correctly oriented in the direction of ◀Insert before connecting or disconnecting the PC CARD INTERFACE. Failure to do so will result in a FIRE HAZARD and will damage the PC card interface, the host computer, and the emulator product or will result in PERSONAL INJURY. The USER PROGRAM will be LOST.

1. Check that the emulator and the host computer are turned off.

CAUTION

When connecting or removing the PC card interface, apply force only in the direction suitable for connection or removal, while making sure not to bend or twist the PC card interface; otherwise the PC card interface will be damaged.

2. Align the PC card interface to the guide in the PC card slot of the host computer, and insert the PC card interface in the direction indicated as ◀Insert on the PC card interface until it locks.

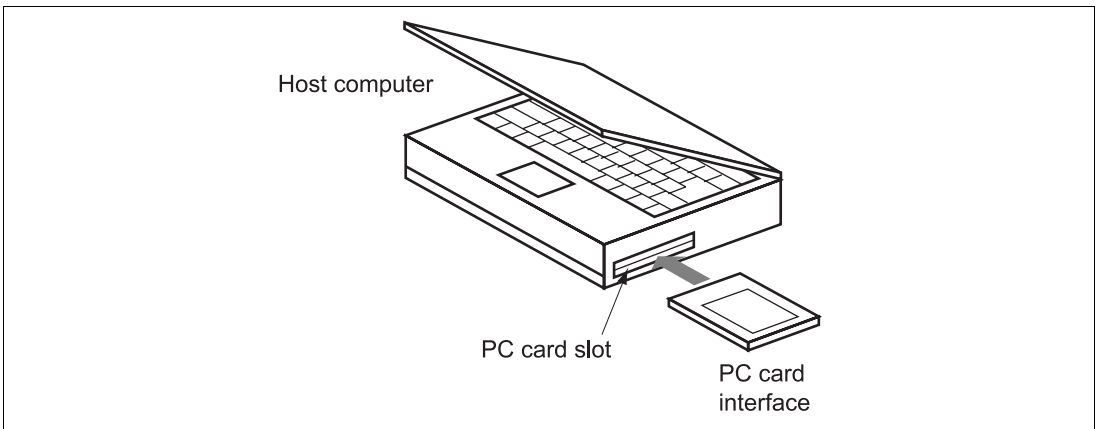


Figure 1 Connecting to Host Computer

3.2 Connecting to the Emulator



Observe the precautions listed below. Failure to do so will result in a FIRE HAZARD and will damage the PC card interface, the host computer, and the emulator product or will result in PERSONAL INJURY. The USER PROGRAM will be LOST.

- 1. Always switch OFF the emulator and host computer before connecting or disconnecting any CABLES, CARDS, or PARTS.**
- 2. Always before connecting the interface cable to the emulator product, make sure that the connectors on both sides are correctly aligned.**

3.2.1 Connecting to the E6000 Emulator

When using the E6000 emulator, use the interface cable supplied together with the PC card interface, and connect the PC card interface to the E6000 emulator station through the interface cable as shown in figure 2.

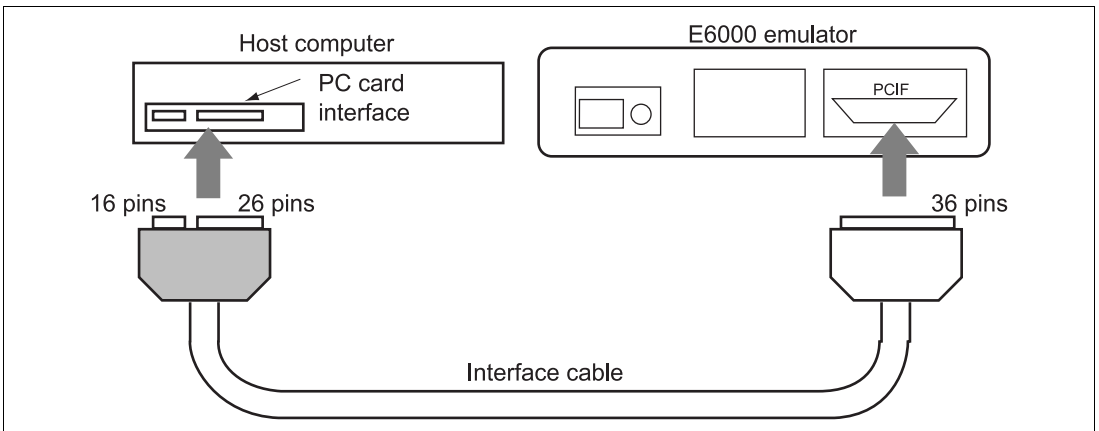


Figure 2 Connecting to E6000 Emulator

3.2.2 Connecting to the E8000 Emulator

When using the E8000 emulator, use the interface cable supplied together with the PC card interface, and connect the PC card interface to the E8000 emulator through the interface cable as shown in figure 3.

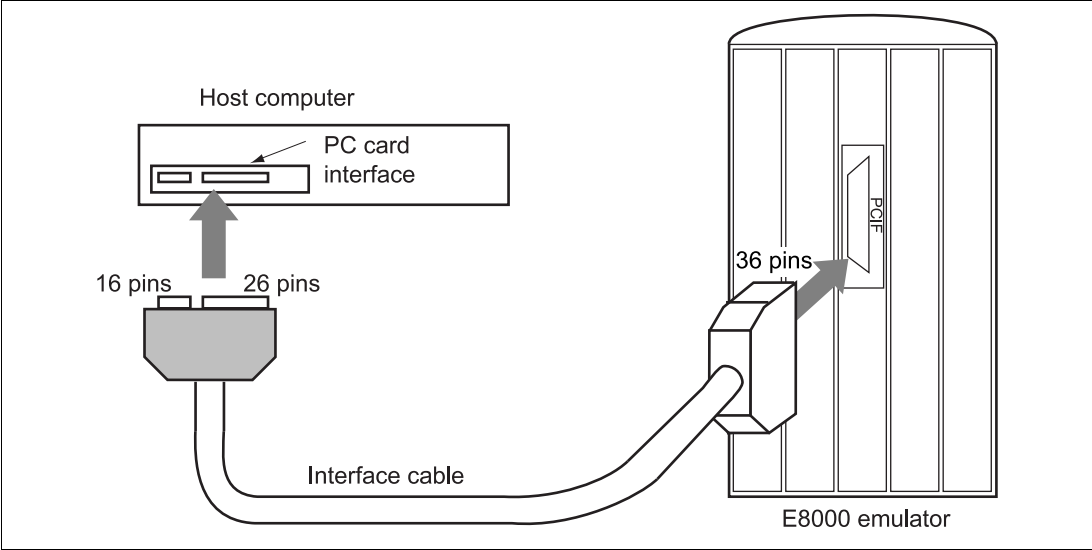


Figure 3 Connecting to E8000 Emulator

Section 4 Start Up

Start up the host computer and the emulator using the following procedure. Here, the E6000 emulator is used for an example; the E8000 emulator can also be started using the same procedure.

1. Install the Hitachi debugging interface (HDI) as the emulator control software in the host computer. Insert the HDI installation disk into the floppy disk drive of the host computer, and execute the SETUP file to install the HDI. For details, refer to the E6000 Emulator User's Manual.
2. After the HDI installation has been completed, remove the installation disk from the host computer, and turn off the host computer.
3. Check that the host computer and emulator are turned off. Insert the PC card interface into the host computer, and connect the emulator to the PC card interface through the interface cable (refer to section 3, Preparation before Use).
4. Turn on the host computer and initiate Windows®. When Windows® has been successfully initiated and the host computer has detected the PC card interface, the message box prompting the user to specify the target driver software will be displayed .



Figure 4 Message Box at Windows® Start-up

5. According to the message on the dialog box, insert the installation disk #1 into the floppy disk drive, and click OK.

6. Turn on the emulator and double-click the HDI icon to initiate the HDI. When the HDI has been initiated successfully, the dialog box shown in figure 5 will be displayed.

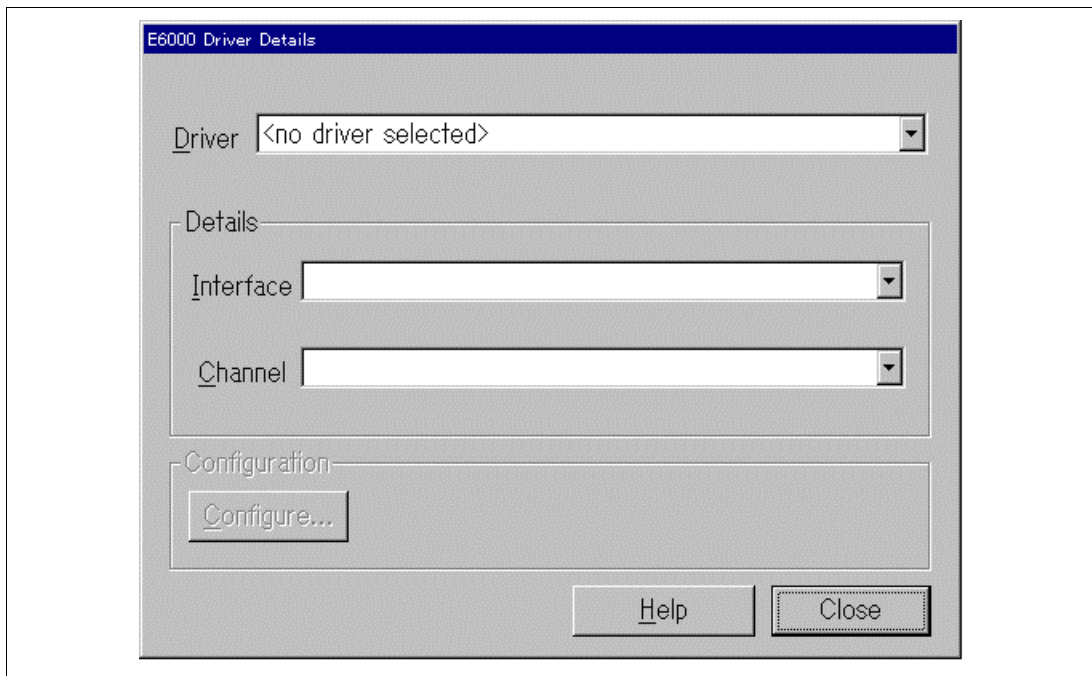


Figure 5 Dialog Box at HDI Start-up

7. Select the PCMCIA on the dialog box, and click OK. The Link up is displayed on the status bar, which shows that the HDI start-up procedure has been completed successfully.

Section 5 Notes on Use

1. This PC card interface is only for use with the Hitachi E6000 or E8000 emulator. Do not use with any other emulator together with the PC card interface.
2. Protect the PC card interface from excessive impacts and stresses. Keep out of direct sunlight, heat, and high humidity.
3. Do not disassemble the PC card interface or interface cable.
4. Be sure to turn off the host computer and the emulator before inserting or removing the PC card interface.