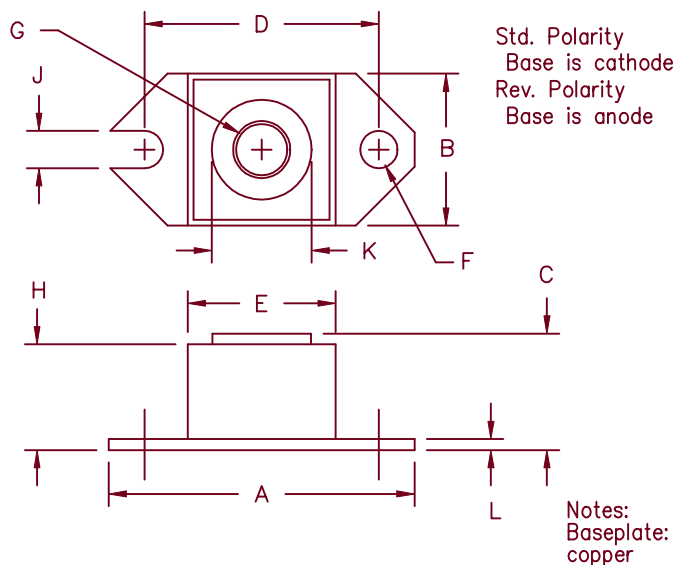


# Ultrafast Recovery Modules

## HU20260 — HU20280

www.DataSheet4U.com



Dim.	Inches		Millimeter		Notes
	Minimum	Maximum	Minimum	Maximum	
A	1.52	1.56	38.86	39.62	
B	.725	.775	18.42	19.69	
C	.605	.625	15.37	15.88	
D	1.177	1.197	29.90	30.41	
E	.745	.755	18.92	19.18	Sq.
F	.152	.162	3.86	4.11	Dia.
G			1/4-20 UNC-2B		
H	.540	.580	13.72	14.73	
J	.152	.162	3.86	4.11	
K	.495	.505	12.57	12.83	Dia.
L	.120	.130	3.05	3.30	

Microsemi Catalog Number	Working Peak Reverse Voltage	Repetitive Peak Reverse Voltage
HU20260*	600V	600V
HU20270*	700V	700V
HU20280*	800V	800V

\*Add Suffix R for Reverse Polarity

- Ultra Fast Recovery
- 175°C Junction Temperature
- 200 Amp current rating

### Electrical Characteristics

Average forward current	$I_{F(AV)}$ 200 Amps	$T_C = 120^\circ C$ , Square wave, $R_{\theta JC} = 0.24^\circ C/W$
Maximum surge current	$I_{FSM}$ 2100 Amps	8.3ms, half sine, $T_J = 175^\circ C$
Max peak forward voltage	$V_{FM}$ 1.35 Volts	$I_{FM} = 200A, T_J = 25^\circ C^*$
Max peak reverse recovery time	$t_{rr}$ 130 nS	$I_F = 1A, V_R = 30V$ di/dt = 25A/ $\mu S$
Max peak reverse current	$I_{RM}$ 8 mA	$V_{RRM}, T_J = 125^\circ C^*$
Max peak reverse current	$I_{RM}$ 50 $\mu A$	$V_{RRM}, T_J = 25^\circ C$
Typical junction capacitance	$C_J$ 400 pF	$V_R = 10V, T_J = 25^\circ C$

\*Pulse test: Pulse width 300 usec, Duty cycle 2%

### Thermal and Mechanical Characteristics

Storage temp range	$T_{STG}$	-55°C to 175°C
Operating junction temp range	$T_J$	-55°C to 175°C
Max thermal resistance	$R_{\theta JC}$	0.24°C/W Junction to case
Typical thermal resistance (greased)	$R_{\theta CS}$	0.12°C/W Case to sink
Terminal Torque		35-40 inch pounds
Mounting Base Torque (outside holes)		20-25 inch pounds
Weight		1.1 ounces (32 grams) typical

# HU20260 — HU20280

www.DataSheet4U.com

Figure 1  
Typical Forward Characteristics

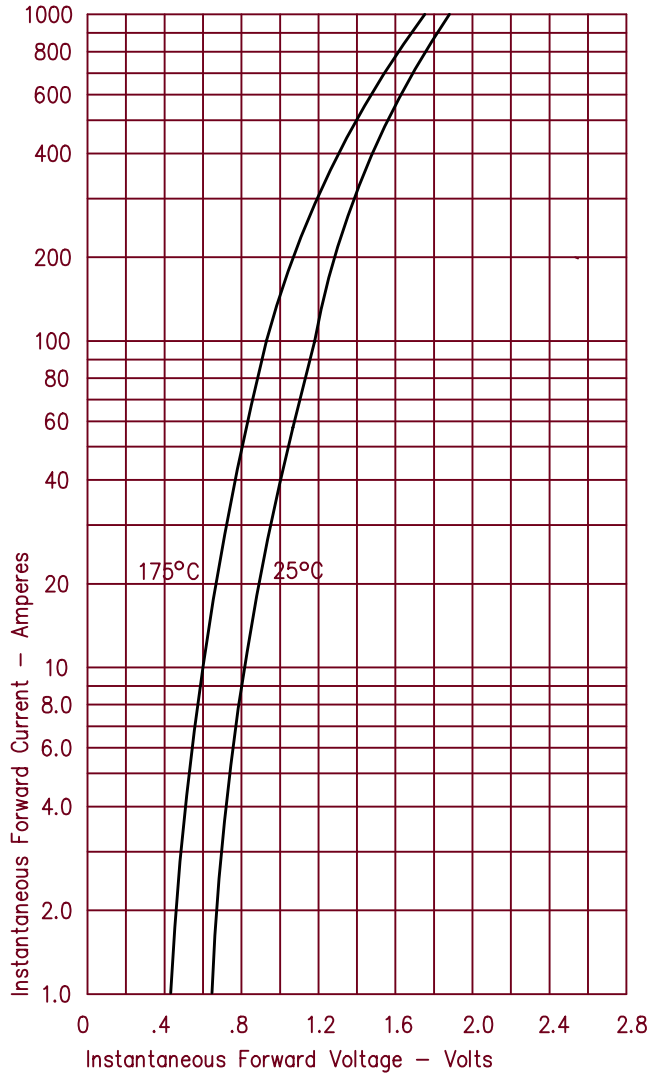


Figure 3  
Typical Junction Capacitance

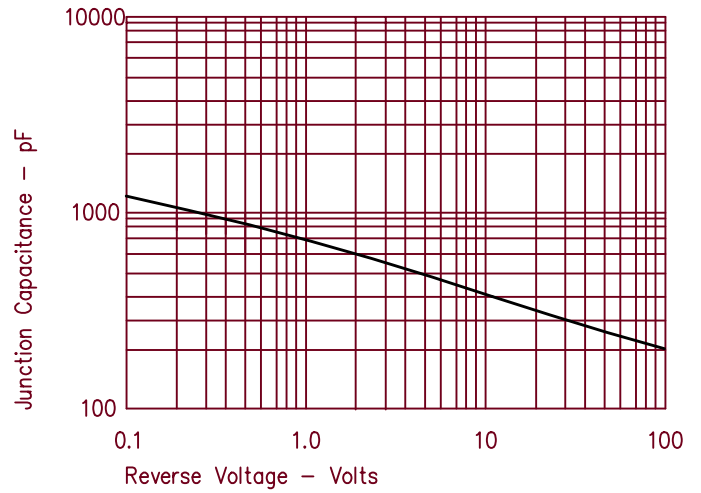


Figure 4  
Forward Current Derating

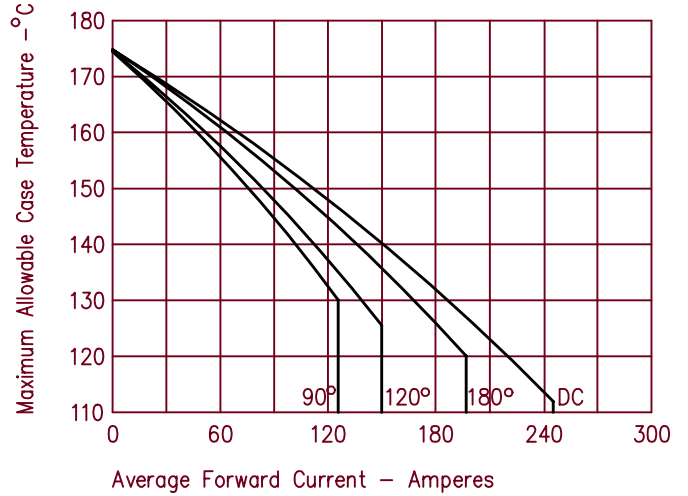


Figure 2  
Typical Reverse Characteristics

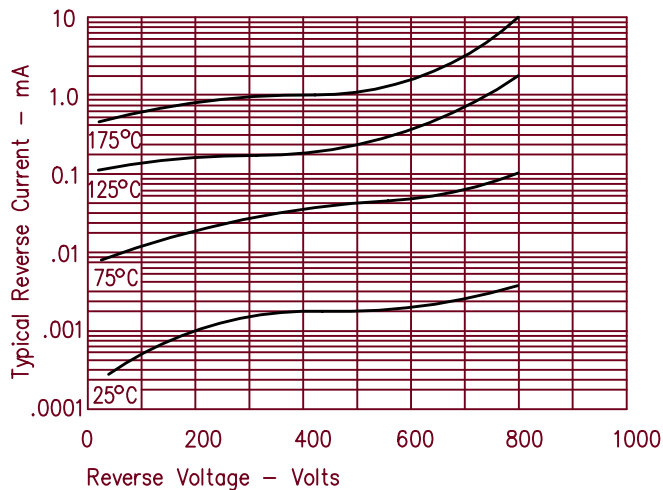
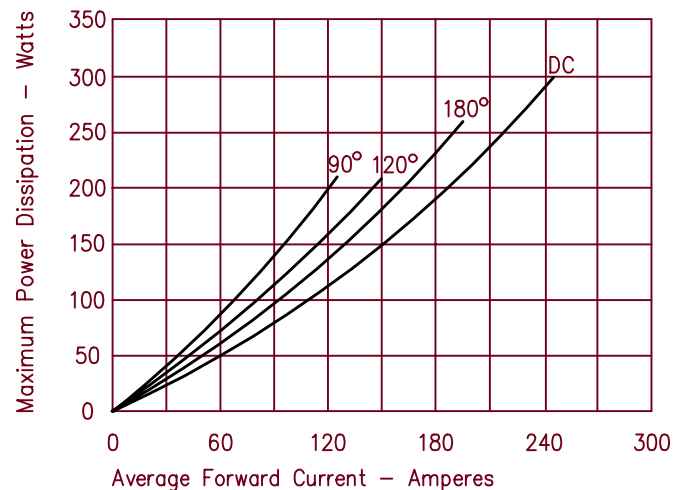


Figure 5  
Maximum Forward Power Dissipation



www.DataSheet4U.com