


## FEATURES

- DC - 2000 MHz
- 3 nSec Transition Time
- Non-Reflective
- Ultra Small TO-5 Package
- Low Cost
- See DS0813-T For Version With Integrated TTL Driver

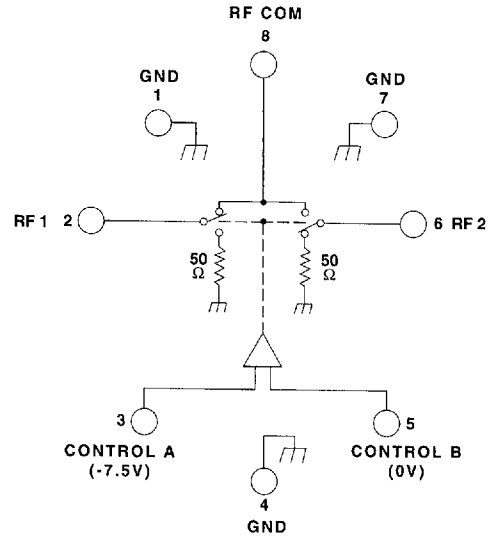
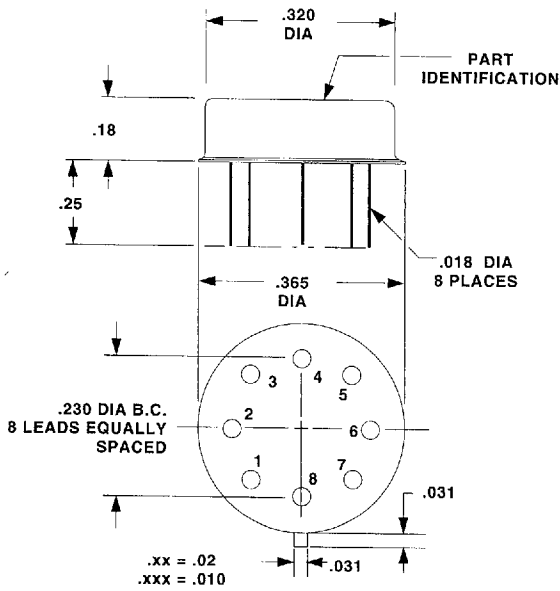


# MODEL NO. DS0850-T

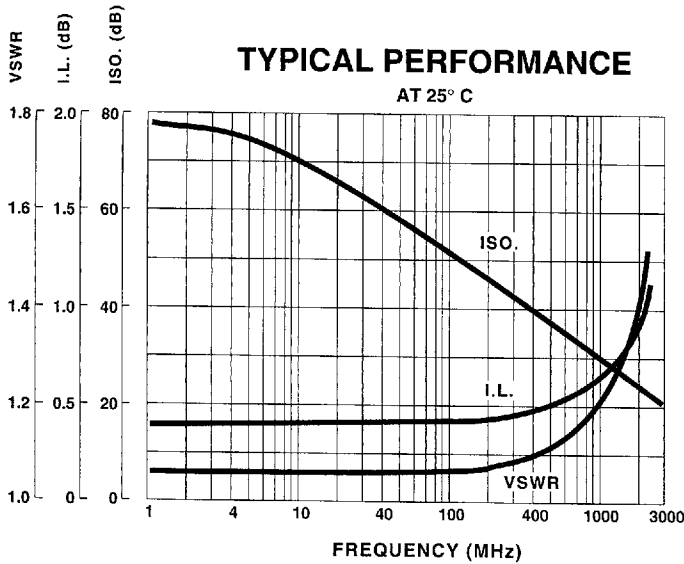
## GaAs SP2T

STOCKED

**SP2T**



CONT A	CONT B	RF COM TO
-7.5V	0V	RF 1
0V	-7.5V	RF 2



### GUARANTEED PERFORMANCE

PARAMETER	MIN	TYP	MAX	UNITS	CONDITIONS
OPERATING FREQUENCY	DC		2000	MHz	
CONTROL TYPE					SEE LOGIC TABLE
CONTROL CURRENT:	HIGH LOW	10 4	-200 +20	μA	V <sub>IH</sub> = -7.5V V <sub>IL</sub> = 0V
INSERTION LOSS		0.7 0.9	0.9 1.2	dB	DC - 500 MHz 500 - 2000 MHz
ISOLATION		40 30 20	50 36 24	dB	DC - 100 MHz 100 - 500 MHz 500 - 2000 MHz
VSWR:	THRU TERMINATION	1.1/1 1.5/1 1.1/1 1.5/1	1.3/1 1.7/1 1.3/1 1.7/1		DC - 500 MHz 500 - 2000 MHz DC - 500 MHz 500 - 2000 MHz
IMPEDANCE		50		OHMS	
TRANSITION (RISE/FALL) TIME		3	10	n SEC	90% / 10% OR 10% / 90% RF
SWITCHING (VIDEO) TRANSIENTS		20		mV	
INTERCEPT POINTS,	2ND 3RD	+68 +41		dBm	
RF POWER:	OPERATE NO DAMAGE	+22	+18 +30	dBm	0.1 dB COMP. ABOVE 100 MHz
OPERATING TEMPERATURE		-55	+25	+125	°C