

# 32-bit Microcontroller

CMOS

## FR60 MB91460 Series

# MB91461

### ■ DESCRIPTION

MB91461 is a line of the general-purpose 32-bit RISC microcontrollers designed for embedded control applications such as consumer devices and vehicle system, which require high-speed real-time processing. MB91461 uses the FR60 CPU compatible with the FR family\* CPUs.

MB91461 contains the LIN-UART and CAN controller.

\* : FR, the abbreviation of FUJITSU RISC controller, is a line of products of FUJITSU Limited.

### ■ FEATURES

#### • FR60 CPU

- 32-bit RISC, load/store architecture, five-stage pipeline
- Maximum operating frequency : 80 MHz (oscillation frequency 20 MHz, oscillation frequency 4 multiplier (PLL clock multiplication method))
- 16-bit fixed-length instructions (basic instructions)
- Instruction execution speed : 1 instruction per cycle
- Instructions including memory-to-memory transfer, bit manipulation instructions, and barrel shift instructions: Instructions suitable for embedded applications
- Function entry/exit instructions and register data multi load store instructions: Instructions supporting C language
- Register interlock function : Facilitating assembly-language coding
- Built-in multiplier with instruction-level support
  - Signed 32-bit multiplication : 5 cycles
  - Signed 16-bit multiplication : 3 cycles
- Interrupt (PC/PS saving) : 6 cycles (16 priority levels)

(Continued)

Be sure to refer to the "Check Sheet" for the latest cautions on development.

"Check Sheet" is seen at the following support page

URL : <http://www.fujitsu.com/global/services/microelectronics/product/micom/support/index.html>

"Check Sheet" lists the minimal requirement items to be checked to prevent problems beforehand in system development.

# MB91460 Series

- Harvard architecture enabling simultaneous execution of both program access and data access
- Instructions compatible with the FR family
- Internal peripheral resources
  - MB91461 does not contain the ROM and flash memory.
  - Internal RAM capacity : Instruction cache 4 Kbytes + 64 Kbytes (Instruction/data common RAM)
  - General-purpose port : Maximum 72 ports
  - DMAC (DMA Controller)
    - Maximum of 5 channels for simultaneous operation is possible. (1 channel for external-to-external)
    - 3 transfer sources (external pin/internal peripheral/software)
    - Activation source can be selected using software.
    - Addressing mode with 32-bit full address indication (increment/decrement/fixe)
    - Transfer mode (demand transfer/burst transfer/step transfer/block transfer)
    - Fly-by transfer support (between external I/O and memory)
    - Transfer data size selection 8/16/32-bit
    - Multi-byte transfer enabled (by software)
    - DMAC descriptor in I/O areas (200<sub>H</sub> to 240<sub>H</sub>, 1000<sub>H</sub> to 1024<sub>H</sub>)
  - A/D converter (sequential comparison)
    - 10-bit resolution: 13 channels
    - Conversion time: 1  $\mu$ s (peripheral macro operation clock at 16.67 MHz)
  - External interrupt input: 16 channels
    - Pins shared with RX pins of CAN0 and CAN1
  - Bit search module (for REALOS)
    - Function of searching for the first "0" data/ "1" data/change bit position in 1 word from the MSB (upper bit)
  - LIN-UART (full duplex double buffer): 7 channels
    - Clock synchronous/asynchronous selectable
    - Sync-break detection
    - Internal dedicated baud rate generator
  - I<sup>2</sup>C\* bus interface (400 kbps supported): 3 channels
    - Master/slave sending and receiving
    - Arbitration function, clock synchronization function
  - CAN controller (C-CAN) : 2 channels
    - Maximum transfer speed : 1 Mbps
    - 32 sent/received message buffers
  - 16-bit PPG timer : 8 channels
  - 16-bit reload timer : 5 channels
  - 16-bit free-run timer : 4 channels (1 channel each for ICU and OCU)
  - Input capture : 4 channels (work with free-run timer)
  - Output compare : 4 channels (work with free-run timer)
  - Watchdog timer
    - Watchdog reset output pin available
  - Real-time clock
  - Low-power consumption mode: Sleep/stop/shutdown mode function

(Continued)

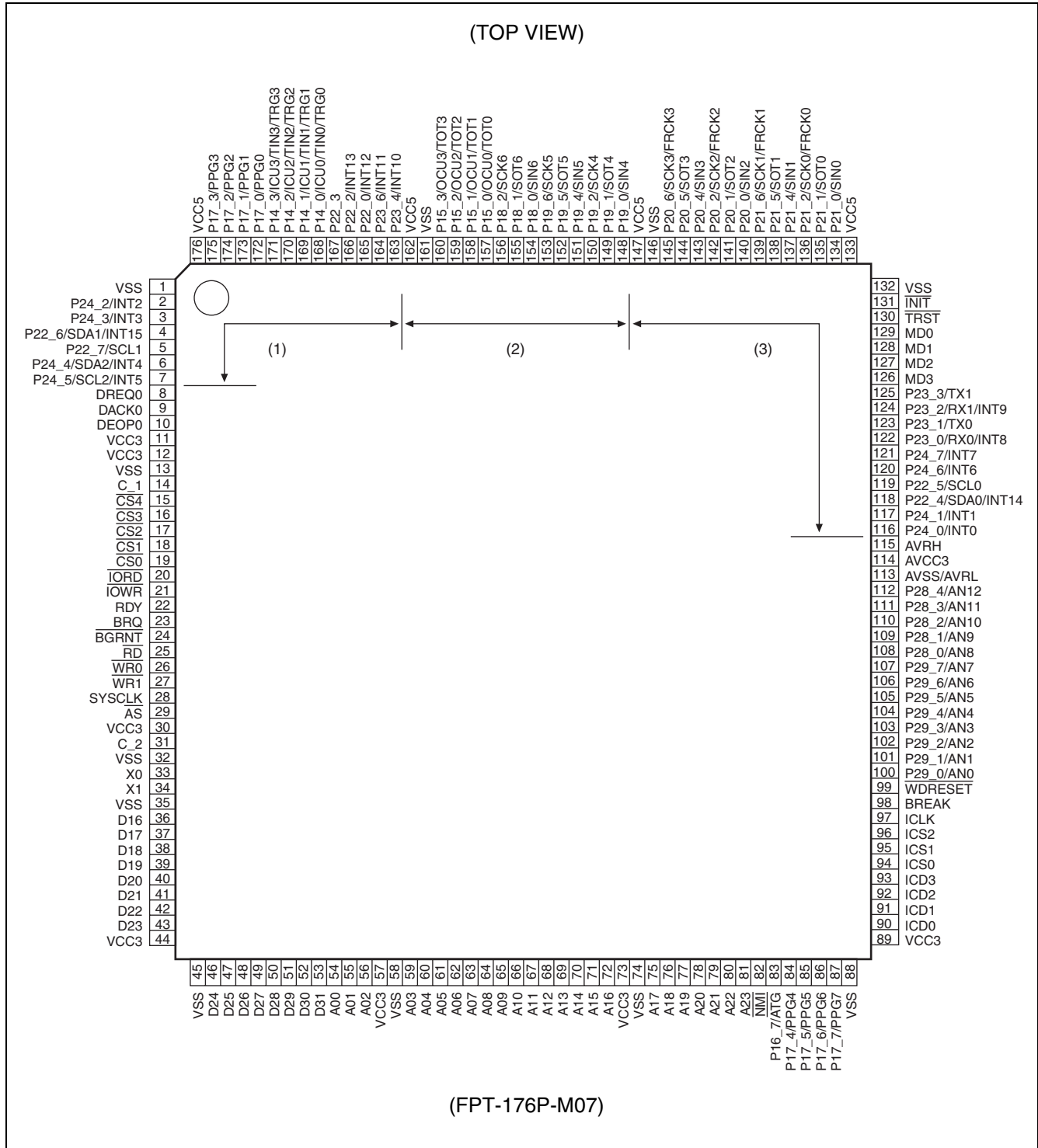
*(Continued)*

- Package : LQFP-176 (FPT-176P-M07)
- CMOS 0.18  $\mu\text{m}$  technology
- 3 V/5 V power supplies [Internal logic is kept at 1.8 V by step-down circuit, some I/Os have the withstand voltage of 5.0 V]
- Operating temperature range : between  $-40^{\circ}\text{C}$  and  $+85^{\circ}\text{C}$

\* : Purchase of Fujitsu I<sup>2</sup>C components conveys a license under the Philips I<sup>2</sup>C Patent Rights to use, these components in an I<sup>2</sup>C system provided that the system conforms to the I<sup>2</sup>C Standard Specification as defined by Philips.

# MB91460 Series

## PIN ASSIGNMENT



Note : (1) to (3) are 3.3 V/5 V pin supported pin, and can set 3.3 V and 5 V to the voltage in each block. I<sup>2</sup>C pin in (1) can be inputted at 5 V power supply. However, 3.3 V of the input threshold value is used as the standard value regardless of the power supply voltage.  
 If 5 V is set in (1) or (2), also set 5 V to (3).

## ■ PIN DESCRIPTION

Pin no.	Pin name	I/O	I/O circuit type*	Function
2	P24_2	I/O	D	General-purpose input/output port
	INT2			External interrupt input pin
3	P24_3	I/O	D	General-purpose input/output port
	INT3			External interrupt input pin
4	P22_6	I/O Open Drain	C	General-purpose input/output port
	SDA1			I <sup>2</sup> C bus data input/output pin
	INT15			External interrupt input pin
5	P22_7	I/O Open Drain	C	General-purpose input/output port
	SCL1			I <sup>2</sup> C bus clock input/output pin
6	P24_4	I/O Open Drain	C	General-purpose input/output port
	SDA2			I <sup>2</sup> C bus data input/output pin
	INT4			External interrupt input pin
7	P24_5	I/O Open Drain	C	General-purpose input/output port
	SCL2			I <sup>2</sup> C bus clock input/output pin
	INT5			External interrupt input pin
8	DREQ0	I	H	DMA external transfer request input
9	DACK0	O	H	DMA external transfer acknowledge output
10	DEOP0	O	H	DMA external transfer EOP (End of Process) output
15	$\overline{CS4}$	O	H	Chip select 4 output
16	$\overline{CS3}$	O	H	Chip select 3 output
17	$\overline{CS2}$	O	H	Chip select 2 output
18	$\overline{CS1}$	O	H	Chip select 1 output
19	$\overline{CS0}$	O	H	Chip select 0 output
20	$\overline{IORD}$	O	H	Read strobe output at DMA fly-by transfer
21	$\overline{IOWR}$	O	H	Write strobe output at DMA fly-by transfer
22	RDY	I	H	External ready input
23	BRQ	I	H	External bus open request input
24	$\overline{BGRNT}$	O	H	External bus open acknowledge output
25	$\overline{RD}$	O	H	External read strobe output
26	$\overline{WR0}$	O	H	External write strobe output
27	$\overline{WR1}$	O	H	External write strobe output
28	SYSCLK	O	H	System clock output
29	$\overline{AS}$	O	H	Address strobe output
33	X0	—	G	Clock (oscillation) input
34	X1	—	G	Clock (oscillation) output

(Continued)

# MB91460 Series

Pin no.	Pin name	I/O	I/O circuit type*	Function
36 to 43 46 to 53	D16 to D31	I/O	H	External data bus signal
54 to 56 59 to 72 75 to 81	A00 to A23	O	H	External address bus signal
82	$\overline{\text{NMI}}$	I	H	NMI (Non Maskable Interrupt) input
83	P16_7	I/O	H	General-purpose input/output port
	$\overline{\text{ATG}}$			A/D converter external trigger input
84 to 87	P17_4 to P17_7	I/O	H	General-purpose input/output ports
	PPG4 to PPG7			PPG timer output pins
90 to 93	ICD0 to ICD3	I/O	H	Data input/output pins for development tool
94 to 96	ICS0 to ICS2	O	H	Status output pins for development tool
97	ICLK	O	I	Clock output pin for development tool
98	BREAK	I	H	Break input pin for development tool
99	$\overline{\text{WDRESET}}$	O	J	Watchdog reset output pin
100 to 107	P29_0 to P29_7	I/O	F	General-purpose input/output ports
	AN0 to AN7			Analog input pins for A/D converter
108 to 112	P28_0 to P28_4	I/O	F	General-purpose input/output ports
	AN8 to AN12			Analog input pins for A/D converter
116, 117	P24_0, P24_1	I/O	D	General-purpose input/output ports
	INT0, INT1			External interrupt input pins. Can be used as a return source from shutdown.
118	P22_4	I/O Open Drain	C	General-purpose input/output port
	SDA0			I <sup>2</sup> C bus data input/output pin
	INT14			External interrupt input pin
119	P22_5	I/O Open Drain	C	General-purpose input/output port
	SCL0			I <sup>2</sup> C bus clock input/output pin
120	P24_6	I/O	D	General-purpose input/output port
	INT6			External interrupt input pin. Can be used as a return source from shutdown.
121	P24_7	I/O	D	General-purpose input/output port
	INT7			External interrupt input pin. Can be used as a return source from shutdown.

(Continued)

# MB91460 Series

Pin no.	Pin name	I/O	I/O circuit type*	Function
122	P23_0	I/O	D	General-purpose input/output port
	RX0			RX input pin of CAN0
	INT8			External interrupt input pin. Can be used as a return source from shutdown.
123	P23_1	I/O	D	General-purpose input/output port
	TX0			TX output pin of CAN0
124	P23_2	I/O	D	General-purpose input/output port
	RX1			RX input pin of CAN1
	INT9			External interrupt input pin. Can be used as a return source from shutdown.
125	P23_3	I/O	D	General-purpose input/output port
	TX1			TX output pin of CAN1
126	MD3	I	A	Mode setting pins
127	MD2	I	A	
128	MD1	I	A	
129	MD0	I	B	
130	$\overline{\text{TRST}}$	I	E	Reset input pin for development tool
131	$\overline{\text{INIT}}$	I	B	External reset input
134	P21_0	I/O	D	General-purpose input/output port
	SIN0			Data input pin of UART0
135	P21_1	I/O	D	General-purpose input/output port
	SOT0			Data output pin of UART0
136	P21_2	I/O	D	General-purpose input/output port
	SCK0			Clock input/output pin of UART0
	FRCK0			External clock input pin of free-run timer0
137	P21_4	I/O	D	General-purpose input/output port
	SIN1			Data input pin of UART1
138	P21_5	I/O	D	General-purpose input/output port
	SOT1			Data output pin of UART1
139	P21_6	I/O	D	General-purpose input/output port
	SCK1			Clock input/output pin of UART1
	FRCK1			External clock input pin of free-run timer1
140	P20_0	I/O	D	General-purpose input/output port
	SIN2			Data input pin of UART2

(Continued)

# MB91460 Series

Pin no.	Pin name	I/O	I/O circuit type*	Function
141	P20_1	I/O	D	General-purpose input/output port
	SOT2			Data output pin of UART2
142	P20_2	I/O	D	General-purpose input/output port
	SCK2			Clock input/output pin of UART2
	FRCK2			External clock input pin of free-run timer2
143	P20_4	I/O	D	General-purpose input/output port
	SIN3			Data input pin of UART3
144	P20_5	I/O	D	General-purpose input/output port
	SOT3			Data output pin of UART3
145	P20_6	I/O	D	General-purpose input/output port
	SCK3			Clock input/output pin of UART3
	FRCK3			External clock input pin of free-run timer3
148	P19_0	I/O	D	General-purpose input/output port
	SIN4			Data input pin of UART4
149	P19_1	I/O	D	General-purpose input/output port
	SOT4			Data output pin of UART4
150	P19_2	I/O	D	General-purpose input/output port
	SCK4			Clock input/output pin of UART4
151	P19_4	I/O	D	General-purpose input/output port
	SIN5			Data input pin of UART5
152	P19_5	I/O	D	General-purpose input/output port
	SOT5			Data output pin of UART5
153	P19_6	I/O	D	General-purpose input/output port
	SCK5			Clock input/output pin of UART5
154	P18_0	I/O	D	General-purpose input/output port
	SIN6			Data input pin of UART6
155	P18_1	I/O	D	General-purpose input/output port
	SOT6			Data output pin of UART6
156	P18_2	I/O	D	General-purpose input/output port
	SCK6			Clock input/output pin of UART6
157 to 160	P15_0 to P15_3	I/O	D	General-purpose input/output ports
	OCU0 to OCU3			Output compare output pins
	TOT0 to TOT3			Reload timer output pins
163	P23_4	I/O	D	General-purpose input/output port
	INT10			External interrupt input pin

(Continued)



# MB91460 Series

(Continued)

Pin no.	Pin name	I/O	I/O circuit type*	Function
164	P23_6	I/O	D	General-purpose input/output port
	INT11			External interrupt input pin
165	P22_0	I/O	D	General-purpose input/output port
	INT12			External interrupt input pin
166	P22_2	I/O	D	General-purpose input/output port
	INT13			External interrupt input pin
167	P22_3	I/O	D	General-purpose input/output port
168 to 171	P14_0 to P14_3	I/O	D	General-purpose input/output ports
	ICU0 to ICU3			Input capture input pins
	TIN0 to TIN3			External trigger input pins of reload timer
	TRG0 to TRG3			External trigger input pins of PPG
172 to 175	P17_0 to P17_3	I/O	D	General-purpose input/output ports
	PPG0 to PPG3			PPG timer output pins

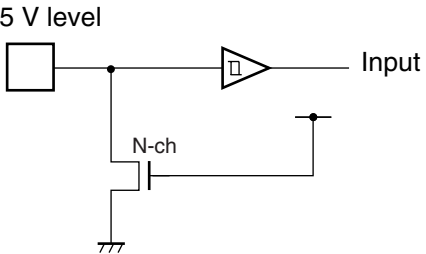
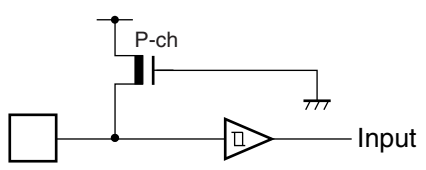
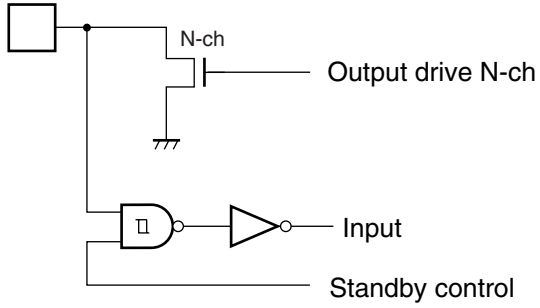
\*: For details of I/O circuit types, refer to “■ I/O CIRCUIT TYPE”.

# MB91460 Series

## [Power supply/GND pins]

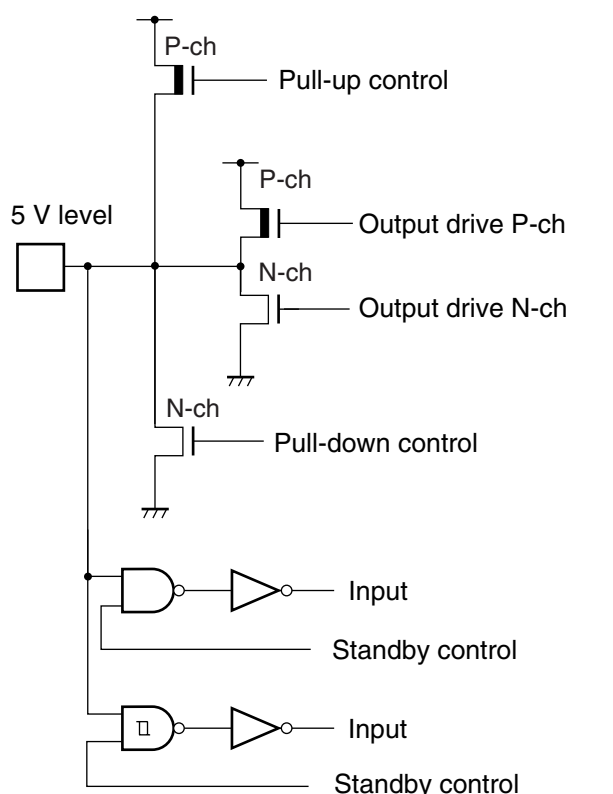
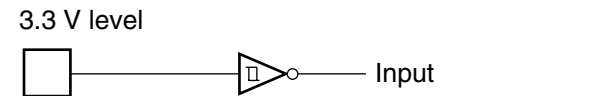
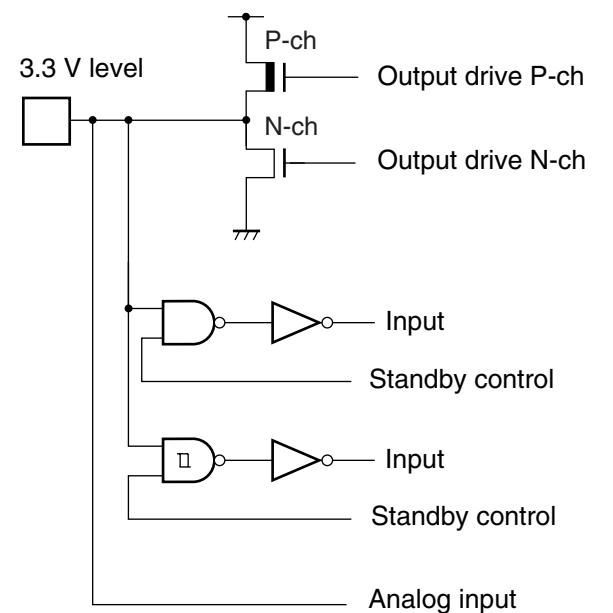
Pin number	Pin name	I/O	Function
1, 13, 32, 35, 45, 58, 74, 88, 132, 146, 161	VSS	(VSS)	GND pins
11, 12, 30, 44, 57, 73, 89	VCC3	(VCC3)	3.3 V power supply pins
133, 147	VCC5	(VCC5)	5 V power supply pins. These pins are I/O power supplies corresponding to 116 to 145 pins. The corresponding I/O pin operates at 3.3 V when supplying 3.3 V, and at 5 V when supplying 5V. Be sure to supply 5 V if more than one 5V operating pin is specified, or 5V is supplied at pin 162 or pin 176.
162	VCC5	(VCC5)	5 V power supply pin. This pin is an I/O power supply corresponding to 148 to 160 pins. The corresponding I/O pin operates at 3.3 V when supplying 3.3 V, and at 5V when supplying 5 V. Be sure to supply 5 V if more than one 5 V operating pin is specified.
176	VCC5	(VCC5)	5 V power supply pin. This pin is an I/O power supply corresponding to 2 to 7 pins. The corresponding I/O pin operates at 3.3 V when supplying 3.3 V, and at 5 V when supplying 5 V. Be sure to supply 5 V if more than one 5 V operating pin is specified.
113	AVSS/AVRL	(AVSS)	Analog GND pin for A/D converter
114	AVCC3	(AVCC3)	3.3 V power supply pin for A/D converter
115	AVRH	(AVRH)	Reference power supply pin for A/D converter
14	C_1	—	Capacitor connection pin for internal regulator. Connect a 4.8 $\mu$ F capacitor.
31	C_2	—	Capacitor connection pin for internal regulator. Connect a 4.8 $\mu$ F capacitor.

## ■ I/O CIRCUIT TYPE

Type	Circuit type	Remarks
A	 <p>5 V level</p> <p>Input</p> <p>N-ch</p>	5 V CMOS hysteresis input
B	 <p>5 V level</p> <p>Input</p> <p>P-ch</p>	5 V CMOS hysteresis input
C	 <p>Output drive N-ch</p> <p>Input</p> <p>Standby control</p> <p>N-ch</p>	Input/output pin for I <sup>2</sup> C $I_{OL} = 3 \text{ mA}$ With stand voltage of 5 V With standby control

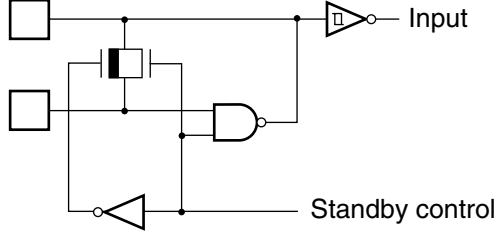
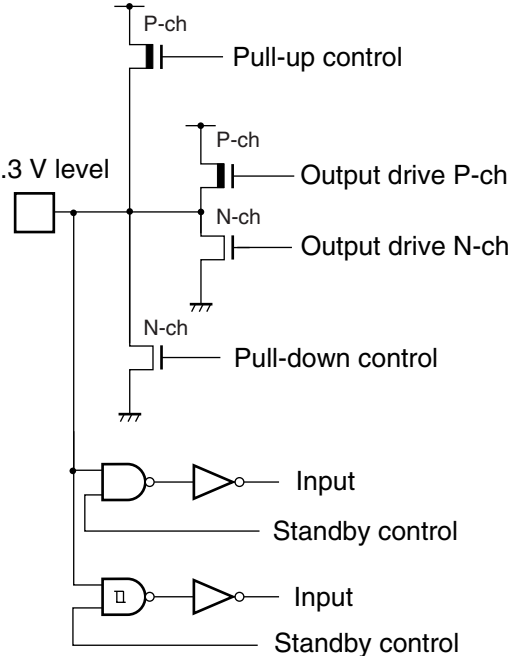
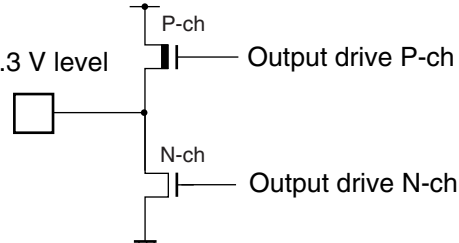
(Continued)

# MB91460 Series

Type	Circuit type	Remarks
D	 <p>5 V level</p> <p>P-ch Pull-up control</p> <p>P-ch Output drive P-ch</p> <p>N-ch Output drive N-ch</p> <p>N-ch Pull-down control</p> <p>Input Standby control</p> <p>Input Standby control</p>	<p>5 V CMOS output  <math>I_{OL} = 4 \text{ mA}</math>            5 V CMOS input            5 V CMOS hysteresis input            With <math>50 \text{ k}\Omega</math> pull-up/pull-down control            With standby control</p>
E	 <p>3.3 V level</p> <p>Input Standby control</p>	<p>3.3 V CMOS hysteresis input            With stand voltage of 5 V            With standby control</p>
F	 <p>3.3 V level</p> <p>P-ch Output drive P-ch</p> <p>N-ch Output drive N-ch</p> <p>Input Standby control</p> <p>Input Standby control</p> <p>Analog input</p>	<p>3.3 V CMOS output  <math>I_{OL} = 4 \text{ mA}</math>            3.3 V CMOS input            3.3 V CMOS hysteresis input            Analog input            With standby control</p>

(Continued)

(Continued)

Type	Circuit type	Remarks
G	<p>3.3 V level</p>  <p>Input</p> <p>Standby control</p>	3.3 V oscillation cell
H	<p>3.3 V level</p>  <p>Pull-up control</p> <p>Output drive P-ch</p> <p>Output drive N-ch</p> <p>Pull-down control</p> <p>Input</p> <p>Standby control</p> <p>Input</p> <p>Standby control</p>	<p>3.3 V CMOS output</p> <p><math>I_{OL} = 4 \text{ mA}</math></p> <p>3.3 V CMOS input</p> <p>3.3 V CMOS hysteresis input</p> <p>With 33 k<math>\Omega</math> pull-up/pull-down control</p> <p>With standby control</p>
I, J	<p>3.3 V level</p>  <p>Output drive P-ch</p> <p>Output drive N-ch</p>	<p>3.3 V CMOS output</p> <p>I : <math>I_{OL} = 8 \text{ mA}</math></p> <p>J : <math>I_{OL} = 4 \text{ mA}</math></p>

# MB91460 Series

## ■ HANDLING DEVICES

### • Preventing Latch-up

Latch-up may occur in a CMOS IC if a voltage higher than  $V_{CC}$  or less than  $V_{SS}$  is applied to an input or output pin or if a voltage exceeding the rating is applied between  $V_{CC}$  pin and  $V_{SS}$  pin. If latch-up occurs, the power supply current increases rapidly, sometimes resulting in thermal breakdown of the device. Therefore, when using a CMOS IC, do not exceed the maximum rating.

### • Handling of unused input pins

If unused input pins are left open, abnormal operation may result. Any unused input pins should be connected to pull-up or pull-down resistor.

### • Power supply pins

When provided with multiple  $V_{CC}$  pins or  $V_{SS}$  pins, the device is designed such that the pins having equal potential are interconnected internally to prevent malfunctions such as latch-up. All of these pins must however be connected to the power supply and ground externally to reduce unwanted radiation, to prevent the strobe signal from malfunctioning due to a rise of ground level, and to follow the total output current standards. In addition,  $V_{CC}$  pin and  $V_{SS}$  pin of this device should be connected from the power supply source with the lowest possible impedance.

It is also recommended to connect a ceramic capacitor of approximately  $0.1 \mu\text{F}$  as a bypass capacitor between  $V_{CC}$  pin and  $V_{SS}$  pin near this device.

This series has a built-in step-down regulator. Connect a bypass capacitor of  $4.7 \mu\text{F}$  to  $C\_1$  and  $C\_2$  pins for the regulator.

### • Crystal oscillator circuit

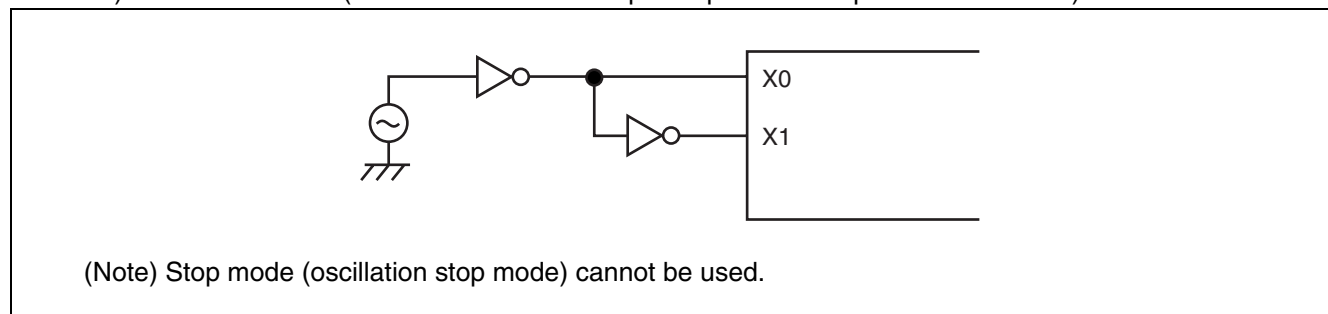
Noise in proximity to the  $X0$  and  $X1$  pins can cause abnormal operation in this device. Printed circuit boards should be designed so that the  $X0$  and  $X1$  pins, and crystal oscillator, as well as bypass capacitors connected to ground, are placed as close together as possible.

The use of printed circuit board architecture in which the  $X0$  and  $X1$  pins are surrounded by ground contributes to stable operation and is strongly recommended.

Please ask the crystal maker to evaluate the oscillational characteristics of the crystal and this device.

### • Notes on using external clock

In principle, when using external clock, supply a clock to the  $X0$  pin and  $X1$  pin simultaneously. Also, an opposite phase clock to the  $X0$  pin must be supplied to the  $X1$  pin. However, in this case the stop mode (oscillation stop mode) must not be used (This is because the  $X1$  pin stops at "H" output in STOP mode).



**Example of using external clock (normal)**

- Mode pins (MD0 to MD3)

When using mode pins, connect them directly to VCC pin or VSS pin. To prevent the device from entering test mode accidentally due to noise, minimize the lengths of the patterns between each mode pin and VCC pin or VSS pin on the printed circuit board as possible and connect them with low impedance.

- Power-on sequences for 3.3 V and 5 V

- Immediately after power-on, keep “L” level input to the  $\overline{\text{INIT}}$  pin for the oscillation stabilization wait time (8 ms) to ensure the oscillation stabilization wait time for the oscillator circuit.
- There is no power-on sequences.
- When executing a reset cancellation (changing  $\overline{\text{INIT}}$  pin from “L” level to “H” level), be sure to execute it while 3 V and 5 V power supplies are stable.

- Caution on operations during PLL clock mode

On this microcontroller, if in case the crystal oscillator breaks off or an external reference clock input stops while the PLL clock mode is selected, a self-oscillator circuit contained in the PLL may continue its operation at its self-running frequency. However, Fujitsu will not guarantee results of operations if such failure occurs.

- External bus setting

This model guarantees the maximum frequency of 40 MHz for the external bus clock SYSCLK.

Setting the base clock frequency to 80 MHz without changing the initial value of DIVR1 (external bus base clock division setting register) sets the external bus frequency also to 80 MHz. Before changing the base clock frequency, set SYSCLK not exceeding 40 MHz.

- Pull-up control

Connecting a pull-up resistor to the pin serving as an external bus pin cannot guarantee the AC standard.

- Notes on PS register

Since some instructions process the PS register in advance, the following exceptional operations may cause a break in the interrupt process routine or an update of display contents of the flag in the PS register when the debugger is being used. In either case, as the device is designed to carry out reprocessing correctly upon returning from such an EIT event, it performs operations before and after the EIT as specified.

- 1) The following operations may be performed when the instruction immediately followed by a DIV0U/DIV0S instruction accepts a user interrupt/NMI, executes a step, or breaks in response to a data event or emulator menu.
  - D0 and D1 flags are updated in advance.
  - An EIT process routine (user interrupt/NMI or emulator) is executed.
  - Upon returning from the EIT, the DIV0U/DIV0S instruction is executed and the D0 and D1 flags are updated to the same values as those in 1).
- 2) The following operations are performed when each instruction of OR CCR, ST ILM, MOV Ri and PS is executed to enable interrupts while a user interrupt/NMI source has been occurring.
  - The PS register is updated in advance.
  - An EIT process routine (user interrupt/NMI or emulator) is executed.
  - Upon returning from the EIT, the above instructions are executed and the PS register is updated to the same value as that in 1).

## ■ NOTES ON DEBUGGER

- Step execution of RETI instruction

In the environment where interrupts occur frequently when stepping, only the corresponding interrupt process routines are executed repeatedly. As the result of that, the main routine and low-interrupt-level programs are not executed (For example, if an interrupt to the time base timer is enabled, a break always occurs at the beginning of the time base routine when stepping RETI) .

Disable the corresponding interrupts when the debug on the corresponding interrupt process routines becomes unnecessary.

- Break function

If the target address of a hardware break (including an event break) is set to the address currently contained in the system stack pointer or in the area containing the stack pointer, the user program causes a break after execution of one instruction even though there is no actual data access instruction in the user program.

To prevent this, do not set (word) access to the area containing the address of the system stack pointer as the target of a hardware break (including an event break).

- Operand break

If a stack pointer exists in the area which is set as the DSU operand break, malfunctions may occur. Do not set the access to the areas containing the address of system stack pointer as a target of data event break.



## ■ DSU4 (ICE) DEDICATED CONNECTION PINS

### MB91461 DSU4 (ICE) dedicated connection pins

Pin no.	Pin name	Function
93 to 90	ICD3 to ICD0	Data input/output pins for development tool
96 to 94	ICS2 to ICS0	Status output pins for development tool
97	ICLK	Clock pin for development tool
98	BREAK	Break pin for development tool
130	$\overline{\text{TRST}}$	Reset pin for development tool (3 V/5 V supported input pin)

- User target side connector and the MB91461 connection

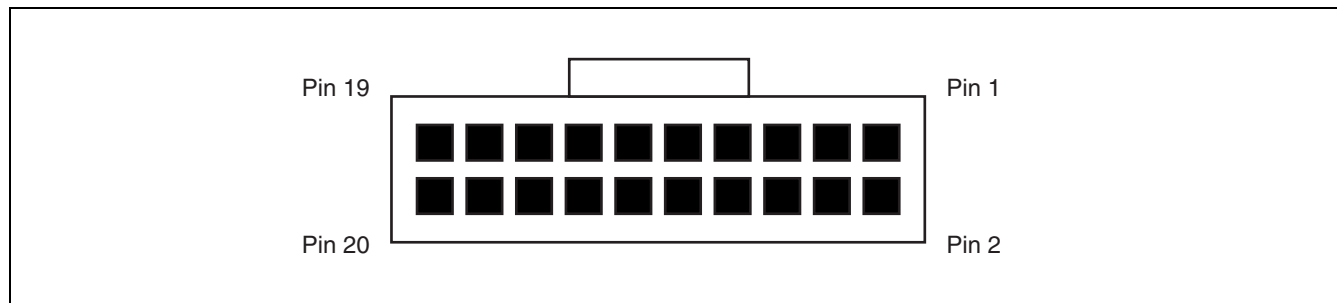
The recommended connector for the user target side is shown below.

Manufacturer : YAMAICHI ELECTRONICS CO., LTD.

Model number : FAP-20-08#\*

Note : The asterisk (\*) in the model number represents each of the following pin shapes:

- 1 : Right angle/wrapping
- 2 : Right angle/solder dip
- 4 : Straight/solder dip



# MB91460 Series

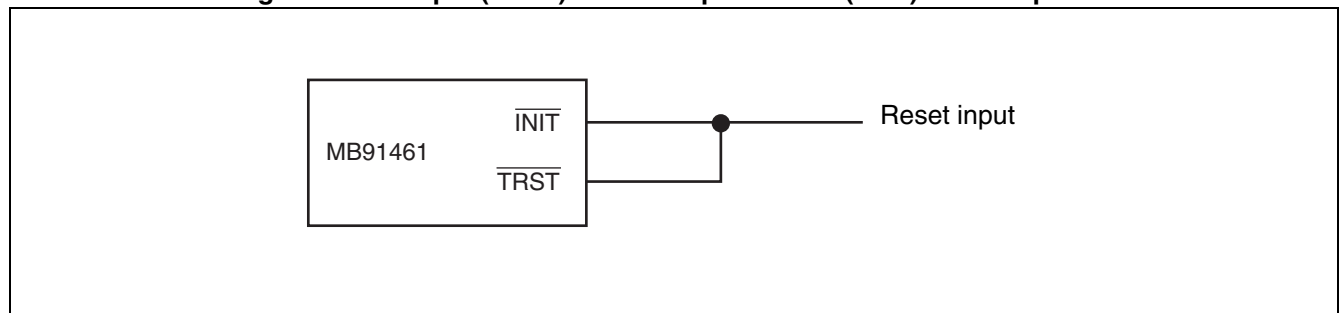
Connector pin no.	Signal line name	I/O	Pin handling	
1	EVCC2	I	Open	
2	EVCC3	I	Open	
3	DSUIO	I/O	Open	
4	UVCC	O	User V <sub>CC</sub> output	
6	XRSTIN	O	Connected to user circuit $\overline{\text{INIT}}$ signal	
8	PLVL	I	Open	
5	XTRST	I	MB91461	Connected to $\overline{\text{TRST}}$ (130 pin)
7	XINIT	I		Connected to $\overline{\text{INIT}}$ (131 pin)
9	GND	—		Connected to VSS
10	BREAK	I		Connected to BREAK (98 pin)
11	ICD3	I/O		Connected to ICD3 (93 pin)
12	ICD2			Connected to ICD2 (92 pin)
13	ICD1			Connected to ICD1 (91 pin)
14	ICD0			Connected to ICD0 (90 pin)
15	GND	—		Connected to VSS
16	ICS2	O		Connected to ICS2 (96 pin)
17	ICS1			Connected to ICS1 (95 pin)
18	ICS0			Connected to ICS0 (94 pin)
19	GND	—		Connected to VSS
20	ICLK	O		Connected to ICLK (97 pin)

## Handling of dedicated pin for DSU4 (ICE) in mass production

### Handling of dedicated pin for DSU4 (ICE) in mass production

MB91461 pin no.	Pin name	Pin handling
93 to 90	ICD3 to ICD0	Open
96 to 94	ICS2 to ICS0	Open
97	ICLK	Open
98	BREAK	Open
130	$\overline{\text{TRST}}$	Connected to $\overline{\text{INIT}}$ (131 pin: external reset input pin)

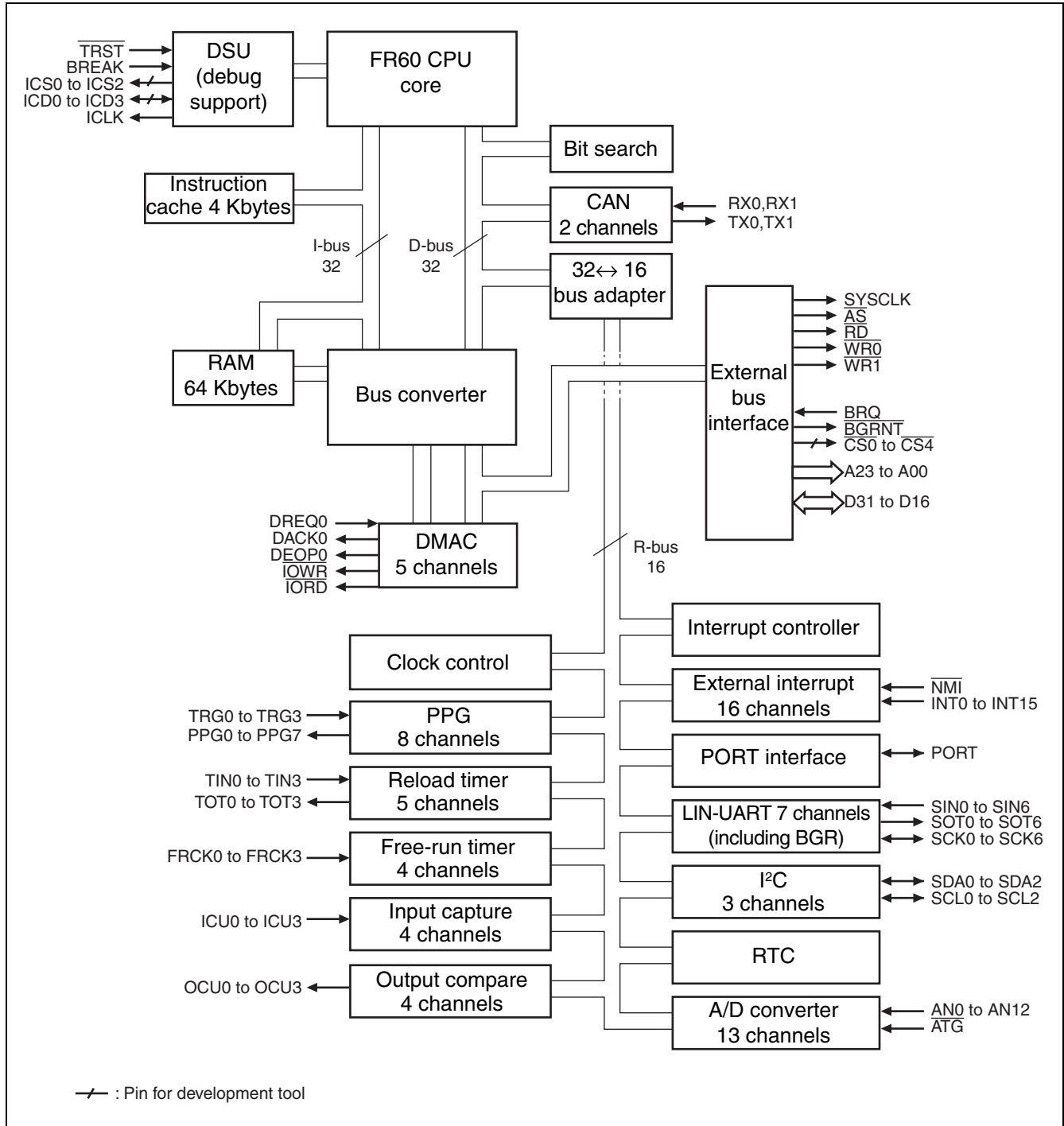
### Connection handling of the reset pin ( $\overline{\text{TRST}}$ ) for development tool (DSU) in mass production



Since the reset pin ( $\overline{\text{TRST}}$ ) for development tool is the input pin supporting 3V/5V, it can be connected to  $\overline{\text{INIT}}$  pin directly.

# MB91460 Series

## ■ BLOCK DIAGRAM



## ■ CPU AND CONTROL UNIT

The FR family CPU is a high performance core that is designed based on the RISC architecture with advanced instructions for embedded applications.

### 1. Features

- Adoption of RISC architecture  
Basic instruction: 1 instruction per cycle
- General-purpose registers: 32-bit × 16 registers
- 4 Gbytes linear memory space
- Multiplier installed  
32-bit × 32-bit multiplication: 5 cycles  
16-bit × 16-bit multiplication: 3 cycles
- Enhanced interrupt processing function  
Quick response speed (6 cycles)  
Multiple-interrupt support  
Level mask function (16 levels)
- Enhanced instructions for I/O operation  
Memory-to-memory transfer instruction  
Bit processing instruction
- Basic instruction word length: 16 bits
- Low-power consumption  
Sleep mode/stop mode/shutdown mode

# MB91460 Series

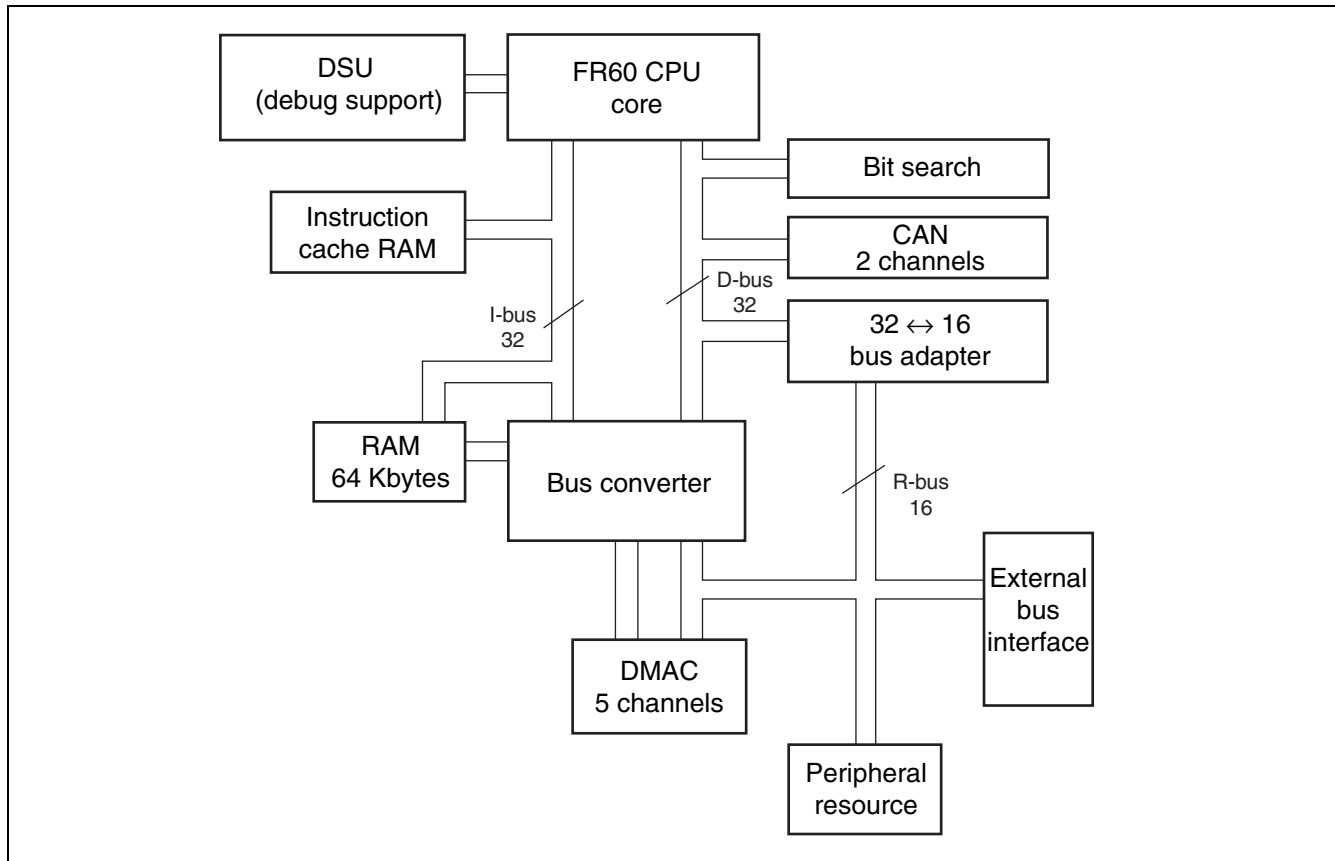
## 2. Internal architecture

The FR family CPU uses the Harvard architecture in which the instruction bus and data bus are independent of each other.

A 32-bit ↔ 16-bit bus adapter is connected to the 32-bit bus (D-bus) to provide an interface between the CPU and peripheral resources.

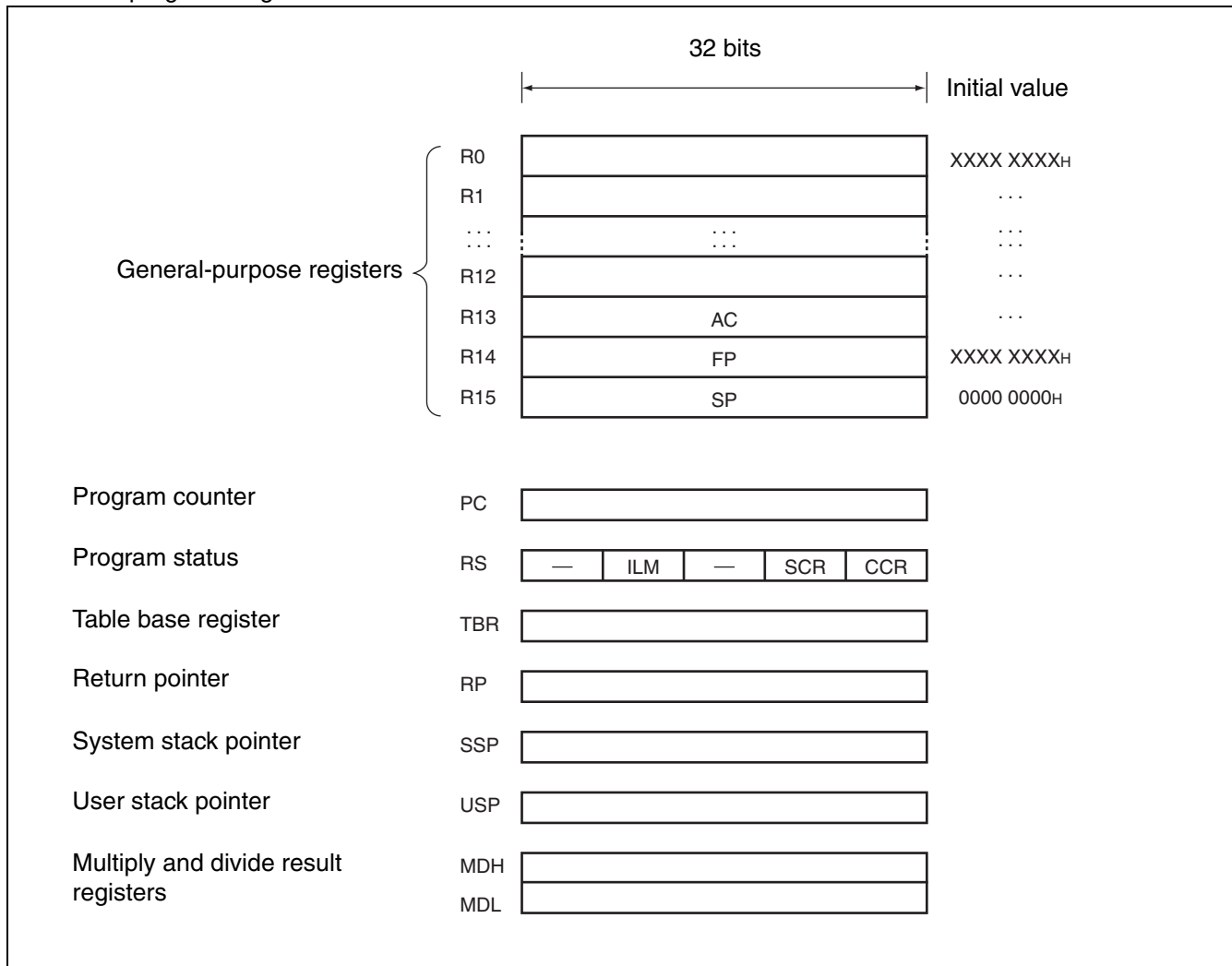
A Harvard ↔ Princeton bus converter is connected to both the I-bus and D-bus to provide an interface between the CPU and the bus controller.

The following figure shows the internal architecture structure.



## 3. Programming model

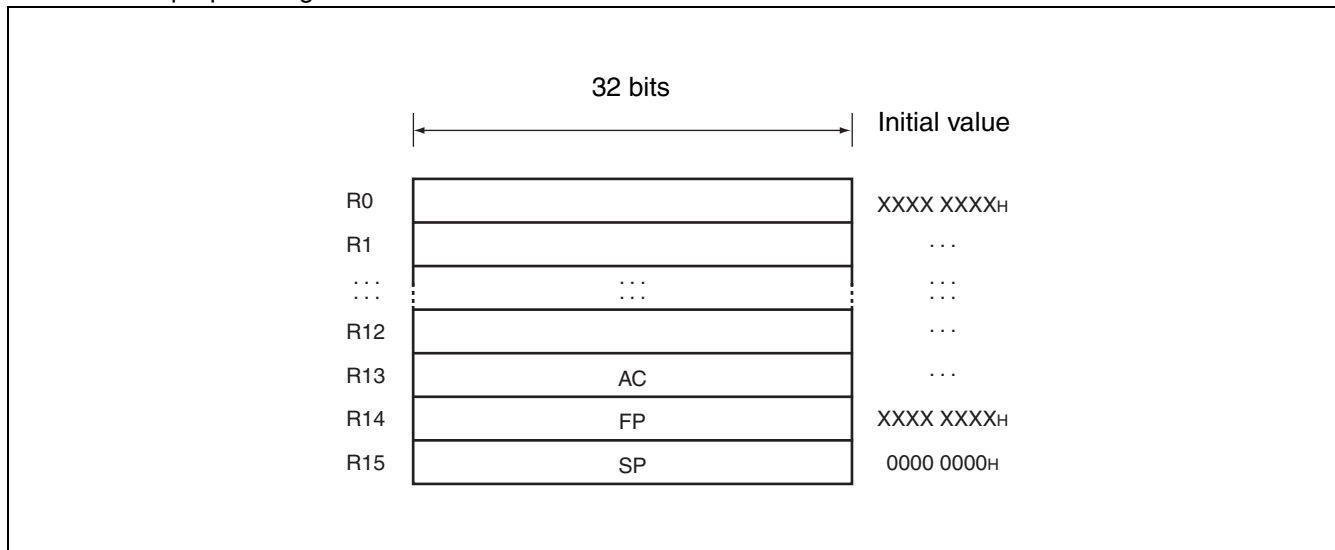
- Basic programming model



# MB91460 Series

## 4. Registers

- General-purpose register



Registers R0 to R15 are general-purpose registers. These registers can be used as accumulators for computation operations and as pointers for memory access.

Of the 16 registers, enhanced commands are provided for the following registers to enable their use for particular applications.

R13 : Virtual accumulator

R14 : Frame pointer

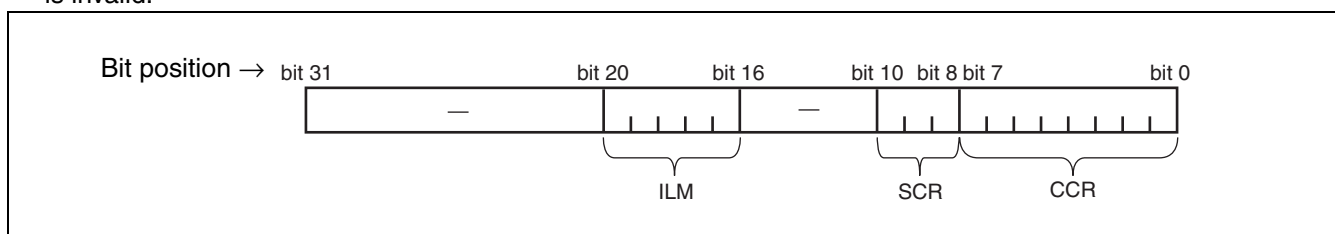
R15 : Stack pointer

Initial values at reset are undefined for R0 to R14. The value for R15 is 00000000H (SSP value).

- PS (Program Status)

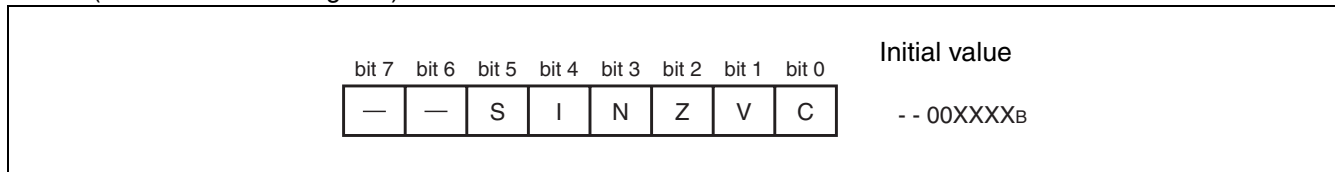
This register holds the program status, and is divided into three parts, ILM, SCR, and CCR.

All undefined bits (-) in the diagram are reserved bits. The read values are always "0". Write access to these bits is invalid.



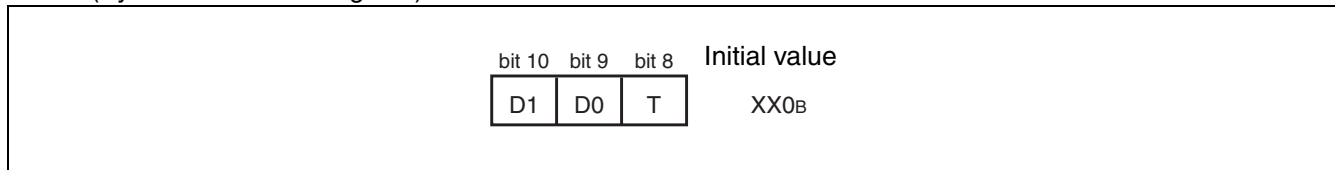


- CCR (Condition Code Register)



- S : Stack flag
- I : Interrupt enable flag
- N : Negative enable flag
- Z : Zero flag
- V : Overflow flag
- C : Carry flag

- SCR (System Condition Register)



Flag for step multiplication (D1, D0)

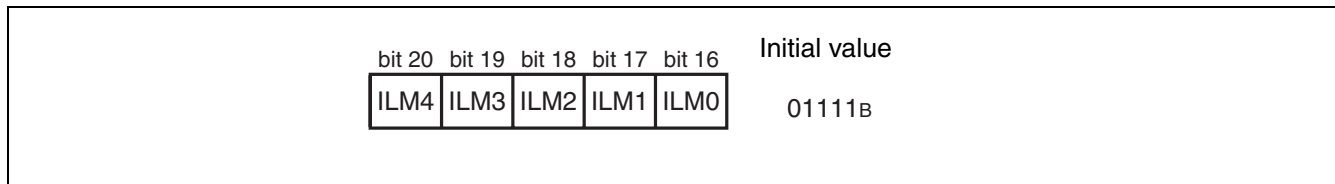
This flag stores interim data during execution of step multiplication.

Step trace trap flag (T)

This flag indicates whether the step trace trap is enabled or disabled.

The step trace trap function is used by emulators. When an emulator is in use, it cannot be used in execution of user programs.

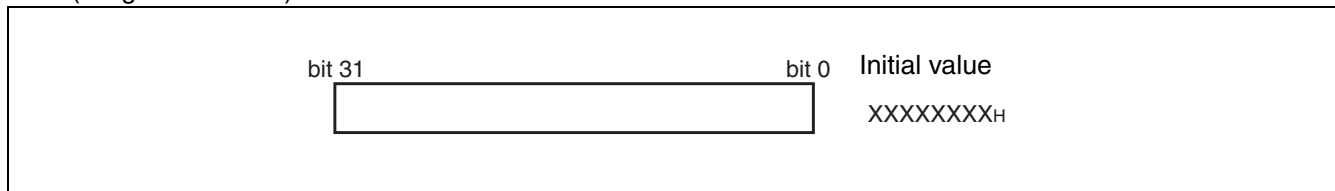
- ILM



This register stores interrupt level mask values, and the values stored in ILM4 to ILM0 are used for level masking.

The register is initialized to value "01111B" at reset.

- PC (Program Counter)

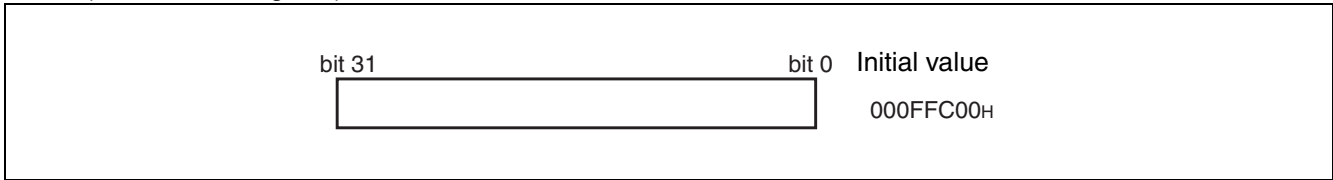


The program counter indicates the address of the instruction that is being executed.

The initial value at reset is undefined.

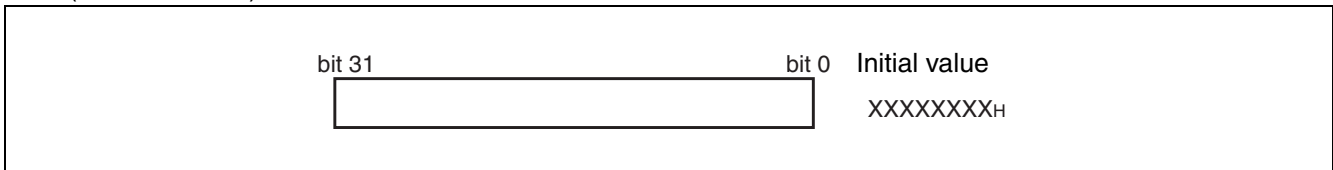
# MB91460 Series

- TBR (Table Base Register)



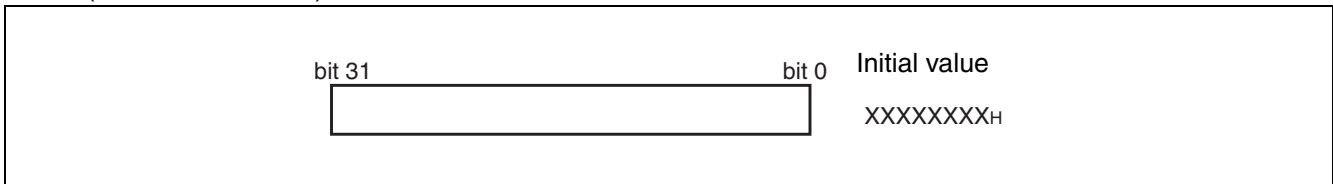
The table base register stores the starting address of the vector table used in EIT processing.  
The initial value at reset is 000FFC00H.

- RP (Return Pointer)



The return pointer stores the address for return from subroutines.  
During execution of a CALL instruction, the PC value is transferred to this RP register.  
During execution of a RET instruction, the contents of the RP register are transferred to PC.  
The initial value at reset is undefined.

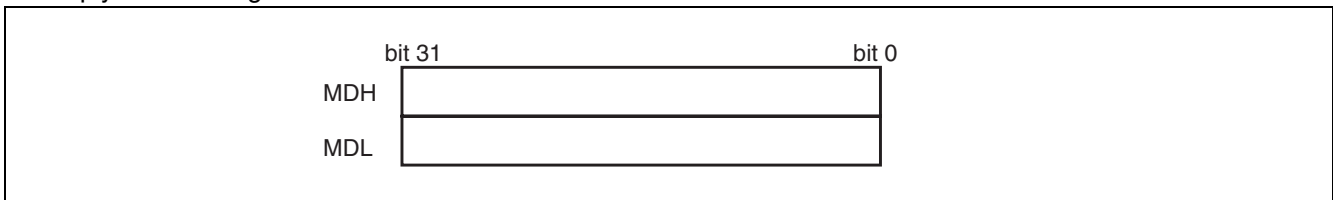
- USP (User Stack Pointer)



The user stack pointer, when the S flag is "1", this register functions as the R15 register.

- The USP register can also be explicitly specified.  
The initial value at reset is undefined.
- This register cannot be used with RETI instructions.

- Multiply & divide registers



These registers are for multiplication and division, and are each 32 bits in length.  
The initial value at reset is undefined.

## MODE SETTING

In the FR family, the mode pins (MD2, MD1, MD0) and the mode register (MODR) are used to set the operating mode.

### 1. Mode pins

The three pins MD2, MD1, MD0 are used to specify the mode vector fetch related settings.

Settings other than shown in the table are not allowed.

Mode pins*			Mode name	Reset vector access area	Remarks
MD2	MD1	MD0			
0	0	0	Internal ROM mode vector	Internal	Not allowed
0	0	1	External ROM mode vector	External	Bus width is set by mode register.

\* : Always use MD3 with "0".

Note : The FR family does not support the external mode vector fetch using multiplex bus.

### 2. Mode register (MODR)

The data written to the mode register using mode vector fetch is called mode data.

After the mode register (MODR) is set, the device operates according to the operation mode set in this register.

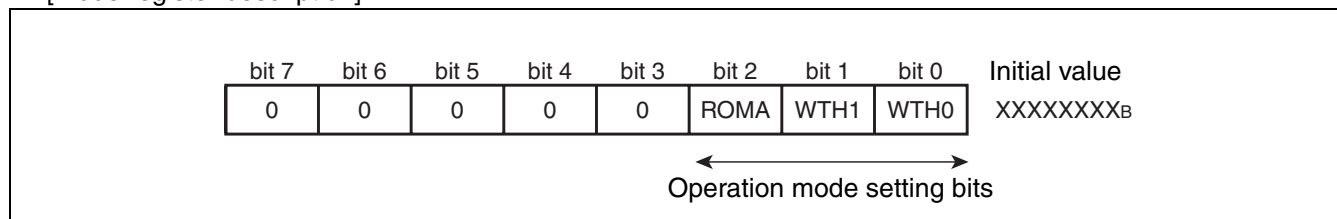
The mode register is set by all reset sources. User programs cannot write data to the mode register.

Rewriting is allowed in the emulator mode. In this case, use an 8-bit length data transfer instruction.

A 16/32-bit length transfer instruction cannot be used for writing.

Description of the mode register is given below.

[Mode register description]



#### [bit7 to bit3] Reserved bits

Be sure to set these bits to "00000<sub>B</sub>".

Operation is not guaranteed when any value other than "00000<sub>B</sub>" is set.

#### [bit2] ROMA (Internal enable bit)

The ROMA bit is used to set whether to enable the internal F-bus RAM and F-bus ROM areas.

ROMA	Function	Remarks
0	External ROM mode	Internal F-bus RAM becomes valid. The internal ROM area (40000 <sub>H</sub> to FFFFF <sub>H</sub> ) is used as an external area.
1	Internal ROM mode	Internal F-bus RAM and F-bus ROM become valid.

Note : Use "0" in MB91461.

# MB91460 Series

## [bit1, bit0] WTH1, WTH0 (Bus width setting bits)

These bits are used to set the bus width to be used in the external bus mode.

When the operation mode is the external bus mode, these values are set in bits BW1 and BW0 in AMD0 (CS0 area).

WTH1	WTH0	Function	Remarks
0	0	8-bit bus width	External bus mode
0	1	16-bit bus width	External bus mode
1	0	—	Setting disabled
1	1	Single chip mode	Setting disabled

## ■ MEMORY SPACE

### 1. Memory space

The FR family has 4 Gbytes of logical address space ( $2^{32}$  addresses) available to the CPU by linear access.

- Direct addressing area

The following address space area is used for I/O.

This area is called direct addressing area, and the address of an operand can be specified directly in an instruction.

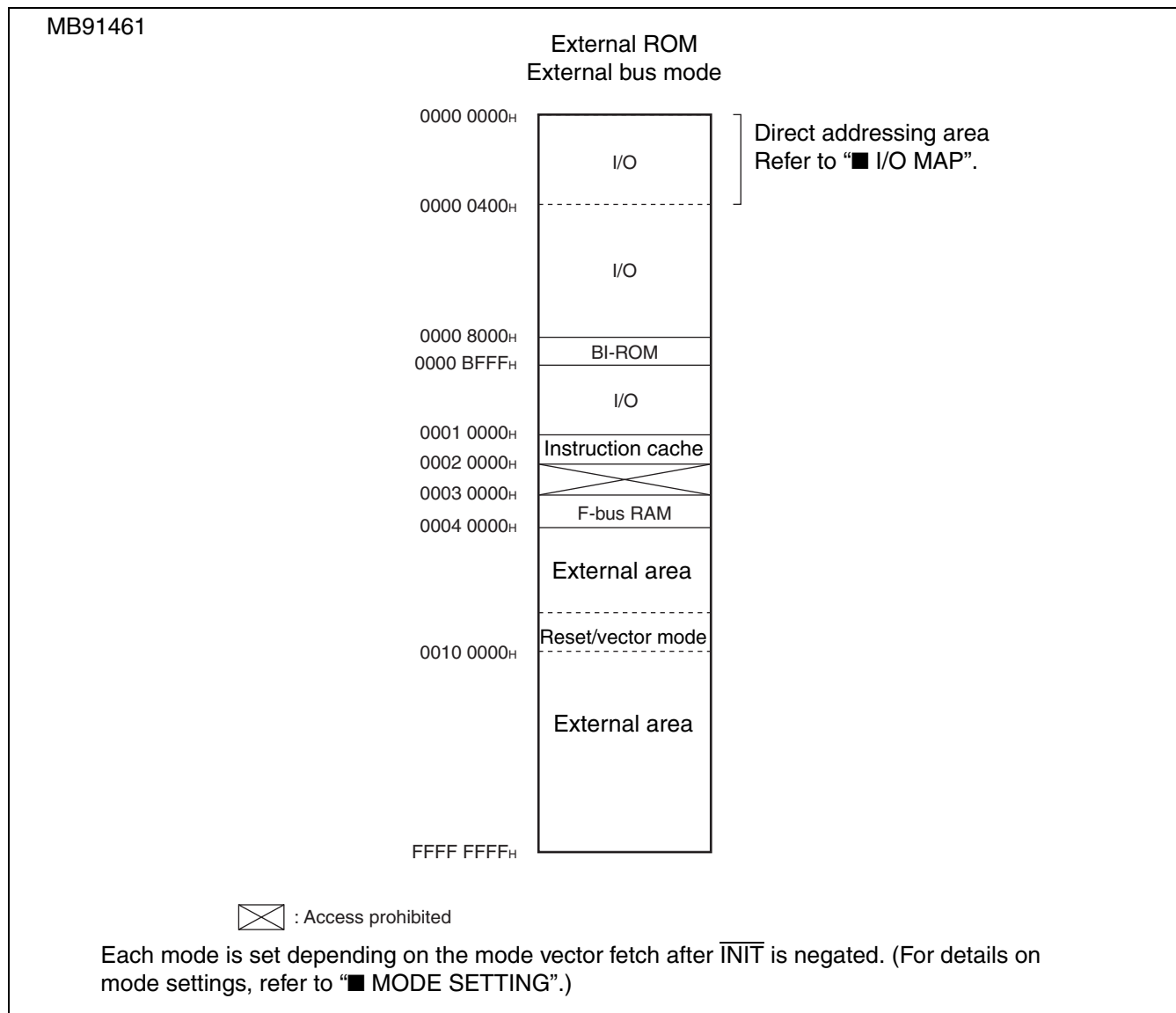
The size of directly addressable area depends on the length of the data being accessed as shown below.

Byte data access : 000<sub>H</sub> to 0FF<sub>H</sub>

Half word access : 000<sub>H</sub> to 1FF<sub>H</sub>

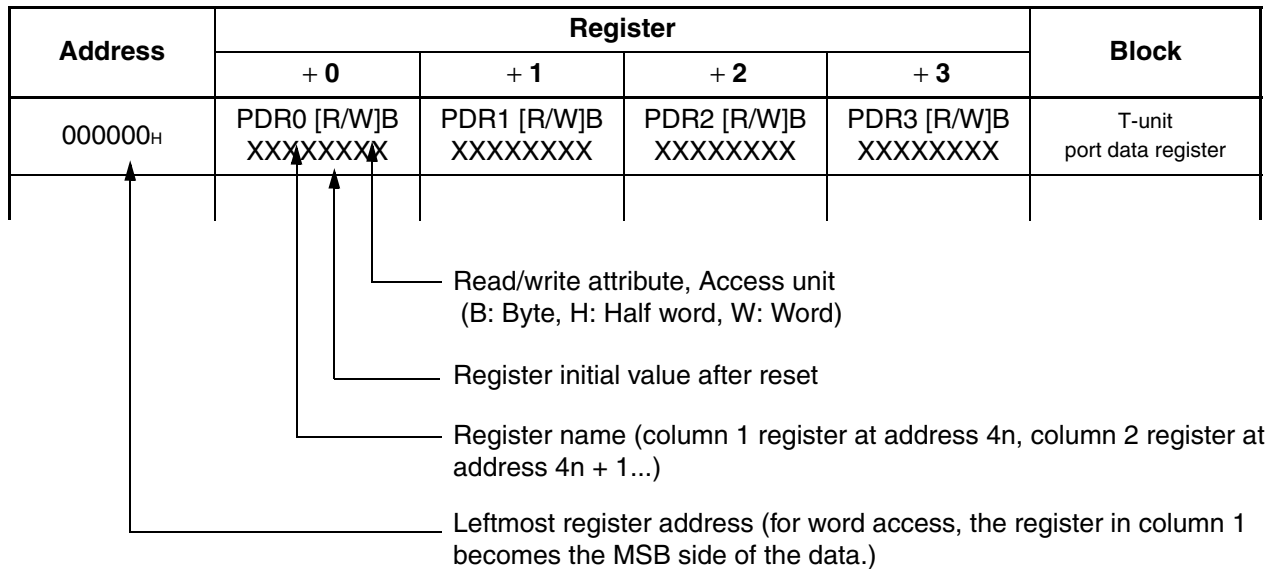
Word data access : 000<sub>H</sub> to 3FF<sub>H</sub>

### 2. Memory map



# MB91460 Series

## ■ I/O MAP



Note : Initial values of register bits are represented as follows:

“ 1 ” : Initial value “ 1 ”

“ 0 ” : Initial value “ 0 ”

“ X ” : Initial value “ undefined ”

“ - ” : No physical register at this location

Access is barred with an undefined data access attribute.

# MB91460 Series

Address	Register				Block
	0	1	2	3	
000000H	Reserved				R-bus port data register
000004H	Reserved				
000008H	Reserved				
00000CH	Reserved		PDR14 [R/W] B,H ----XXXX	PDR15 [R/W] B,H ----XXXX	
000010H	PDR16 [R/W] B,H X-----	PDR17 [R/W] B,H XXXXXXXXXX	PDR18 [R/W] B,H ----XXX	PDR19 [R/W] B,H -XXX-XXX	
000014H	PDR20 [R/W] B,H -XXX-XXX	PDR21 [R/W] B,H -XXX-XXX	PDR22 [R/W] B,H XXXXXX-X	PDR23 [R/W] B,H -X-XXXXX	
000018H	PDR24 [R/W] B,H XXXXXXXXXX	Reserved			
00001CH	PDR28 [R/W] B,H ---XXXXX	PDR29 [R/W] B,H XXXXXXXXXX	Reserved		
000020H	Reserved				
000024H to 00002CH	Reserved				Reserved
000030H	EIRR0 [R/W] B 00000000	ENIR0 [R/W] B 00000000	ELVR0 [R/W] B,H 00000000 00000000		External interrupt (INT0 to INT7) NMI
000034H	EIRR1 [R/W] B 00000000	ENIR1 [R/W] B 00000000	ELVR1 [R/W] B,H 00000000 00000000		External interrupt (INT 8 to INT15 )
000038H	DICR [R/W] B -----0	HRCL [R/W] B 0--11111	Reserved		Delay interrupt
00003CH	Reserved				Reserved
000040H	SCR00 [R/W,W] B,H,W 00000000	SMR00 [R/W,W] B,H,W 00000000	SSR00 [R/W,R] B,H,W 00001000	RDR00/TDR00 [R/W] B,H,W 00000000	UART (LIN) 0
000044H	ESCR00 [R/W] B,H 00000X00	ECCR00 [R/W,R,W] B,H -00000XX	Reserved		
000048H	SCR01 [R/W,W] B,H,W 00000000	SMR01 [R/W,W] B,H,W 00000000	SSR01 [R/W,R] B,H,W 00001000	RDR01/TDR01 [R/W] B,H,W 00000000	LIN-UART 1
00004CH	ESCR01 [R/W] B,H 00000X00	ECCR01 [R/W,R,W] B,H -00000XX	Reserved		

(Continued)

# MB91460 Series

Address	Register				Block
	0	1	2	3	
000050 <sub>H</sub>	SCR02 [R/W,W] B,H,W 00000000	SMR02 [R/W,W] B,H,W 00000000	SSR02 [R/W,R] B,H,W 00001000	RDR02/TDR02 [R/W] B,H,W 00000000	LIN-UART 2
000054 <sub>H</sub>	ESCR02 [R/W]B,H 00000X00	ECCR02 [R/W,R,W] B,H -00000XX	Reserved		
000058 <sub>H</sub>	SCR03 [R/W,W] B,H,W 00000000	SMR03 [R/W,W] B,H,W 00000000	SSR03 [R/W,R] B,H,W 00001000	RDR03/TDR03 [R/W] B,H,W 00000000	LIN-UART 3
00005C <sub>H</sub>	ESCR03 [R/W] B,H 00000X00	ECCR03 [R/W,R,W] B,H -00000XX	Reserved		
000060 <sub>H</sub>	SCR04 [R/W,W] B,H,W 00000000	SMR04 [R/W,W] B,H,W 00000000	SSR04 [R/W,R] B,H,W 00001000	RDR04/TDR04 [R/W] B,H,W 00000000	LIN-UART 4
000064 <sub>H</sub>	ESCR04 [R/W] B,H,W 00000X00	ECCR04 [R/W,R,W] B,H,W -00000XX	FSR04 [R] B,H,W ---00000	FCR04 [R/W] B,H,W 0001-000	
000068 <sub>H</sub>	SCR05 [R/W,W] B,H,W 00000000	SMR05 [R/W,W] B,H,W 00000000	SSR05 [R/W,R] B,H,W 00001000	RDR05/TDR05 [R/W] B,H,W 00000000	LIN-UART 5
00006C <sub>H</sub>	ESCR05 [R/W] B,H,W 00000X00	ECCR05 [R/W,R,W] B,H,W -00000XX	FSR05 [R] B,H,W ---00000	FCR05 [R/W] B,H,W 0001-000	
000070 <sub>H</sub>	SCR06 [R/W,W] B,H,W 00000000	SMR06 [R/W,W] B,H,W 00000000	SSR06 [R/W,R] B,H,W 00001000	RDR06/TDR06 [R/W] B,H,W 00000000	LIN-UART 6
000074 <sub>H</sub>	ESCR06 [R/W] B,H,W 00000X00	ECCR06 [R/W,R,W] B,H,W -00000XX	FSR06 [R] B,H,W ---00000	FCR06 [R/W] B,H,W 0001-000	
000078 <sub>H</sub> to 00007C <sub>H</sub>	Reserved				Reserved
000080 <sub>H</sub>	BGR100 [R/W] B,H,W 00000000	BGR000 [R/W] B,H,W 00000000	BGR101 [R/W] B,H,W 00000000	BGR001 [R/W] B,H,W 00000000	Baud rate generator UART (LIN) 0 to 6
000084 <sub>H</sub>	BGR102 [R/W] B,H,W 00000000	BGR002 [R/W] B,H,W 00000000	BGR103 [R/W] B,H,W 00000000	BGR003 [R/W] B,H,W 00000000	
000088 <sub>H</sub>	BGR104 [R/W] B,H,W 00000000	BGR004 [R/W] B,H,W 00000000	BGR105 [R/W] B,H,W 00000000	BGR005 [R/W] B,H,W 00000000	

(Continued)



# MB91460 Series

Address	Register				Block
	0	1	2	3	
00008 <sub>H</sub>	BGR106 [R/W] B,H,W 00000000	BGR006 [R/W] B,H,W 00000000	Reserved		Baud rate generator UART (LIN) 0 to 6
00009 <sub>H</sub> to 0000C <sub>H</sub>	Reserved				Reserved
0000D <sub>H</sub>	IBCR0 [R/W] B,H 00000000	IBSR0 [R] B,H 00000000	ITBAH0 [R/W] B,H -----00	ITBAL0 [R/W] B,H 00000000	I <sup>2</sup> C 0
0000D4 <sub>H</sub>	ITMKH0 [R/W] B,H 00----11	ITMKL0 [R/W] B,H 11111111	ISMK0 [R/W] B,H 01111111	ISBA0 [R/W] B,H -0000000	
0000D8 <sub>H</sub>	Reserved	IDAR0 [R/W] B,H 00000000	ICCR0 [R/W] B -0011111	Reserved	
0000DC <sub>H</sub>	IBCR1 [R/W] B,H 00000000	IBSR1 [R] B,H 00000000	ITBAH1 [R/W] B,H -----00	ITBAL1 [R/W] B,H 00000000	
0000E <sub>H</sub>	ITMKH1 [R/W] B,H 00----11	ITMKL1 [R/W] B,H 11111111	ISMK1 [R/W] B,H 01111111	ISBA1 [R/W] B,H -0000000	I <sup>2</sup> C 1
0000E4 <sub>H</sub>	Reserved	IDAR1 [R/W] B,H 00000000	ICCR1 [R/W] B -0011111	Reserved	
0000E8 <sub>H</sub> to 0000F <sub>H</sub>	Reserved				Reserved
00010 <sub>H</sub>	GCN10 [R/W] B,H 00110010 00010000		Reserved	GCN20 [R/W] B ----0000	PPG control 0 to 3
000104 <sub>H</sub>	GCN11 [R/W] B,H 00110010 00010000		Reserved	GCN21 [R/W] B ----0000	PPG control 4 to 7
000108 <sub>H</sub>	Reserved				Reserved
00011 <sub>H</sub>	PTMR0 [R] H 11111111 11111111		PCSR0 [W] H XXXXXXXX XXXXXXXX		PPG 0
000114 <sub>H</sub>	PDUT0 [W] H XXXXXXXX XXXXXXXX		PCNH0 [R/W] B,H 00000000	PCNL0 [R/W] B,H 000000-0	
000118 <sub>H</sub>	PTMR01 [R] H 11111111 11111111		PCSR01 [W] H XXXXXXXX XXXXXXXX		PPG 1
00011C <sub>H</sub>	PDUT01 [W] H XXXXXXXX XXXXXXXX		PCNH01 [R/W] B,H 00000000	PCNL01 [R/W] B,H 000000-0	
00012 <sub>H</sub>	PTMR02 [R] H 11111111 11111111		PCSR02 [W] H XXXXXXXX XXXXXXXX		PPG 2
000124 <sub>H</sub>	PDUT02 [W] H XXXXXXXX XXXXXXXX		PCNH02 [R/W] B,H 00000000	PCNL02 [R/W] B,H 000000-0	

(Continued)

# MB91460 Series

Address	Register				Block
	0	1	2	3	
000128 <sub>H</sub>	PTMR03 [R] H 11111111 11111111		PCSR03 [W] H XXXXXXXX XXXXXXXX		PPG 3
00012C <sub>H</sub>	PDUT03 [W] H XXXXXXXX XXXXXXXX		PCNH03 [R/W] B,H 00000000	PCNL03 [R/W] B,H 000000-0	
000130 <sub>H</sub>	PTMR04 [R] H 11111111 11111111		PCSR04 [W] H XXXXXXXX XXXXXXXX		PPG 4
000134 <sub>H</sub>	PDUT04 [W] H XXXXXXXX XXXXXXXX		PCNH04 [R/W] B,H 00000000	PCNL04 [R/W] B,H 000000-0	
000138 <sub>H</sub>	PTMR05 [R] H 11111111 11111111		PCSR05 [W] H XXXXXXXX XXXXXXXX		PPG 5
00013C <sub>H</sub>	PDUT05 [W] H XXXXXXXX XXXXXXXX		PCNH05 [R/W] B,H 00000000	PCNL05 [R/W] B,H 000000-0	
000140 <sub>H</sub>	PTMR06 [R] H 11111111 11111111		PCSR06 [W] H XXXXXXXX XXXXXXXX		PPG 6
000144 <sub>H</sub>	PDUT06 [W] H XXXXXXXX XXXXXXXX		PCNH06 [R/W] B,H 00000000	PCNL06 [R/W] B,H 000000-0	
000148 <sub>H</sub>	PTMR07 [R] H 11111111 11111111		PCSR07 [W] H XXXXXXXX XXXXXXXX		PPG 7
00014C <sub>H</sub>	PDUT07 [W] H XXXXXXXX XXXXXXXX		PCNH07 [R/W] B,H 00000000	PCNL07 [R/W] B,H 000000-0	
000170 <sub>H</sub> to 00017C <sub>H</sub>	Reserved				Reserved
000180 <sub>H</sub>	Reserved	ICS01 [R/W] B 00000000	Reserved	ICS23 [R/W] B 00000000	Input capture 0 to 3
000184 <sub>H</sub>	IPCP0 [R] H XXXXXXXX XXXXXXXX		IPCP1 [R] H XXXXXXXX XXXXXXXX		
000188 <sub>H</sub>	IPCP2 [R] H XXXXXXXX XXXXXXXX		IPCP3 [R] H XXXXXXXX XXXXXXXX		
00018C <sub>H</sub>	OCS01 [R/W] 11101100 00001100		OCS23 [R/W] 11101100 00001100		Output compare 0 to 3
000190 <sub>H</sub>	OCCP0 [R/W] H XXXXXXXX XXXXXXXX		OCCP1 [R/W] H XXXXXXXX XXXXXXXX		
000194 <sub>H</sub>	OCCP2 [R/W] H XXXXXXXX XXXXXXXX		OCCP3 [R/W] H XXXXXXXX XXXXXXXX		

(Continued)

# MB91460 Series

Address	Register				Block
	0	1	2	3	
000198 <sub>H</sub> to 00019C <sub>H</sub>	Reserved				Reserved
0001A0 <sub>H</sub>	ADERH [R/W] B,H,W 00000000 00000000		ADERL [R/W] B,H,W 00000000 00000000		A/D converter
0001A4 <sub>H</sub>	ADCS1 [R/W] B,H 00000000	ADCS0 [R/W] B,H 00000000	ADCR1 [R] B,H 000000XX	ADCR0 [R] B,H XXXXXXXXXX	
0001A8 <sub>H</sub>	ADCT1 [R/W] B,H 00010000	ADCT0 [R/W] B,H 00101100	ADSCH [R/W] B,H ---00000	ADECH [R/W] B,H ---00000	
0001AC <sub>H</sub>	Reserved				Reserved
0001B0 <sub>H</sub>	TMRLR0 [W] H XXXXXXXXXX XXXXXXXXX		TMR0 [R] H XXXXXXXXXX XXXXXXXXX		Reload timer 0 (PPG 0, 1)
0001B4 <sub>H</sub>	Reserved		TMCSRC0 [R/W] B,H ---00000	TMCSRC0 [R/W] B,H 0-000000	
0001B8 <sub>H</sub>	TMRLR1 [W] H XXXXXXXXXX XXXXXXXXX		TMR1 [R] H XXXXXXXXXX XXXXXXXXX		Reload timer 1 (PPG 2, 3)
0001BC <sub>H</sub>	Reserved		TMCSRC1 [R/W] B,H ---00000	TMCSRC1 [R/W] B,H 0-000000	
0001C0 <sub>H</sub>	TMRLR2 [W] H XXXXXXXXXX XXXXXXXXX		TMR2 [R] H XXXXXXXXXX XXXXXXXXX		Reload timer 2 (PPG 4, 5)
0001C4 <sub>H</sub>	Reserved		TMCSRC2 [R/W] B,H ---00000	TMCSRC2 [R/W] B,H 0-000000	
0001C8 <sub>H</sub>	TMRLR3 [W] H XXXXXXXXXX XXXXXXXXX		TMR3 [R] H XXXXXXXXXX XXXXXXXXX		Reload timer 3 (PPG 6, 7)
0001CC <sub>H</sub>	Reserved		TMCSRC3 [R/W] B,H ---00000	TMCSRC3 [R/W] B,H 0-000000	
0001D0 <sub>H</sub> to 0001E4 <sub>H</sub>	Reserved				Reserved
0001E8 <sub>H</sub>	TMRLR7 [W] H XXXXXXXXXX XXXXXXXXX		TMR7 [R] H XXXXXXXXXX XXXXXXXXX		Reload timer 7 (A/D converter)
0001EC <sub>H</sub>	Reserved		TMCSRC7 [R/W] B,H ---00000	TMCSRC7 [R/W] B,H 0-000000	
0001F0 <sub>H</sub>	TCDT0 [R/W] H XXXXXXXXXX XXXXXXXXX		Reserved	TCCS0 [R/W] -0000000	Free-run timer 0 (ICU 0, 1)

(Continued)

# MB91460 Series

Address	Register				Block
	0	1	2	3	
0001F4 <sub>H</sub>	TCDT1 [R/W] H XXXXXXXX XXXXXXXX		Reserved	TCCS1 [R/W] -0000000	Free-run timer 1 (ICU 2, 3)
0001F8 <sub>H</sub>	TCDT2 [R/W] H XXXXXXXX XXXXXXXX		Reserved	TCCS2 [R/W] -0000000	Free-run timer 2 (OCU 0, 1)
0001FC <sub>H</sub>	TCDT3 [R/W] H XXXXXXXX XXXXXXXX		Reserved	TCCS3 [R/W] -0000000	Free-run timer 3 (OCU 2, 3)
000200 <sub>H</sub>	DMACA0 [R/W] B,H,W*1 00000000 0000XXXX XXXXXXXX XXXXXXXX				DMAC
000204 <sub>H</sub>	DMACB0 [R/W] B,H,W 00000000 00000000 XXXXXXXX XXXXXXXX				
000208 <sub>H</sub>	DMACA1 [R/W] B,H,W*1 00000000 0000XXXX XXXXXXXX XXXXXXXX				
00020C <sub>H</sub>	DMACB1 [R/W] B,H,W 00000000 00000000 XXXXXXXX XXXXXXXX				
000210 <sub>H</sub>	DMACA2 [R/W] B,H,W*1 00000000 0000XXXX XXXXXXXX XXXXXXXX				
000214 <sub>H</sub>	DMACB2 [R/W] B,H,W 00000000 00000000 XXXXXXXX XXXXXXXX				
000218 <sub>H</sub>	DMACA3 [R/W] B,H,W*1 00000000 0000XXXX XXXXXXXX XXXXXXXX				
00021C <sub>H</sub>	DMACB3 [R/W] B,H,W 00000000 00000000 XXXXXXXX XXXXXXXX				
000220 <sub>H</sub>	DMACA4 [R/W] B,H,W*1 00000000 0000XXXX XXXXXXXX XXXXXXXX				
000224 <sub>H</sub>	DMACB4 [R/W] B,H,W 00000000 00000000 XXXXXXXX XXXXXXXX				
000228 <sub>H</sub> to 00023C <sub>H</sub>	Reserved				
000240 <sub>H</sub>	DMACR [R/W] B,H,W 00--0000	Reserved			
000244 <sub>H</sub> to 000254 <sub>H</sub>	Reserved				
000258 <sub>H</sub> to 000364 <sub>H</sub>	Reserved				

(Continued)

# MB91460 Series

Address	Register				Block
	0	1	2	3	
000368 <sub>H</sub>	IBCR2 [R/W] B,H 00000000	IBSR2 [R] B,H 00000000	ITBAH2 [R/W] B,H -----00	ITBAL2 [R/W] B,H 00000000	I <sup>2</sup> C 2
00036C <sub>H</sub>	ITMKH2 [R/W] B,H 00----11	ITMKL2 [R/W] B,H 11111111	ISMK2 [R/W] B,H 01111111	ISBA2 [R/W] B,H -0000000	
000370 <sub>H</sub>	Reserved	IDAR2 [R/W] B,H 00000000	ICCR2 [R/W] B -0011111	Reserved	
000374 <sub>H</sub> to 0003BC <sub>H</sub>	Reserved				Reserved
0003C0 <sub>H</sub>	Reserved				
0003C4 <sub>H</sub>	Reserved			ISIZE [R/W] B -----11	Instruction cache
0003D0 <sub>H</sub>	Reserved				Reserved
0003E4 <sub>H</sub>	Reserved			ICHRC [R/W] B 0-000000	Instruction cache
0003E8 <sub>H</sub> to 0003EC <sub>H</sub>	Reserved				Reserved
0003F0 <sub>H</sub>	BSD0 [W] W XXXXXXXXXXXXXXXXXXXX				Bit search module
0003F4 <sub>H</sub>	BSD1 [R/W] W XXXXXXXXXXXXXXXXXXXX				
0003F8 <sub>H</sub>	BSDC [W] W XXXXXXXXXXXXXXXXXXXX				
0003FC <sub>H</sub>	BSRR [R] W XXXXXXXXXXXXXXXXXXXX				
000400 <sub>H</sub> to 00043C <sub>H</sub>	Reserved				Reserved
000440 <sub>H</sub>	ICR00 [R/W] B,H,W ---11111	ICR01 [R/W] B,H,W ---11111	ICR02 [R/W] B,H,W ---11111	ICR03 [R/W] B,H,W ---11111	Interrupt controller
000444 <sub>H</sub>	ICR04 [R/W] B,H,W ---11111	ICR05 [R/W] B,H,W ---11111	ICR06 [R/W] B,H,W ---11111	ICR07 [R/W] B,H,W ---11111	
000448 <sub>H</sub>	ICR08 [R/W] B,H,W ---11111	ICR09 [R/W] B,H,W ---11111	Reserved	ICR11 [R/W] B,H,W ---11111	
00044C <sub>H</sub>	ICR12 [R/W] B,H,W ---11111	ICR13 [R/W] B,H,W ---11111	Reserved		

(Continued)

# MB91460 Series

Address	Register				Block	
	0	1	2	3		
000450 <sub>H</sub>	ICR16 [R/W] B,H,W ---11111	Reserved		ICR19 [R/W] B,H,W ---11111	Interrupt controller	
000454 <sub>H</sub>	ICR20 [R/W] B,H,W ---11111	ICR21 [R/W] B,H,W ---11111	ICR22 [R/W] B,H,W ---11111	ICR23 [R/W] B,H,W ---11111		
000458 <sub>H</sub>	Reserved	ICR25 [R/W] B,H,W ---11111	ICR26 [R/W] B,H,W ---11111	ICR27 [R/W] B,H,W ---11111		
00045C <sub>H</sub>	Reserved	ICR29 [R/W] B,H,W ---11111	Reserved			
000460 <sub>H</sub>	Reserved					
000464 <sub>H</sub>	Reserved		ICR38 [R/W] B,H,W ---11111	ICR39 [R/W] B,H,W ---11111		
000468 <sub>H</sub>	Reserved		ICR42 [R/W] B,H,W ---11111	ICR43 [R/W] B,H,W ---11111		
00046C <sub>H</sub>	Reserved					
000470 <sub>H</sub>	ICR48 [R/W] B,H,W ---11111	ICR49 [R/W] B,H,W ---11111	ICR50 [R/W] B,H,W ---11111	ICR51 [R/W] B,H,W ---11111		
000474 <sub>H</sub>	Reserved					
000478 <sub>H</sub>	Reserved		ICR58 [R/W] B,H,W ---11111	ICR59 [R/W] B,H,W ---11111		
00047C <sub>H</sub>	Reserved		ICR62 [R/W] B,H,W ---11111	ICR63 [R/W] B,H,W ---11111		
000480 <sub>H</sub>	RSRR [R/W] B,H,W 10000000	STCR [R/W] B,H,W 00110011	TBCR [R/W] B,H,W X0000X00	CTBR [W] B,H,W XXXXXXXXXX		Clock control
000484 <sub>H</sub>	CLKR [R/W] B,H,W 00000000	WPR [W] B,H,W XXXXXXXXXX	DIVR0 [R/W] B,H,W 00000011	DIVR1 [R/W] B,H,W 00000000		
000488 <sub>H</sub>	Reserved				Reserved	

(Continued)

# MB91460 Series

Address	Register				Block
	0	1	2	3	
00048C <sub>H</sub>	PLLDIVM [R/W] B,H ---00000	PLLDIVN [R/W] B,H ---00000	Reserved		PLL interface
000490 <sub>H</sub>	Reserved				Reserved
000494 <sub>H</sub> to 00049C <sub>H</sub>	Reserved				
0004A0 <sub>H</sub>	Reserved	WTCER [R/W] B,H -----00	WTCR [R/W] B,H 00000000 000-00-0		Real-time clock
0004A4 <sub>H</sub>	Reserved	WTBR [R/W] B, B,H --XXXXX XXXXXXXX XXXXXXXX			
0004A8 <sub>H</sub>	WTHR [R/W] B,H ---XXXXX	WTMR [R/W] B,H --XXXXXX	WTSR [R/W] B --XXXXXX	Reserved	
0004AC <sub>H</sub> to 0004BC <sub>H</sub>	Reserved				Reserved
0004C0 <sub>H</sub>	CANPRE [R/W] B,H 00000000	Reserved			CAN (clock control)
0004C4 <sub>H</sub>	Reserved			HWDCS [R/W,W] B 00011000	Hardware watchdog
0004C8 <sub>H</sub>	OSCR [R/W] B,H 00---000	Reserved			Interval timer
0004CC <sub>H</sub>	Reserved				Reserved
0004D0 <sub>H</sub>	Reserved				
0004D4 <sub>H</sub>	SHDE [R/W] B 0-----	Reserved	EXTE [R/W] B,H 00000000	EXTF [R/W] B,H 00000000	Shutdown controller
0004D8 <sub>H</sub>	EXTLV [R/W] B,H 00000000 00000000		Reserved		
0004DC <sub>H</sub> to 00063C <sub>H</sub>	Reserved				Reserved
000640 <sub>H</sub>	ASR0 [R/W] B,H,W 00000000 00000000		ACR0*2 [R/W] B,H,W 1111XX00 00000000		External bus
000644 <sub>H</sub>	ASR1 [R/W] B,H,W XXXXXXXX XXXXXXXX		ACR1 [R/W] B,H,W XXXXXXXX XXXXXXXX		
000648 <sub>H</sub>	ASR2 [R/W] B,H,W XXXXXXXX XXXXXXXX		ACR2 [R/W] B,H,W XXXXXXXX XXXXXXXX		
00064C <sub>H</sub>	ASR3 [R/W] B,H,W XXXXXXXX XXXXXXXX		ACR3 [R/W] B,H,W XXXXXXXX XXXXXXXX		

(Continued)

# MB91460 Series

Address	Register				Block
	0	1	2	3	
000650 <sub>H</sub>	ASR4 [R/W] B,H,W XXXXXXXX XXXXXXXX		ACR4 [R/W] B,H,W XXXXXXXX XXXXXXXX		External bus
000654 <sub>H</sub>	Reserved				
000658 <sub>H</sub>	Reserved				
00065C <sub>H</sub>	Reserved				
000660 <sub>H</sub>	AWR0 [R/W] B,H,W 01111111 11111011		AWR1 [R/W] B,H,W XXXXXXXX XXXXXXXX		
000664 <sub>H</sub>	AWR2 [R/W] B,H,W XXXXXXXX XXXXXXXX		AWR3 [R/W] B,H,W XXXXXXXX XXXXXXXX		
000668 <sub>H</sub>	AWR4 [R/W] B,H,W XXXXXXXX XXXXXXXX		Reserved		
00066C <sub>H</sub>	Reserved				
000670 <sub>H</sub>	Reserved				
000674 <sub>H</sub>	Reserved				
000678 <sub>H</sub>	IOWR0 [R/W] B,H,W XXXXXXXX	IOWR1 [R/W] B,H,W XXXXXXXX	IOWR2 [R/W] B,H,W XXXXXXXX	Reserved	
00067C <sub>H</sub>	Reserved				
000680 <sub>H</sub>	CSER [R/W] B,H,W 00000001	CHER [R/W] B,H,W 11111111	Reserved	TCR [R/W]* <sup>3</sup> B,H,W 0000XXXX	
000684 <sub>H</sub>	Reserved				
000688 <sub>H</sub> to 0007F8 <sub>H</sub>	Reserved				
0007FC <sub>H</sub>	Reserved	MODR [W] B XXXXXXXX	Reserved		Mode register
000800 <sub>H</sub> to 000CFC <sub>H</sub>	Reserved				Reserved
000D00 <sub>H</sub>	Reserved				R-bus port data direct read register
000D04 <sub>H</sub>	Reserved				
000D08 <sub>H</sub>	Reserved				
000D0C <sub>H</sub>	Reserved		PDRD14 [R] B,H ----XXXX	PDRD15 [R] B,H ----XXXX	
000D10 <sub>H</sub>	PDRD16 [R] B,H X-----	PDRD17 [R] B,H XXXXXXXX	PDRD18 [R] B,H ----XXX	PDRD19 [R] B,H -XXX-XXX	

(Continued)



# MB91460 Series

Address	Register				Block
	0	1	2	3	
000D14 <sub>H</sub>	PDRD20 [R] B,H -XXX-XXX	PDRD21 [R] B,H -XXX-XXX	PDRD22 [R] B,H XXXXXX-X	PDRD23 [R] B,H -X-XXXXX	R-bus port data direct read register
000D18 <sub>H</sub>	PDRD24 [R] B,H XXXXXXXX	Reserved			
000D1C <sub>H</sub>	PDRD28 [R] B,H ---XXXXX	PDRD29 [R] B,H XXXXXXXX	Reserved		
000D20 <sub>H</sub>	Reserved				
000D24 <sub>H</sub> to 000D3C <sub>H</sub>	Reserved				Reserved
000D40 <sub>H</sub>	Reserved				R-bus port direction register
000D44 <sub>H</sub>	Reserved				
000D48 <sub>H</sub>	Reserved				
000D4C <sub>H</sub>	Reserved		DDR14 [R/W] B,H ----0000	DDR15 [R/W] B,H ----0000	
000D50 <sub>H</sub>	DDR16 [R/W] B,H 0-----	DDR17 [R/W] B,H 00000000	DDR18 [R/W] B,H ----000	DDR19 [R/W] B,H -000-000	
000D54 <sub>H</sub>	DDR20 [R/W] B,H -000-000	DDR21 [R/W] B,H -000-000	DDR22 [R/W] B,H 000000-0	DDR23 [R/W] B,H -0-00000	
000D58 <sub>H</sub>	DDR24 [R/W] B,H ---00000	Reserved			
000D5C <sub>H</sub>	DDR28 [R/W] B,H ---00000	DDR29 [R/W] B,H 00000000	Reserved		
000D60 <sub>H</sub>	Reserved				
000D64 <sub>H</sub> to 000D7C <sub>H</sub>	Reserved				Reserved
000D80 <sub>H</sub>	Reserved				R-bus port function register
000D84 <sub>H</sub>	Reserved				
000D88 <sub>H</sub>	Reserved				
000D8C <sub>H</sub>	Reserved		PFR14 [R/W] B,H ----0000	PFR15 [R/W] B,H ----0000	
000D90 <sub>H</sub>	PFR16 [R/W] B,H 0-----	PFR17 [R/W] B,H 00000000	PFR18 [R/W] B,H ----000	PFR19 [R/W] B,H -000-000	

(Continued)

# MB91460 Series

Address	Register				Block
	0	1	2	3	
000D94 <sub>H</sub>	PFR20 [R/W] B,H -000-000	PFR21 [R/W] B,H -000-000	PFR22 [R/W] B,H 000000-0	PFR23 [R/W] B,H -0-00000	R-bus port function register
000D98 <sub>H</sub>	PFR24 [R/W] B,H 00000000	Reserved	Reserved	Reserved	
000D9C <sub>H</sub>	PFR28 [R/W] B,H ---00000	PFR29 [R/W] B,H 00000000	Reserved	Reserved	
000DA0 <sub>H</sub>	Reserved				Reserved
000DA4 <sub>H</sub> to 000DBC <sub>H</sub>	Reserved				
000DC0 <sub>H</sub>	Reserved				
000DC4 <sub>H</sub>	Reserved				Reserved
000DC8 <sub>H</sub>	Reserved				
000DCC <sub>H</sub>	Reserved		EPFR14 [R/W] B,H ----0000	EPFR15 [R/W] B,H ----0000	
000DD0 <sub>H</sub>	EPFR16 [R/W] B,H 0-----	EPFR17 [R/W] B,H 00000000	EPFR18 [R/W] B,H -----000	EPFR19 [R/W] B,H -000-000	R-bus expansion port function register
000DD4 <sub>H</sub>	EPFR20 [R/W] B,H -000-000	EPFR21 [R/W] B,H -000-000	EPFR22 [R/W] B,H 000000-0	EPFR23 [R/W] B,H -0-00000	
000DD8 <sub>H</sub>	EPFR24 [R/W] B,H 00000000	Reserved			
000DDC <sub>H</sub>	EPFR28 [R/W] B,H ---00000	EPFR29 [R/W] B,H 00000000	Reserved		
000DE0 <sub>H</sub>	Reserved				
000DE4 <sub>H</sub> to 000DFC <sub>H</sub>	Reserved				Reserved
000E00 <sub>H</sub> to 000E3C <sub>H</sub>	Reserved				

(Continued)

# MB91460 Series

Address	Register				Block
	0	1	2	3	
000E40H	Reserved				R-bus pin input level selection register
000E44H	Reserved				
000E48H	Reserved				
000E4CH	Reserved		PILR14 [R/W] B,H ----0000	PILR15 [R/W] B,H ----0000	
000E50H	PILR16 [R/W] B,H 0-----	PILR17 [R/W] B,H 00000000	PILR18 [R/W] B,H -----000	PILR19 [R/W] B,H -000-000	
000E54H	PILR20 [R/W] B,H -000-000	PILR21 [R/W] B,H -000-000	PILR22 [R/W] B,H 000000-0	PILR23 [R/W] B,H -0-00000	
000E58H	PILR24 [R/W] B,H 00000000	Reserved			
000E5CH	PILR28 [R/W] B,H ---00000	PILR29 [R/W] B,H 00000000	Reserved		
000E60H to 000EBC <sub>H</sub>	Reserved				
000EC0H	Reserved				
000EC4H	Reserved				
000EC8H	Reserved				
000ECC <sub>H</sub>	Reserved		PPER14 [R/W] B,H ----0000	PPER15 [R/W] B,H ----0000	
000ED0H	PPER16 [R/W] B,H 0-----	PPER17 [R/W] B,H 00000000	PPER18 [R/W] B,H -----000	PPER19 [R/W] B,H -000-000	
000ED4H	PPER20 [R/W] B,H -000-000	PPER21 [R/W] B,H -000-000	PPER22 [R/W] B,H 000000-0	PPER23 [R/W] B,H -0-00000	
000ED8H	PPER24 [R/W] B,H 00000000	Reserved			
000EDC <sub>H</sub>	PPER28 [R/W] B,H ---00000	PPER29 [R/W] B,H 00000000	Reserved		
000EE0H	Reserved				

(Continued)

# MB91460 Series

Address	Register				Block
	0	1	2	3	
000EE4 <sub>H</sub> to 000EFC <sub>H</sub>	Reserved				Reserved
000F00 <sub>H</sub>	Reserved				R-bus port pull-up/pull-down control register
000F04 <sub>H</sub>	Reserved				
000F08 <sub>H</sub>	Reserved				
000F0C <sub>H</sub>	Reserved		PPCR14 [R/W] B,H ----1111	PPCR15 [R/W] B,H ----1111	
000F10 <sub>H</sub>	PPCR16 [R/W] B,H 1-----	PPCR17 [R/W] B,H -111-111	PPCR18 [R/W] B,H 111111-1	PPCR19 [R/W] B,H -1-11111	
000F14 <sub>H</sub>	PPCR20 [R/W] B,H -111-111	PPCR21 [R/W] B,H -111-111	PPCR22 [R/W] B,H 111111-1	PPCR23 [R/W] B,H -1-11111	
000F18 <sub>H</sub>	PPCR24 [R/W] B,H ---11111	Reserved			
000F1C <sub>H</sub>	PPCR28 [R/W] B,H ---11111	PPCR29 [R/W] B,H 11111111	Reserved		
000F20 <sub>H</sub>	Reserved				
000F24 <sub>H</sub> to 000F3C <sub>H</sub>	Reserved				
001000 <sub>H</sub>	DMASA0 [R/W] W XXXXXXXXXXXXXXXXXXXX				DMAC
001004 <sub>H</sub>	DMADA0 [R/W] W XXXXXXXXXXXXXXXXXXXX				
001008 <sub>H</sub>	DMASA1 [R/W] W XXXXXXXXXXXXXXXXXXXX				
00100C <sub>H</sub>	DMADA1 [R/W] W XXXXXXXXXXXXXXXXXXXX				
001010 <sub>H</sub>	DMASA2 [R/W] W XXXXXXXXXXXXXXXXXXXX				
001014 <sub>H</sub>	DMADA2 [R/W] W XXXXXXXXXXXXXXXXXXXX				

(Continued)

# MB91460 Series

Address	Register				Block
	0	1	2	3	
001018 <sub>H</sub>	DMASA3 [R/W] W XXXXXXXX XXXXXXXX XXXXXXXX XXXXXXXX				DMAC
00101C <sub>H</sub>	DMADA3 [R/W] W XXXXXXXX XXXXXXXX XXXXXXXX XXXXXXXX				
001020 <sub>H</sub>	DMASA4 [R/W] W XXXXXXXX XXXXXXXX XXXXXXXX XXXXXXXX				
001024 <sub>H</sub>	DMADA4 [R/W] W XXXXXXXX XXXXXXXX XXXXXXXX XXXXXXXX				
001028 <sub>H</sub> to 007FFC <sub>H</sub>	Reserved				Reserved
008000 <sub>H</sub> to 00BFFC <sub>H</sub>	Reserved				
00C000 <sub>H</sub>	CTRLR0 [R/W] B,H 00000000 00000001		STATR0 [R/W] B,H 00000000 00000000		CAN 0 control register
00C004 <sub>H</sub>	ERRCNT0 [R] B,H,W 00000000 00000000		BTR0 [R/W] B,H,W 00100011 00000001		
00C008 <sub>H</sub>	INTR0 [R]B,H,W 00000000 00000000		TESTR0 [R/W]B,H,W 00000000 X0000000		
00C00C <sub>H</sub>	BRPE0 [R/W]B,H,W 00000000 00000000		Reserved		
00C010 <sub>H</sub>	IF1CREQ0 [R/W] B,H 00000000 00000001		IF1CMSK0 [R/W] B,H 00000000 00000000		CAN 0 IF 1 register
00C014 <sub>H</sub>	IF1MSK20 [R/W] B,H,W 11111111 11111111		IF1MSK10 [R/W] B,H,W 11111111 11111111		
00C018 <sub>H</sub>	IF1ARB20 [R/W] B,H,W 00000000 00000000		IF1ARB10 [R/W] B,H,W 00000000 00000000		
00C01C <sub>H</sub>	IF1MCTR0 [R/W] B,H,W 00000000 00000000		Reserved		
00C020 <sub>H</sub>	IF1DTA10 [R/W] B,H,W 00000000 00000000		IF1DTA20 [R/W] B,H,W 00000000 00000000		
00C024 <sub>H</sub>	IF1DTB10 [R/W] B,H,W 00000000 00000000		IF1DTB20 [R/W]B,H,W 00000000 00000000		
00C028 <sub>H</sub> to 00C02C <sub>H</sub>	Reserved				
00C030 <sub>H</sub>	IF1DTA20 [R/W] B,H,W 00000000 00000000		IF1DTA10 [R/W] B,H,W 00000000 00000000		
00C034 <sub>H</sub>	IF1DTB20 [R/W] B,H,W 00000000 00000000		IF1DTB10 [R/W] B,H,W 00000000 00000000		

(Continued)

# MB91460 Series

Address	Register				Block
	0	1	2	3	
00C038H to 00C03CH	Reserved				CAN 0 IF 1 register
00C040H	IF2CREQ0 [R/W] B,H 00000000 00000001		IF2CMSK0 [R/W] B,H 00000000 00000000		CAN 0 IF 2 register
00C044H	IF2MSK20 [R/W] B,H,W 11111111 11111111		IF2MSK10 [R/W] B,H,W 11111111 11111111		
00C048H	IF2ARB20 [R/W] B,H,W 00000000 00000000		IF2ARB10 [R/W] B,H,W 00000000 00000000		
00C04CH	IF2MCTR0 [R/W] B,H,W 00000000 00000000		Reserved		
00C050H	IF2DTA10 [R/W] B,H,W 00000000 00000000		IF2DTA20 [R/W] B,H,W 00000000 00000000		
00C054H	IF2DTB10 [R/W] B,H,W 00000000 00000000		IF2DTB20 [R/W] B,H,W 00000000 00000000		
00C058H to 00C05CH	Reserved				
00C060H	IF2DTA20 [R/W] B,H,W 00000000 00000000		IF2DTA10 [R/W] B,H,W 00000000 00000000		
00C064H	IF2DTB20 [R/W] B,H,W 00000000 00000000		IF2DTB10 [R/W] B,H,W 00000000 00000000		
00C068H to 00C07CH	Reserved				
00C080H	TREQR20 [R] B,H,W 00000000 00000000		TREQR10 [R] B,H,W 00000000 00000000		CAN 0 status flag
00C084H	Reserved				
00C088H	Reserved				
00C08CH	Reserved				
00C090H	NEWDT20 [R] B,H,W 00000000 00000000		NEWDT10 [R] B,H,W 00000000 00000000		
00C094H	Reserved				
00C098H	Reserved				
00C09CH	Reserved				

(Continued)

# MB91460 Series

Address	Register				Block
	0	1	2	3	
00C0A0 <sub>H</sub>	INTPND20 [R] B,H,W 00000000 00000000		INTPND10 [R] B,H,W 00000000 00000000		CAN 0 status flag
00C0A4 <sub>H</sub>	Reserved				
00C0A8 <sub>H</sub>	Reserved				
00C0AC <sub>H</sub>	Reserved				
00C0B0 <sub>H</sub>	MSGVAL20 [R] B,H,W 00000000 00000000		MSGVAL10 [R] B,H,W 00000000 00000000		
00C0B4 <sub>H</sub>	Reserved				
00C0B8 <sub>H</sub>	Reserved				
00C0BC <sub>H</sub>	Reserved				
00C0C0 <sub>H</sub> to 00C0FC <sub>H</sub>	Reserved				
00C100 <sub>H</sub>	CTRLR1 [R/W] B,H 00000000 00000001		STATR1 [R/W] B,H 00000000 00000000		
00C104 <sub>H</sub>	ERRCNT1 [R] B,H,W 00000000 00000000		BTR1 [R/W] B,H,W 00100011 00000001		
00C108 <sub>H</sub>	INTR1 [R] B,H,W 00000000 00000000		TESTR1 [R/W] B,H,W 00000000 X0000000		
00C10C <sub>H</sub>	BRPE1 [R/W] B,H,W 00000000 00000000		Reserved		
00C110 <sub>H</sub>	IF1CREQ1 [R/W] B,H 00000000 00000001		IF1CMSK1 [R/W] B,H 00000000 00000000		CAN 1 IF 1 register
00C114 <sub>H</sub>	IF1MSK21 [R/W] B,H,W 11111111 11111111		IF1MSK11 [R/W] B,H,W 11111111 11111111		
00C118 <sub>H</sub>	IF1ARB21 [R/W] B,H,W 00000000 00000000		IF1ARB11 [R/W] B,H,W 00000000 00000000		
00C11C <sub>H</sub>	IF1MCTR1 [R/W] B,H,W 00000000 00000000		Reserved		
00C120 <sub>H</sub>	IF1DTA11 [R/W] B,H,W 00000000 00000000		IF1DTA21 [R/W] B,H,W 00000000 00000000		
00C124 <sub>H</sub>	IF1DTB11 [R/W] B,H,W 00000000 00000000		IF1DTB21 [R/W] B,H,W 00000000 00000000		

(Continued)

# MB91460 Series

Address	Register				Block
	0	1	2	3	
00C128 <sub>H</sub> to 00C12C <sub>H</sub>	Reserved				CAN 1 IF 1 register
00C130 <sub>H</sub>	IF1DTA21 [R/W] B,H,W 00000000 00000000		IF1DTA11 [R/W] B,H,W 00000000 00000000		
00C134 <sub>H</sub>	IF1DTB21 [R/W] B,H,W 00000000 00000000		IF1DTB11 [R/W] B,H,W 00000000 00000000		
00C138 <sub>H</sub> to 00C13C <sub>H</sub>	Reserved				
00C140 <sub>H</sub>	IF2CREQ1 [R/W]B,H 00000000 00000001		IF2CMSK1 [R/W]B,H 00000000 00000000		CAN 1 IF 2 register
00C144 <sub>H</sub>	IF2MSK21 [R/W]B,H,W 11111111 11111111		IF2MSK11 [R/W]B,H,W 11111111 11111111		
00C148 <sub>H</sub>	IF2ARB21 [R/W]B,H,W 00000000 00000000		IF2ARB11 [R/W]B,H,W 00000000 00000000		
00C14C <sub>H</sub>	IF2MCTR1 [R/W]B,H,W 00000000 00000000		Reserved		
00C150 <sub>H</sub>	IF2DTA11 [R/W]B,H,W 00000000 00000000		IF2DTA21 [R/W]B,H,W 00000000 00000000		
00C154 <sub>H</sub>	IF2DTB11 [R/W]B,H,W 00000000 00000000		IF2DTB21 [R/W]B,H,W 00000000 00000000		
00C158 <sub>H</sub> to 00C15C <sub>H</sub>	Reserved				
00C160 <sub>H</sub>	IF2DTA21 [R/W]B,H,W 00000000 00000000		IF2DTA11 [R/W]B,H,W 00000000 00000000		
00C164 <sub>H</sub>	IF2DTB21 [R/W]B,H,W 00000000 00000000		IF2DTB11 [R/W]B,H,W 00000000 00000000		
00C168 <sub>H</sub> to 00C17C <sub>H</sub>	Reserved				
00C180 <sub>H</sub>	TREQR21 [R]B,H,W 00000000 00000000		TREQR11 [R]B,H,W 00000000 00000000		CAN 1 status flag
00C184 <sub>H</sub>	Reserved				
00C188 <sub>H</sub>	Reserved				
00C18C <sub>H</sub>	Reserved				

(Continued)



# MB91460 Series

Address	Register				Block	
	0	1	2	3		
00C190 <sub>H</sub>	NEWDT21 [R]B,H,W 00000000 00000000		NEWDT11 [R]B,H,W 00000000 00000000		CAN 1 status flag	
00C194 <sub>H</sub>	Reserved					
00C198 <sub>H</sub>	Reserved					
00C19C <sub>H</sub>	Reserved					
00C1A0 <sub>H</sub>	INTPND21 [R]B,H,W 00000000 00000000		INTPND11 [R]B,H,W 00000000 00000000			
00C1A4 <sub>H</sub>	Reserved					
00C1A8 <sub>H</sub>	Reserved					
00C1AC <sub>H</sub>	Reserved					
00C1B0 <sub>H</sub>	MSGVAL21 [R]B,H,W 00000000 00000000		MSGVAL11 [R]B,H,W 00000000 00000000			
00C1B4 <sub>H</sub>	Reserved					
00C1B8 <sub>H</sub>	Reserved					
00C1BC <sub>H</sub>	Reserved					
00C1C0 <sub>H</sub> to 00C1FC <sub>H</sub>	Reserved					
00F000 <sub>H</sub> to 00FFFC <sub>H</sub>	Reserved					Reserved
010000 <sub>H</sub> to 013FFC <sub>H</sub>	Cache TAG way 1 (010000 <sub>H</sub> to 0107FC <sub>H</sub> )					Instruction cache
014000 <sub>H</sub> to 017FFC <sub>H</sub>	Cache TAG way 2 (014000 <sub>H</sub> to 0147FC <sub>H</sub> )					
018000 <sub>H</sub> to 01BFFC <sub>H</sub>	Cache RAM way 1 (018000 <sub>H</sub> to 0187FC <sub>H</sub> )					
01C000 <sub>H</sub> to 01FFFC <sub>H</sub>	Cache RAM way 2 (01C000 <sub>H</sub> to 01C7FC <sub>H</sub> )					

(Continued)

# MB91460 Series

(Continued)

Address	Register				Block
	0	1	2	3	
020000H to 02FFFC <sub>H</sub>	Reserved				Reserved
030000H to 03FFFC <sub>H</sub>	I/D-RAM: 64 Kbytes (instruction access is 0 wait cycle, data access is 1 wait cycle)				I/D-RAM 64 Kbytes
040000H to 07FFFC <sub>H</sub>	External memory area (256 Kbytes)				External bus
080000H to 0BFFFC <sub>H</sub>	External memory area (256 Kbytes)				
0C0000H to 0FFFF4 <sub>H</sub>	External memory area (256 Kbytes)				
0FFFF8H	FMV [R]				
0FFFFC <sub>H</sub>	FRV [R]				Reset vector/ mode vector
100000H to 13FFFC <sub>H</sub>	External memory area (256 Kbytes)				External bus
140000H to 17FFFC <sub>H</sub>	External memory area (256 Kbytes)				
180000H to 1BFFFC <sub>H</sub>	External memory area (256 Kbytes)				
1C0000H to 1FFFFC <sub>H</sub>	External memory area (256 Kbytes)				
200000H to 2FFFFC <sub>H</sub>	External memory area (1 Mbyte)				
300000H to 3FFFFC <sub>H</sub>	External memory area (1 Mbyte)				

\*1 : The lower 16 bits (DTC15 to DTC0) of DMACA0 to DMACA4 cannot be accessed in bytes.

\*2 : ACRO[11:10] depends on the mode vector fetch information on bus width.

\*3 : TCR[3:0] INIT value = 0000, the value is kept after RST.

## ■ INTERRUPT SOURCE TABLE

Interrupt source	Interrupt number		Interrupt level		Offset	TBR default address	Resource number*1
	Decimal	Hexadecimal	Setting register	Register address			
Reset	0	00	—	—	3FC <sub>H</sub>	000FFFFC <sub>H</sub>	2
Mode vector	1	01	—	—	3F8 <sub>H</sub>	000FFFF8 <sub>H</sub>	3
System reserved	2	02	—	—	3F4 <sub>H</sub>	000FFFF4 <sub>H</sub>	—
System reserved	3	03	—	—	3F0 <sub>H</sub>	000FFFF0 <sub>H</sub>	—
System reserved	4	04	—	—	3EC <sub>H</sub>	000FFFE <sub>C</sub>	—
System reserved	5	05	—	—	3E8 <sub>H</sub>	000FFFE8 <sub>H</sub>	—
System reserved	6	06	—	—	3E4 <sub>H</sub>	000FFFE4 <sub>H</sub>	—
Coprocessor absent trap	7	07	—	—	3E0 <sub>H</sub>	000FFFE0 <sub>H</sub>	—
Coprocessor error trap	8	08	—	—	3DC <sub>H</sub>	000FFFD <sub>C</sub>	—
INTE instruction	9	09	—	—	3D8 <sub>H</sub>	000FFFD8 <sub>H</sub>	—
Instruction break exception	10	0A	—	—	3D4 <sub>H</sub>	000FFFD4 <sub>H</sub>	—
Operand break trap	11	0B	—	—	3D0 <sub>H</sub>	000FFFD0 <sub>H</sub>	—
Step trace trap	12	0C	—	—	3CC <sub>H</sub>	000FFF <sub>CC</sub>	—
NMI request (tool)	13	0D	—	—	3C8 <sub>H</sub>	000FFF <sub>C8</sub>	—
Undefined instruction exception	14	0E	—	—	3C4 <sub>H</sub>	000FFF <sub>C4</sub>	—
NMI request	15	0F	15 (F) fixed	15 (F) fixed	3C0 <sub>H</sub>	000FFF <sub>C0</sub>	—
External interrupt 0	16	10	ICR00	440 <sub>H</sub>	3BC <sub>H</sub>	000FFF <sub>BC</sub>	—
External interrupt 1	17	11			3B8 <sub>H</sub>	000FFF <sub>B8</sub>	—
External interrupt 2	18	12	ICR01	441 <sub>H</sub>	3B4 <sub>H</sub>	000FFF <sub>B4</sub>	—
External interrupt 3	19	13			3B0 <sub>H</sub>	000FFF <sub>B0</sub>	—
External interrupt 4	20	14	ICR02	442 <sub>H</sub>	3AC <sub>H</sub>	000FFF <sub>AC</sub>	—
External interrupt 5	21	15			3A8 <sub>H</sub>	000FFF <sub>A8</sub>	—
External interrupt 6	22	16	ICR03	443 <sub>H</sub>	3A4 <sub>H</sub>	000FFF <sub>A4</sub>	—
External interrupt 7	23	17			3A0 <sub>H</sub>	000FFF <sub>A0</sub>	—
External interrupt 8	24	18	ICR04	444 <sub>H</sub>	39C <sub>H</sub>	000FFF <sub>9C</sub>	—
External interrupt 9	25	19			398 <sub>H</sub>	000FFF <sub>98</sub>	—
External interrupt 10	26	1A	ICR05	445 <sub>H</sub>	394 <sub>H</sub>	000FFF <sub>94</sub>	—
External interrupt 11	27	1B			390 <sub>H</sub>	000FFF <sub>90</sub>	—
External interrupt 12	28	1C	ICR06	446 <sub>H</sub>	38C <sub>H</sub>	000FFF <sub>8C</sub>	—
External interrupt 13	29	1D			388 <sub>H</sub>	000FFF <sub>88</sub>	—
External interrupt 14	30	1E	ICR07	447 <sub>H</sub>	384 <sub>H</sub>	000FFF <sub>84</sub>	—
External interrupt 15	31	1F			380 <sub>H</sub>	000FFF <sub>80</sub>	—

(Continued)

# MB91460 Series

Interrupt source	Interrupt number		Interrupt level		Offset	TBR default address	Resource number*1
	Decimal	Hexa-decimal	Setting register	Register address			
Reload timer 0	32	20	ICR08	448 <sub>H</sub>	37 <sub>C<sub>H</sub></sub>	000FFF7C <sub>H</sub>	4
Reload timer 1	33	21			378 <sub>H</sub>	000FFF78 <sub>H</sub>	5
Reload timer 2	34	22	ICR09	449 <sub>H</sub>	374 <sub>H</sub>	000FFF74 <sub>H</sub>	—
Reload timer 3	35	23			370 <sub>H</sub>	000FFF70 <sub>H</sub>	—
System reserved	36	24	ICR10	44A <sub>H</sub>	36C <sub>H</sub>	000FFF6C <sub>H</sub>	—
System reserved	37	25			368 <sub>H</sub>	000FFF68 <sub>H</sub>	—
System reserved	38	26	ICR11	44B <sub>H</sub>	364 <sub>H</sub>	000FFF64 <sub>H</sub>	—
Reload timer 7	39	27			360 <sub>H</sub>	000FFF60 <sub>H</sub>	—
Free-run timer 0	40	28	ICR12	44C <sub>H</sub>	35C <sub>H</sub>	000FFF5C <sub>H</sub>	—
Free-run timer 1	41	29			358 <sub>H</sub>	000FFF58 <sub>H</sub>	—
Free-run timer 2	42	2A	ICR13	44D <sub>H</sub>	354 <sub>H</sub>	000FFF54 <sub>H</sub>	—
Free-run timer 3	43	2B			350 <sub>H</sub>	000FFF50 <sub>H</sub>	—
System reserved	44	2C	ICR14	44E <sub>H</sub>	34C <sub>H</sub>	000FFF4C <sub>H</sub>	—
System reserved	45	2D			348 <sub>H</sub>	000FFF48 <sub>H</sub>	—
System reserved	46	2E	ICR15	44F <sub>H</sub>	344 <sub>H</sub>	000FFF44 <sub>H</sub>	—
System reserved	47	2F			340 <sub>H</sub>	000FFF40 <sub>H</sub>	—
CAN0	48	30	ICR16	450 <sub>H</sub>	33C <sub>H</sub>	000FFF3C <sub>H</sub>	—
CAN1	49	31			338 <sub>H</sub>	000FFF38 <sub>H</sub>	—
System reserved	50	32	ICR17	451 <sub>H</sub>	334 <sub>H</sub>	000FFF34 <sub>H</sub>	—
System reserved	51	33			330 <sub>H</sub>	000FFF30 <sub>H</sub>	—
System reserved	52	34	ICR18	452 <sub>H</sub>	32C <sub>H</sub>	000FFF2C <sub>H</sub>	—
System reserved	53	35			328 <sub>H</sub>	000FFF28 <sub>H</sub>	—
LIN-USART 0 RX	54	36	ICR19	453 <sub>H</sub>	324 <sub>H</sub>	000FFF24 <sub>H</sub>	6
LIN-USART 0 TX	55	37			320 <sub>H</sub>	000FFF20 <sub>H</sub>	7
LIN-USART 1 RX	56	38	ICR20	454 <sub>H</sub>	31C <sub>H</sub>	000FFF1C <sub>H</sub>	8
LIN-USART 1 TX	57	39			318 <sub>H</sub>	000FFF18 <sub>H</sub>	9
LIN-USART 2 RX	58	3A	ICR21	455 <sub>H</sub>	314 <sub>H</sub>	000FFF14 <sub>H</sub>	—
LIN-USART 2 TX	59	3B			310 <sub>H</sub>	000FFF10 <sub>H</sub>	—
LIN-USART 3 RX	60	3C	ICR22	456 <sub>H</sub>	30C <sub>H</sub>	000FFF0C <sub>H</sub>	—
LIN-USART 3 TX	61	3D			308 <sub>H</sub>	000FFF08 <sub>H</sub>	—
System reserved	62	3E	ICR23*3	457 <sub>H</sub>	304 <sub>H</sub>	000FFF04 <sub>H</sub>	—
Delay interrupt	63	3F			300 <sub>H</sub>	000FFF00 <sub>H</sub>	—

(Continued)

# MB91460 Series

Interrupt source	Interrupt number		Interrupt level		Offset	TBR default address	Resource number*1
	Decimal	Hexa-decimal	Setting register	Register address			
System reserved*2	64	40	(ICR24)	458 <sub>H</sub>	2FC <sub>H</sub>	000FFEFC <sub>H</sub>	—
System reserved*2	65	41			2F8 <sub>H</sub>	000FFE8 <sub>H</sub>	—
LIN-USART 4 RX	66	42	ICR25	459 <sub>H</sub>	2F4 <sub>H</sub>	000FFE4 <sub>H</sub>	10
LIN-USART 4 TX	67	43			2F0 <sub>H</sub>	000FEF0 <sub>H</sub>	11
LIN-USART 5 RX	68	44	ICR26	45A <sub>H</sub>	2EC <sub>H</sub>	000FEEC <sub>H</sub>	12
LIN-USART 5 TX	69	45			2E8 <sub>H</sub>	000FEE8 <sub>H</sub>	13
LIN-USART 6 RX	70	46	ICR27	45B <sub>H</sub>	2E4 <sub>H</sub>	000FEE4 <sub>H</sub>	—
LIN-USART 6 TX	71	47			2E0 <sub>H</sub>	000FEE0 <sub>H</sub>	—
System reserved	72	48	ICR28	45C <sub>H</sub>	2DC <sub>H</sub>	000FFEDC <sub>H</sub>	—
System reserved	73	49			2D8 <sub>H</sub>	000FFED8 <sub>H</sub>	—
I <sup>2</sup> C_0/I <sup>2</sup> C_2	74	4A	ICR29	45D <sub>H</sub>	2D4 <sub>H</sub>	000FFED4 <sub>H</sub>	—
I <sup>2</sup> C_1/I <sup>2</sup> C_3	75	4B			2D0 <sub>H</sub>	000FFED0 <sub>H</sub>	—
System reserved	76	4C	ICR30	45E <sub>H</sub>	2CC <sub>H</sub>	000FFEC <sub>H</sub>	—
System reserved	77	4D			2C8 <sub>H</sub>	000FFEC8 <sub>H</sub>	—
System reserved	78	4E	ICR31	45F <sub>H</sub>	2C4 <sub>H</sub>	000FFEC4 <sub>H</sub>	—
System reserved	79	4F			2C0 <sub>H</sub>	000FFEC0 <sub>H</sub>	—
System reserved	80	50	ICR32	460 <sub>H</sub>	2BC <sub>H</sub>	000FFEB <sub>H</sub>	—
System reserved	81	51			2B8 <sub>H</sub>	000FFEB8 <sub>H</sub>	—
System reserved	82	52	ICR33	461 <sub>H</sub>	2B4 <sub>H</sub>	000FFEB4 <sub>H</sub>	—
System reserved	83	53			2B0 <sub>H</sub>	000FFEB0 <sub>H</sub>	—
System reserved	84	54	ICR34	462 <sub>H</sub>	2AC <sub>H</sub>	000FFEAC <sub>H</sub>	—
System reserved	85	55			2A8 <sub>H</sub>	000FFE8 <sub>H</sub>	—
System reserved	86	56	ICR35	463 <sub>H</sub>	2A4 <sub>H</sub>	000FFEA4 <sub>H</sub>	—
System reserved	87	57			2A0 <sub>H</sub>	000FFEA0 <sub>H</sub>	—
System reserved	88	58	ICR36	464 <sub>H</sub>	29C <sub>H</sub>	000FFE9C <sub>H</sub>	—
System reserved	89	59			298 <sub>H</sub>	000FFE98 <sub>H</sub>	—
System reserved	90	5A	ICR37	465 <sub>H</sub>	294 <sub>H</sub>	000FFE94 <sub>H</sub>	—
System reserved	91	5B			290 <sub>H</sub>	000FFE90 <sub>H</sub>	—
Input capture 0	92	5C	ICR38	466 <sub>H</sub>	28C <sub>H</sub>	000FFE8C <sub>H</sub>	—
Input capture 1	93	5D			288 <sub>H</sub>	000FFE88 <sub>H</sub>	—
Input capture 2	94	5E	ICR39	467 <sub>H</sub>	284 <sub>H</sub>	000FFE84 <sub>H</sub>	—
Input capture 3	95	5F			280 <sub>H</sub>	000FFE80 <sub>H</sub>	—

(Continued)

# MB91460 Series

Interrupt source	Interrupt number		Interrupt level		Offset	TBR default address	Resource number*1
	Decimal	Hexa-decimal	Setting register	Register address			
System reserved	96	60	ICR40	468 <sub>H</sub>	27 <sub>C<sub>H</sub></sub>	000FFE7 <sub>C<sub>H</sub></sub>	—
System reserved	97	61			278 <sub>H</sub>	000FFE78 <sub>H</sub>	—
System reserved	98	62	ICR41	469 <sub>H</sub>	274 <sub>H</sub>	000FFE74 <sub>H</sub>	—
System reserved	99	63			270 <sub>H</sub>	000FFE70 <sub>H</sub>	—
Output compare 0	100	64	ICR42	46A <sub>H</sub>	26 <sub>C<sub>H</sub></sub>	000FFE6 <sub>C<sub>H</sub></sub>	—
Output compare 1	101	65			268 <sub>H</sub>	000FFE68 <sub>H</sub>	—
Output compare 2	102	66	ICR43	46B <sub>H</sub>	264 <sub>H</sub>	000FFE64 <sub>H</sub>	—
Output compare 3	103	67			260 <sub>H</sub>	000FFE60 <sub>H</sub>	—
System reserved	104	68	ICR44	46C <sub>H</sub>	25 <sub>C<sub>H</sub></sub>	000FFE5 <sub>C<sub>H</sub></sub>	—
System reserved	105	69			258 <sub>H</sub>	000FFE58 <sub>H</sub>	—
System reserved	106	6A	ICR45	46D <sub>H</sub>	254 <sub>H</sub>	000FFE54 <sub>H</sub>	—
System reserved	107	6B			250 <sub>H</sub>	000FFE50 <sub>H</sub>	—
System reserved	108	6C	ICR46	46E <sub>H</sub>	24 <sub>C<sub>H</sub></sub>	000FFE4 <sub>C<sub>H</sub></sub>	—
System reserved	109	6D			248 <sub>H</sub>	000FFE48 <sub>H</sub>	—
System reserved	110	6E	ICR47*3	46F <sub>H</sub>	244 <sub>H</sub>	000FFE44 <sub>H</sub>	—
System reserved	111	6F			240 <sub>H</sub>	000FFE40 <sub>H</sub>	—
PPG0	112	70	ICR48	470 <sub>H</sub>	23 <sub>C<sub>H</sub></sub>	000FFE3 <sub>C<sub>H</sub></sub>	15
PPG1	113	71			238 <sub>H</sub>	000FFE38 <sub>H</sub>	—
PPG2	114	72	ICR49	471 <sub>H</sub>	234 <sub>H</sub>	000FFE34 <sub>H</sub>	—
PPG3	115	73			230 <sub>H</sub>	000FFE30 <sub>H</sub>	—
PPG4	116	74	ICR50	472 <sub>H</sub>	22 <sub>C<sub>H</sub></sub>	000FFE2 <sub>C<sub>H</sub></sub>	—
PPG5	117	75			228 <sub>H</sub>	000FFE28 <sub>H</sub>	—
PPG6	118	76	ICR51	473 <sub>H</sub>	224 <sub>H</sub>	000FFE24 <sub>H</sub>	—
PPG7	119	77			220 <sub>H</sub>	000FFE20 <sub>H</sub>	—
System reserved	120	78	ICR52	474 <sub>H</sub>	21 <sub>C<sub>H</sub></sub>	000FFE1 <sub>C<sub>H</sub></sub>	—
System reserved	121	79			218 <sub>H</sub>	000FFE18 <sub>H</sub>	—
System reserved	122	7A	ICR53	475 <sub>H</sub>	214 <sub>H</sub>	000FFE14 <sub>H</sub>	—
System reserved	123	7B			210 <sub>H</sub>	000FFE10 <sub>H</sub>	—
System reserved	124	7C	ICR54	476 <sub>H</sub>	20 <sub>C<sub>H</sub></sub>	000FFE0 <sub>C<sub>H</sub></sub>	—
System reserved	125	7D			208 <sub>H</sub>	000FFE08 <sub>H</sub>	—
System reserved	126	7E	ICR55	477 <sub>H</sub>	204 <sub>H</sub>	000FFE04 <sub>H</sub>	—
System reserved	127	7F			200 <sub>H</sub>	000FFE00 <sub>H</sub>	—

(Continued)

(Continued)

Interrupt source	Interrupt number		Interrupt level		Offset	TBR default address	Resource number <sup>*1</sup>
	Decimal	Hexa-decimal	Setting register	Register address			
System reserved	128	80	ICR56	478 <sub>H</sub>	1FC <sub>H</sub>	000FFDFC <sub>H</sub>	—
System reserved	129	81			1F8 <sub>H</sub>	000FFDF8 <sub>H</sub>	—
System reserved	130	82	ICR57	479 <sub>H</sub>	1F4 <sub>H</sub>	000FFDF4 <sub>H</sub>	—
System reserved	131	83			1F0 <sub>H</sub>	000FFDF0 <sub>H</sub>	—
Real-time clock	132	84	ICR58	47A <sub>H</sub>	1EC <sub>H</sub>	000FFDEC <sub>H</sub>	—
System reserved	133	85			1E8 <sub>H</sub>	000FFDE8 <sub>H</sub>	—
A/D converter 0	134	86	ICR59	47B <sub>H</sub>	1E4 <sub>H</sub>	000FFDE4 <sub>H</sub>	14
System reserved	135	87			1E0 <sub>H</sub>	000FFDE0 <sub>H</sub>	—
System reserved	136	88	ICR60	47C <sub>H</sub>	1DC <sub>H</sub>	000FFDDC <sub>H</sub>	—
System reserved	137	89			1D8 <sub>H</sub>	000FFDD8 <sub>H</sub>	—
System reserved	138	8A	ICR61	47D <sub>H</sub>	1D4 <sub>H</sub>	000FFDD4 <sub>H</sub>	—
System reserved	139	8B			1D0 <sub>H</sub>	000FFDD0 <sub>H</sub>	—
Time base overflow	140	8C	ICR62	47E <sub>H</sub>	1CC <sub>H</sub>	000FFDCC <sub>H</sub>	—
PLL clock gear	141	8D			1C8 <sub>H</sub>	000FFDC8 <sub>H</sub>	—
DMA controller	142	8E	ICR63	47F <sub>H</sub>	1C4 <sub>H</sub>	000FFDC4 <sub>H</sub>	—
Main/sub oscillation stabilization wait	143	8F			1C0 <sub>H</sub>	000FFDC0 <sub>H</sub>	—
System reserved	144	90	—	—	1BC <sub>H</sub>	000FFDBC <sub>H</sub>	—
Used by INT instruction	145 : 255	91 : FF	—	—	1B8 <sub>H</sub> : 000 <sub>H</sub>	000FFDB8 <sub>H</sub> : 000FFC00 <sub>H</sub>	—

\*1 : The peripheral resources to which RN (Resource Number) is assigned are capable of being DMA transfer activation sources. In addition, RN has a one-to-one correspondence with an IS (Input Source) of the DMAC channel control register A(DMACA0 to DMACA4), and the IS (Input Source) can be obtained by representing RN in a binary number and adding "1" to the head of it.

\*2 : Used by REALOS

\*3 : ICR23 and ICR47 are interchangeable by setting REALOS bit (address 0C03<sub>H</sub> ISO[0]).

# MB91460 Series

## ■ ELECTRICAL CHARACTERISTICS

### 1. Absolute maximum rating

Parameter	Symbol	Rating		Unit	Remarks
		Min	Max		
Power supply voltage 1*1	V <sub>CC3</sub>	V <sub>SS</sub> - 0.5	V <sub>SS</sub> + 4.0	V	
Power supply voltage 2*1	V <sub>CC5</sub>	V <sub>SS</sub> - 0.5	V <sub>SS</sub> + 6.0	V	
Analog power supply voltage*1	AV <sub>CC3</sub>	V <sub>SS</sub> - 0.5	V <sub>SS</sub> + 4.0	V	*2
Analog power supply voltage*1	AVRH	V <sub>SS</sub> - 0.5	V <sub>SS</sub> + 4.0	V	*2
Input voltage 1*1	V <sub>I1</sub>	V <sub>SS</sub> - 0.3	V <sub>CC3</sub> + 0.3	V	
Input voltage 2*1	V <sub>I2</sub>	V <sub>SS</sub> - 0.3	V <sub>CC5</sub> + 0.3	V	
Analog pin input voltage*1	V <sub>IA</sub>	V <sub>SS</sub> - 0.3	AV <sub>CC3</sub> + 0.3	V	
Output voltage 1*1	V <sub>O1</sub>	V <sub>SS</sub> - 0.3	V <sub>CC3</sub> + 0.3	V	
Output voltage 2*1	V <sub>O2</sub>	V <sub>SS</sub> - 0.3	V <sub>CC3</sub> + 0.3	V	
Maximum clamp current	I <sub>CLAMP</sub>	- 2.0	+ 2.0	mA	*6
Total maximum clamp current	$\sum  I_{CLAMP} $	—	20	mA	*6
“L” level maximum output current	I <sub>OL</sub>	—	10	mA	*3
“L” level average output current	I <sub>OLAV</sub>	—	8	mA	*4
“L” level total maximum output current	$\sum I_{OL}$	—	100	mA	
“L” level total average output current	$\sum I_{OLAV}$	—	50	mA	*5
“H” level maximum output current	I <sub>OL</sub>	—	- 10	mA	*3
“H” level average output current	I <sub>OHAV</sub>	—	- 4	mA	*4
“H” level total maximum output current	$\sum I_{OH}$	—	- 50	mA	
“H” level total average output current	$\sum I_{OHAV}$	—	- 20	mA	*5
Power consumption	P <sub>D</sub>	—	1000	mW	
Operation temperature	T <sub>A</sub>	- 40	+ 85	°C	
Storage temperature	T <sub>stg</sub>	- 55	+ 125	°C	

\*1 : The parameter is based on V<sub>SS</sub> = AV<sub>SS</sub> = 0.0 V.

\*2 : Do not let AV<sub>CC3</sub> and AVRH exceed V<sub>CC</sub>+0.3 [V], for example, when the power is turned on.  
Also, do not let AV<sub>CC3</sub> exceed V<sub>CC3</sub>.

\*3 : Maximum output current is defined as the value of the peak current flowing through any one of the corresponding pins.

\*4 : Average output current is defined as the value of the average current flowing through any one of the corresponding pins for a 100 ms period.

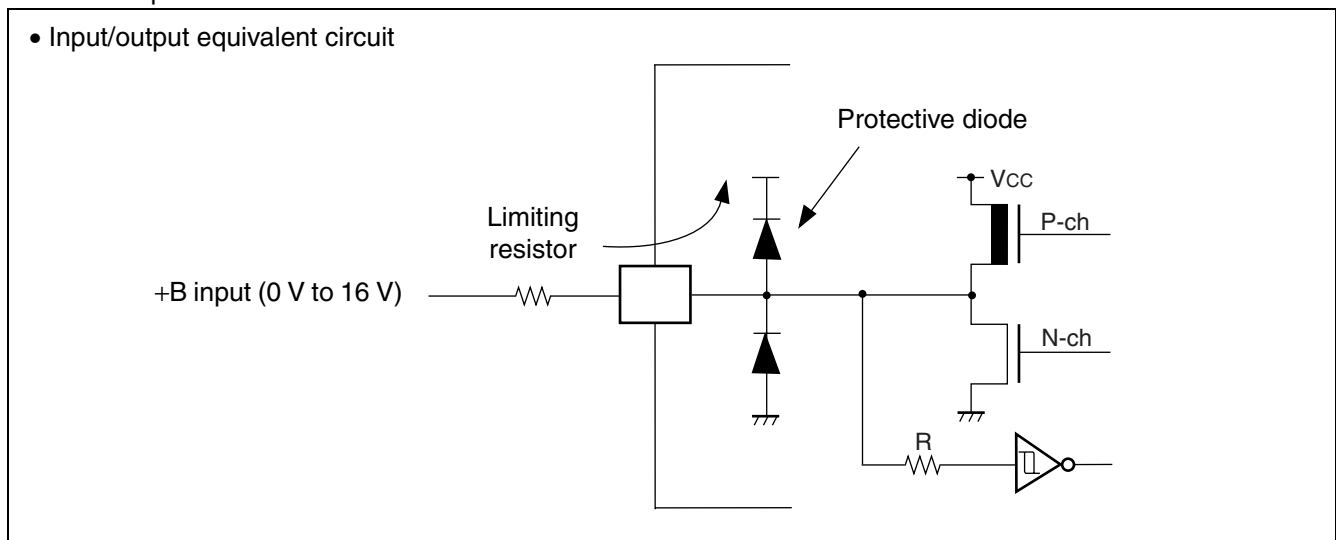
\*5 : Total average output current is defined as the value of the average current flowing through all of the corresponding pins for a 100 ms period.

(Continued)



(Continued)

- \*6 :
- Corresponding pins: Pin number 2, 3, 116, 117, 120 to 125, 134 to 145, 148 to 160, 163 to 175
  - Use within recommended operating conditions.
  - Use at DC voltage (current).
  - The +B signal is an input signal exceeding  $V_{CC}$  voltage. The +B signal should always be applied by connecting a limiting resistor between the +B signal and the microcontroller.
  - The value of the limiting resistor should be set so that the current input to the microcontroller pin does not exceed rated values at any time regardless of instantaneously or constantly when the +B signal is input.
  - Note that when the microcontroller drive current is low, such as in the low power consumption modes, the +B input potential can increase the potential at the  $V_{CC}$  pin via a protective diode, possibly affecting other devices.
  - Note that if the +B signal is input when the microcontroller is off (not fixed at 0 V), since the power is supplied through the pin, the microcontroller may operate incompletely.
  - Note that if the +B signal is input at power-on, since the power is supplied through the pin, the power supply voltage may become the voltage at which a power-on reset does not work.
  - Do not leave +B input pin open.
  - Note that analog input/output pins cannot accept +B signal input.
  - Example of recommended circuit :



**WARNING:** Semiconductor devices can be permanently damaged by application of stress (voltage, current, temperature, etc.) in excess of absolute maximum ratings. Do not exceed these ratings.

# MB91460 Series

## 2. Recommended operating conditions

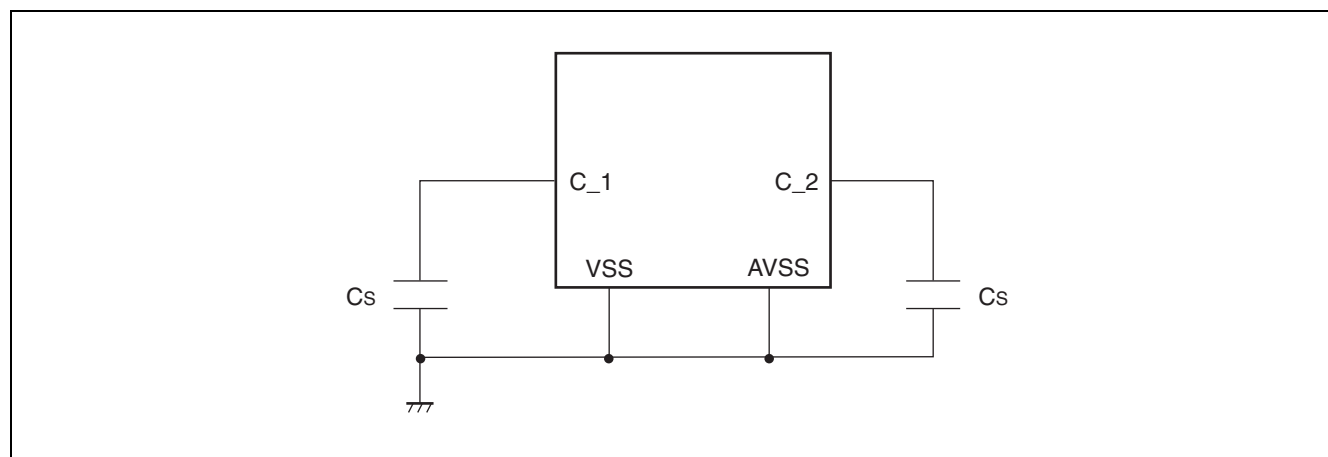
( $V_{SS} = AV_{SS} = 0.0\text{ V}$ )

Parameter	Symbol	Value			Unit	Remarks
		Min	Typ	Max		
Power supply voltage	$V_{CC5}$	4.5	—	5.5	V	
	$V_{CC3}$	3.0	—	3.6	V	
	$AV_{CC3}$	3.0	—	3.6	V	
Smoothing capacitor	$C_S$	—	4.7 (accuracy within $\pm 50\%$ )	—	$\mu\text{F}$	Use a ceramic capacitor or a capacitor having the similar frequency characteristic. For a smoothing capacitor of VCC pin, use one having a capacitance value greater than $C_S$ .
Operating temperature	$T_A$	- 40	—	+ 85	$^{\circ}\text{C}$	

**WARNING:** : The recommended operating conditions are required in order to ensure the normal operation of the semiconductor device. All of the device's electrical characteristics are warranted when the device is operated within these ranges.

Always use semiconductor devices within their recommended operating condition ranges. Operation outside these ranges may adversely affect reliability and could result in device failure.

No warranty is made with respect to uses, operating conditions, or combinations not represented on the data sheet. Users considering application outside the listed conditions are advised to contact their FUJITSU representatives beforehand.



### 3. DC characteristics

( $V_{CC5} = 4.5\text{ V to }5.5\text{ V}$ ,  $V_{CC3} = 3.0\text{ V to }3.6\text{ V}$ ,  $V_{SS} = AV_{SS} = 0\text{ V}$ ,  $T_A = -40\text{ }^\circ\text{C to }+85\text{ }^\circ\text{C}$ )

Parameter	Symbol	Pin name	Condition	Value			Unit	Remarks
				Min	Typ	Max		
"H" level input voltage	$V_{IH1}$	P14_0 to P14_3, P15_0 to P15_3, P16_7, P17_0 to P17_7, P18_0 to P18_2, P19_0 to P19_2, P19_4 to P19_6, P20_0 to P20_2, P20_4 to P20_6, P21_0 to P21_2, P21_4 to P21_6, P22_0, P22_2, P22_3, P23_0 to P23_4, P23_6, P24_0 to P24_3, P24_6, P24_7, P28_0 to P28_4, P29_0 to P29_7, NMI, BREAK, MD0 to MD3	—	$0.8 \times V_{CC}$	—	$V_{CC} + 0.3$	V	CMOS hysteresis input*1
	$V_{IH2}$	P14_0 to P14_3, P15_0 to P15_3, P16_7, P17_0 to P17_7, P18_0 to P18_2, P19_0 to P19_2, P19_4 to P19_6, P20_0 to P20_2, P20_4 to P20_6, P21_0 to P21_2, P21_4 to P21_6, P22_0, P22_2, P22_3, P23_0 to P23_4, P23_6, P24_0 to P24_3, P24_6, P24_7, P28_0 to P28_4, P29_0 to P29_7, D16 to D31, DREQ0, RDY, BRQ, ICD0 to ICD3	—	$0.7 \times V_{CC}$	—	$V_{CC} + 0.3$	V	CMOS input*1
	$V_{IH3}$	P22_4 to P22_7, P24_4, P24_5	—	$0.7 \times V_{CC}$	—	$V_{CC5} + 0.3$	V	I <sup>2</sup> C input*2

(Continued)

# MB91460 Series

( $V_{CC5} = 4.5\text{ V to }5.5\text{ V}$ ,  $V_{CC3} = 3.0\text{ V to }3.6\text{ V}$ ,  $V_{SS} = AV_{SS} = 0\text{ V}$ ,  $T_A = -40\text{ }^\circ\text{C to }+85\text{ }^\circ\text{C}$ )

Parameter	Symbol	Pin name	Condition	Value			Unit	Remarks
				Min	Typ	Max		
“L” level input voltage	$V_{IL1}$	P14_0 to P14_3, P15_0 to P15_3, P16_7, P17_0 to P17_7, P18_0 to P18_2, P19_0 to P19_2, P19_4 to P19_6, P20_0 to P20_2, P20_4 to P20_6, P21_0 to P21_2, P21_4 to P21_6, P22_0, P22_2, P22_3, P23_0 to P23_4, P23_6, P24_0 to P24_3, P24_6, P24_7, P28_0 to P28_4, P29_0 to P29_7, NMI, BREAK, MD0 to MD3	—	$V_{SS}-0.3$	—	$0.2 \times V_{CC}$	V	CMOS hysteresis input*1
	$V_{IL2}$	P14_0 to P14_3, P15_0 to P15_3, P16_7, P17_0 to P17_7, P18_0 to P18_2, P19_0 to P19_2, P19_4 to P19_6, P20_0 to P20_2, P20_4 to P20_6, P21_0 to P21_2, P21_4 to P21_6, P22_0, P22_2, P22_3, P23_0 to P23_4, P23_6, P24_0 to P24_3, P24_6, P24_7, P28_0 to P28_4, P29_0 to P29_7, D16 to D31, DREQ0, RDY, BRQ, ICD0 to ICD3	—	$V_{SS}-0.3$	—	$0.3 \times V_{CC}$	V	CMOS input*1
	$V_{IL3}$	P22_4 to P22_7, P24_4, P24_5	—	$V_{SS}-0.3$	—	$0.3 \times V_{CC3}$	V	I <sup>2</sup> C input*2

(Continued)

# MB91460 Series

( $V_{CC5} = 4.5\text{ V to }5.5\text{ V}$ ,  $V_{CC3} = 3.0\text{ V to }3.6\text{ V}$ ,  $V_{SS} = AV_{SS} = 0\text{ V}$ ,  $T_A = -40\text{ }^\circ\text{C to }+85\text{ }^\circ\text{C}$ )

Parameter	Symbol	Pin name	Condition	Value			Unit	Remarks
				Min	Typ	Max		
"H" level output voltage	$V_{OH1}$	P14_0 to P14_3, P15_0 to P15_3, P17_0 to P17_3, P18_0 to P18_2, P19_0 to P19_2, P19_4 to P19_6, P20_0 to P20_2, P20_4 to P20_6, P21_0 to P21_2, P21_4 to P21_6, P22_0, P22_2, P22_3, P23_0 to P23_4, P23_6, P24_0 to P24_3, P24_6, P24_7	$V_{CC} = 5.0\text{ V}$ , $I_{OH} = 4.0\text{ mA}$ / $V_{CC} = 3.3\text{ V}$ , $I_{OH} = 2.0\text{ mA}$	$V_{CC}-0.5$	—	—	V	3.3 V, 5 V switch pin*3
	$V_{OH2}$	P16_7, P17_4 to P17_7, P28_0 to P18_4, P29_0 to P19_7, D16 to D31, ICD0 to ICD3, A00 to A23, $\overline{AS}$ , $\overline{BGRNT}$ , CS0 to CS4, DACK0, DEOP0, ICLK, ICS0 to ICS2, $\overline{IORD}$ , $\overline{IOWR}$ , $\overline{RD}$ , SYSCLK, $\overline{WDRESET}$ , WR0, WR1	$V_{CC3} = 3.3\text{ V}$ , $I_{OH} = 4.0\text{ mA}$	$V_{CC3}-0.5$	—	—	V	3.3 V dedicated pin

(Continued)

# MB91460 Series

( $V_{CC5} = 4.5\text{ V to }5.5\text{ V}$ ,  $V_{CC3} = 3.0\text{ V to }3.6\text{ V}$ ,  $V_{SS} = AV_{SS} = 0\text{ V}$ ,  $T_A = -40\text{ }^\circ\text{C to }+85\text{ }^\circ\text{C}$ )

Parameter	Symbol	Pin name	Condition	Value			Unit	Remarks
				Min	Typ	Max		
“L” level output voltage	$V_{OL1}$	P14_0 to P14_3, P15_0 to P15_3, P17_0 to P17_3, P18_0 to P18_2, P19_0 to P19_2, P19_4 to P19_6, P20_0 to P20_2, P20_4 to P20_6, P21_0 to P21_2, P21_4 to P21_6, P22_0, P22_2, P22_3, P23_0 to P23_4, P23_6, P24_0 to P24_3, P24_6, P24_7	$V_{CC} = 5.0\text{ V}$ , $I_{OL} = 4.0\text{ mA}$ / $V_{CC} = 3.3\text{ V}$ , $I_{OL} = 2.0\text{ mA}$	—	—	0.4	V	3.3 V, 5 V switch pin*3
	$V_{OL2}$	P16_7, P17_4 to P17_7, P28_0 to P28_4, P29_0 to P29_7, D16 to D31, ICD0 to ICD3, A00 to A23, $\overline{AS}$ , $\overline{BGRNT}$ , $\overline{CS0}$ to $\overline{CS4}$ , DACK0, DEOP0, ICLK, ICS0 to ICS2, $\overline{IORD}$ , $\overline{IOWR}$ , $\overline{RD}$ , SYSCLK, $\overline{WDRESET}$ , $\overline{WR0}$ , $\overline{WR1}$	$V_{CC3} = 3.3\text{ V}$ , $I_{OL} = 4.0\text{ mA}$	—	—	0.4	V	3.3 V dedicated pin
	$V_{OL3}$	P22_4 to P22_7, P24_4, P24_5	$V_{CC3} = 3.3\text{ V}$ , $I_{OL} = 3.0\text{ mA}$	—	—	0.4	V	I <sup>2</sup> C output
Input leak current	$I_{IL}$	All input pins	$V_{CC} = DV_{CC} = AV_{CC} = 5.0\text{ V}$ , $V_{SS} < V_I < V_{CC}$	-5	—	+5	$\mu\text{A}$	
Pull-up resistance value	$P_{UP}$	$\overline{INIT}$ , pull-up pin	—	25	50	100	k $\Omega$	
Pull-down resistance value	$P_{DOWN}$	$\overline{INIT}$ , pull-up pin	—	25	50	100	k $\Omega$	

(Continued)

# MB91460 Series

(Continued)

( $V_{CC5} = 4.5 \text{ V to } 5.5 \text{ V}$ ,  $V_{CC3} = 3.0 \text{ V to } 3.6 \text{ V}$ ,  $V_{SS} = AV_{SS} = 0 \text{ V}$ ,  $T_A = -40 \text{ }^\circ\text{C to } +85 \text{ }^\circ\text{C}$ )

Parameter	Symbol	Pin name	Condition	Value			Unit	Remarks
				Min	Typ	Max		
Power supply current	$I_{CC3}$	VCC3	CPU core : 80 MHz, External bus : 40 MHz (no-load) Peripheral macro : 10 MHz CAN : 20 MHz	—	120	150	mA	
	$I_{CC5}$	VCC5	—		15	20	mA	
	$I_{CCH}$	VCC3	$T_A = +85 \text{ }^\circ\text{C}$	—	1	3	mA	At stop
		VCC3	$T_A = +85 \text{ }^\circ\text{C}$	—	10	50	$\mu\text{A}$	At shutdown
Input capacitance	$C_{IN}$	Except VCC3, VCC5, VSS, AVCC, AVSS, AVRH	$f = 1 \text{ MHz}$	—	5	15	pF	

\*1 : For a pin which can select the I/O power supply between 3.3 V and 5 V, the value is based on the power supply voltage currently used.

Although 5 V input is possible for  $\overline{\text{TRST}}$ , the input becomes CMOS hysteresis based on the input threshold value  $V_{CC3}$ .

\*2 : Although 5 V input is possible for I<sup>2</sup>C pin, the input is made based on the input threshold value  $V_{CC3}$ .

\*3 : For a pin which can select the I/O power supply between 3.3 V and 5 V, the drive capability changes depending on the power supply voltage.

# MB91460 Series

## 4. AC characteristics

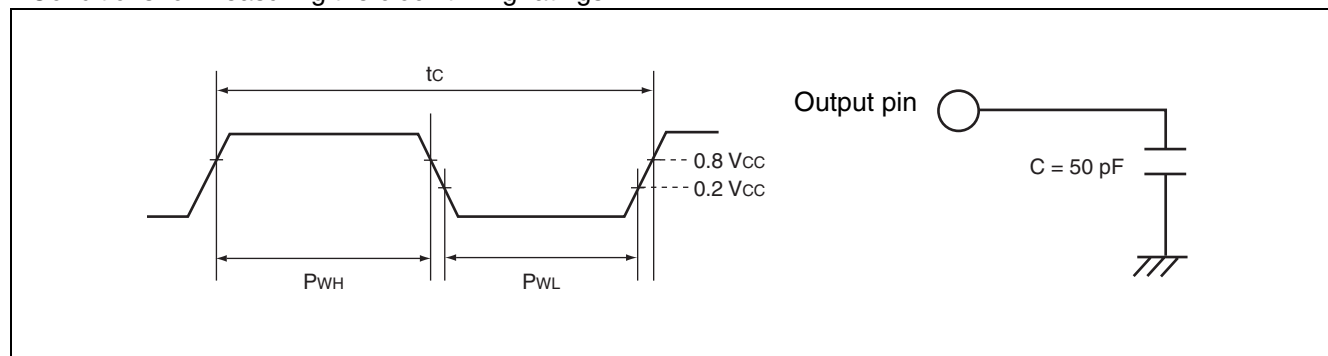
### (1) Clock timing

( $V_{CC5} = 4.5\text{ V to }5.5\text{ V}$ ,  $V_{CC3} = 3.0\text{ V to }3.6\text{ V}$ ,  $V_{SS} = AV_{SS} = 0\text{ V}$ ,  $T_A = -40\text{ }^\circ\text{C to }+85\text{ }^\circ\text{C}$ )

Parameter	Symbol	Pin name	Con- dition	Value			Unit	Remarks
				Min	Typ	Max		
Clock frequency	$f_c$	X0 X1	—	10	18.5	20	MHz	
Clock cycle time	$t_c$	X0 X1		50	54	100	ns	
Internal operation clock frequency	$f_{CP}$	—	—	4.6	—	80	MHz	CPU
	$f_{CPP}$			4.6	—	20	MHz	Peripheral
	$f_{CPT}$			4.6	—	40	MHz	External bus
	$f_{CAN}$			—	—	20	MHz	Clock after divided by CAN prescaler
Internal operation clock cycle time	$t_{CP}$	—	—	12.5	—	217	ns	CPU
	$t_{CPP}$			50	—	217	ns	Peripheral
	$t_{CPT}$			26.7	—	217	ns	External bus
	$t_{CAN}$			50	—	—	ns	Clock after divided by CAN prescaler

Note : These values are assumed based on the division setting of each clock set to 16.

#### • Conditions for measuring the clock timing ratings



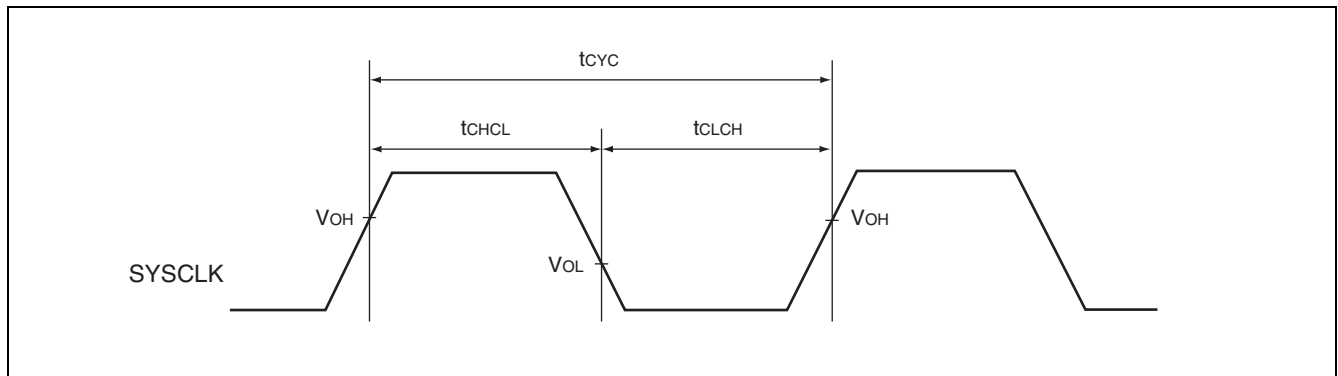


## (2) Clock output timing

( $V_{CC5} = 4.5\text{ V to }5.5\text{ V}$ ,  $V_{CC3} = 3.0\text{ V to }3.6\text{ V}$ ,  $V_{SS} = AV_{SS} = 0\text{ V}$ ,  $T_A = -40\text{ }^\circ\text{C to }+85\text{ }^\circ\text{C}$ )

Parameter	Symbol	Pin name	Condition	Value		Unit	Remarks
				Min	Max		
Cycle time	$t_{CYC}$	SYSCLK	—	$t_{CPT}$	—	ns	*
SYSCLK $\uparrow$ →SYSCLK $\downarrow$	$t_{CHCL}$	SYSCLK		12.5	108.5	ns	
SYSCLK $\downarrow$ →SYSCLK $\uparrow$	$t_{CLCH}$	SYSCLK		12.5	108.5	ns	

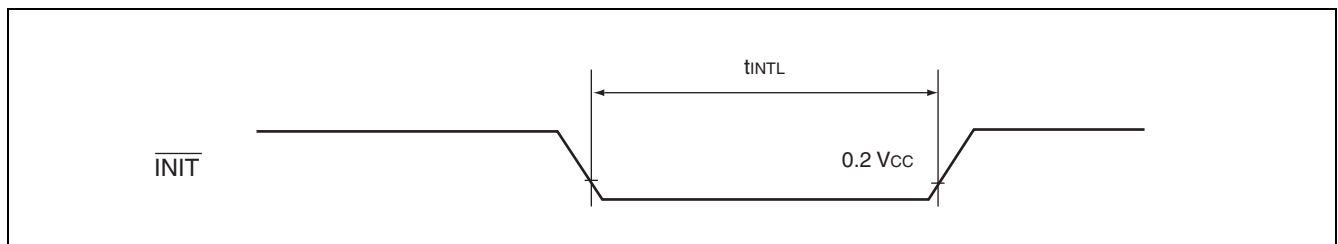
\* :  $t_{CYC}$  is the frequency of 1 clock cycle.



## (3) Reset input ratings

( $V_{CC5} = 4.5\text{ V to }5.5\text{ V}$ ,  $V_{CC3} = 3.0\text{ V to }3.6\text{ V}$ ,  $V_{SS} = AV_{SS} = 0\text{ V}$ ,  $T_A = -40\text{ }^\circ\text{C to }+85\text{ }^\circ\text{C}$ )

Parameter	Symbol	Pin name	Condition	Value		Unit
				Min	Max	
$\overline{\text{INIT}}$ input time (at power-on, at return from shutdown mode)	$t_{INTL}$	$\overline{\text{INIT}}$	—	8	—	ms
$\overline{\text{INIT}}$ input time (other than the above)				20	—	$\mu\text{s}$



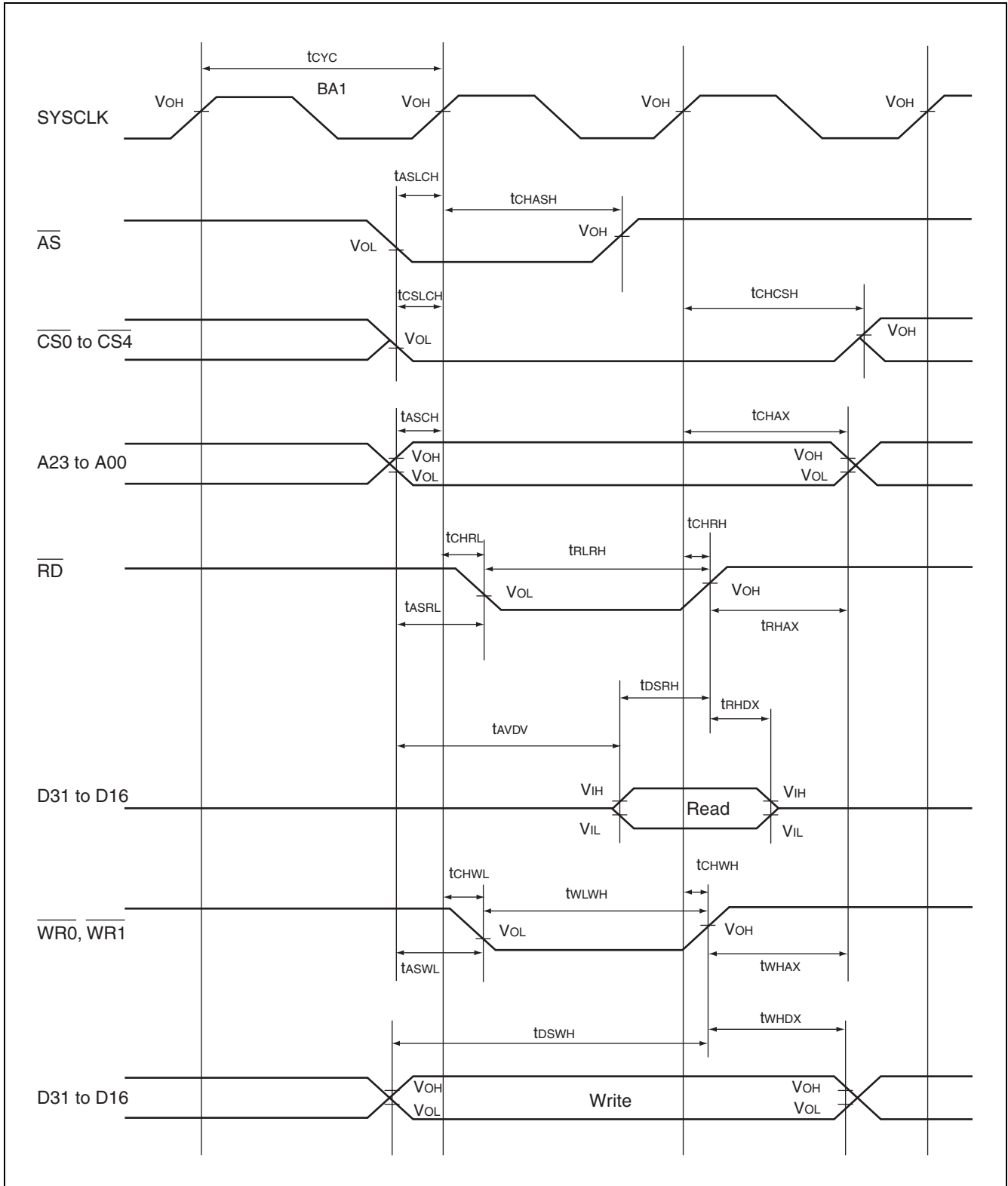
# MB91460 Series

## (4) Normal bus access read/write operation

(V<sub>CC3</sub> = 3.0 V to 3.6 V, V<sub>SS</sub> = AV<sub>SS</sub> = 0 V, T<sub>A</sub> = -40 °C to +85 °C)

Parameter	Symbol	Pin name	Condition	Value		Unit	Remarks
				Min	Max		
$\overline{CS0}$ to $\overline{CS4}$ setup	t <sub>CSLCH</sub>	SYSCLK $\overline{CS0}$ to $\overline{CS4}$	—	3	—	ns	
	t <sub>CSDLCH</sub>			-3	—	ns	
$\overline{CS0}$ to $\overline{CS4}$ hold	t <sub>CHCSH</sub>			3	t <sub>cyc</sub> /2 + 6	ns	
Address setup	t <sub>ASCH</sub>	SYSCLK A23 to A00		3	—	ns	
	t <sub>ASWL</sub>	$\overline{WR0}$ , $\overline{WR1}$ A23 to A00		3	—	ns	
	t <sub>ASRL</sub>	$\overline{RD}$ A23 to A00		3	—	ns	
Address hold	t <sub>CHAX</sub>	SYSCLK A23 to A00		3	t <sub>cyc</sub> /2 + 6	ns	
	t <sub>WHAX</sub>	$\overline{WR0}$ , $\overline{WR1}$ A23 to A00		3	—	ns	
	t <sub>RHAX</sub>	$\overline{RD}$ A23 to A00		3	—	ns	
Valid address/valid data input time	t <sub>AVDV</sub>	A23 to A00 D31 to D16		—	3/2 × t <sub>cyc</sub> - 15	ns	*
$\overline{WR0}$ , $\overline{WR1}$ delay time	t <sub>CHWL</sub>	SYSCLK $\overline{WR0}$ , $\overline{WR1}$		—	6	ns	
	t <sub>CHWH</sub>			—	6	ns	
Data setup time (WR <sub>n</sub> rising)	t <sub>DSWH</sub>	D31 to D16 $\overline{WR0}$ , $\overline{WR1}$		t <sub>cyc</sub> - 3	—	ns	
Data hold time (WR <sub>n</sub> rising)	t <sub>WHDX</sub>	D31 to D16 $\overline{WR0}$ , $\overline{WR1}$		3	—	ns	
$\overline{WR0}$ , $\overline{WR1}$ minimum pulse width	t <sub>WLWH</sub>	$\overline{WR0}$ , $\overline{WR1}$		t <sub>cyc</sub> - 3	—	ns	
$\overline{RD}$ delay time	t <sub>CHRL</sub>	SYSCLK $\overline{RD}$		—	6	ns	
	t <sub>CHRH</sub>			—	6	ns	
Data setup time ( $\overline{RD}$ rising)	t <sub>DSRH</sub>	D31 to D16 $\overline{RD}$		20	—	ns	
Data hold time ( $\overline{RD}$ rising)	t <sub>RHDX</sub>	D31 to D16 $\overline{RD}$		0	—	ns	
$\overline{RD}$ minimum pulse width	t <sub>RLRH</sub>	$\overline{RD}$		t <sub>cyc</sub> - 3	—	ns	
$\overline{AS}$ setup	t <sub>ASLCH</sub>	SYSCLK $\overline{AS}$		3	—	ns	
$\overline{AS}$ hold	t <sub>CHASH</sub>			3	t <sub>cyc</sub> /2 + 6	ns	

\* : When the bus timing is delayed by automatic wait insertion or RDY input, add the time (t<sub>cyc</sub> × the number of cycles added for the delay) to this rating.

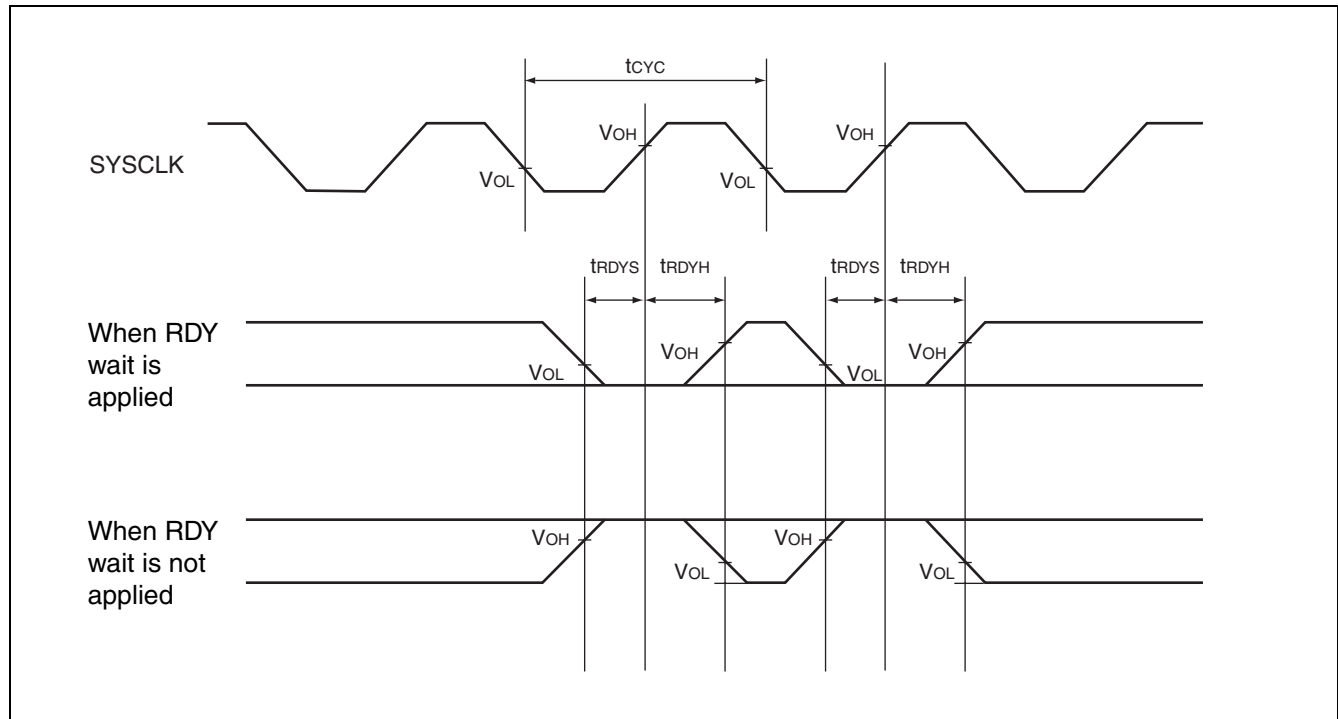


# MB91460 Series

## (5) Ready input timing

( $V_{CC3} = 3.0\text{ V to } 3.6\text{ V}$ ,  $V_{SS} = AV_{SS} = 0\text{ V}$ ,  $T_A = -40\text{ }^\circ\text{C to } +85\text{ }^\circ\text{C}$ )

Parameter	Symbol	Pin name	Condition	Value		Unit
				Min	Max	
RDY setup time → SYSCLK ↓	$t_{RDYS}$	SYSCLK RDY	—	10	—	ns
SYSCLK ↑ → RDY hold time	$t_{RDYH}$	SYSCLK RDY		0	—	ns

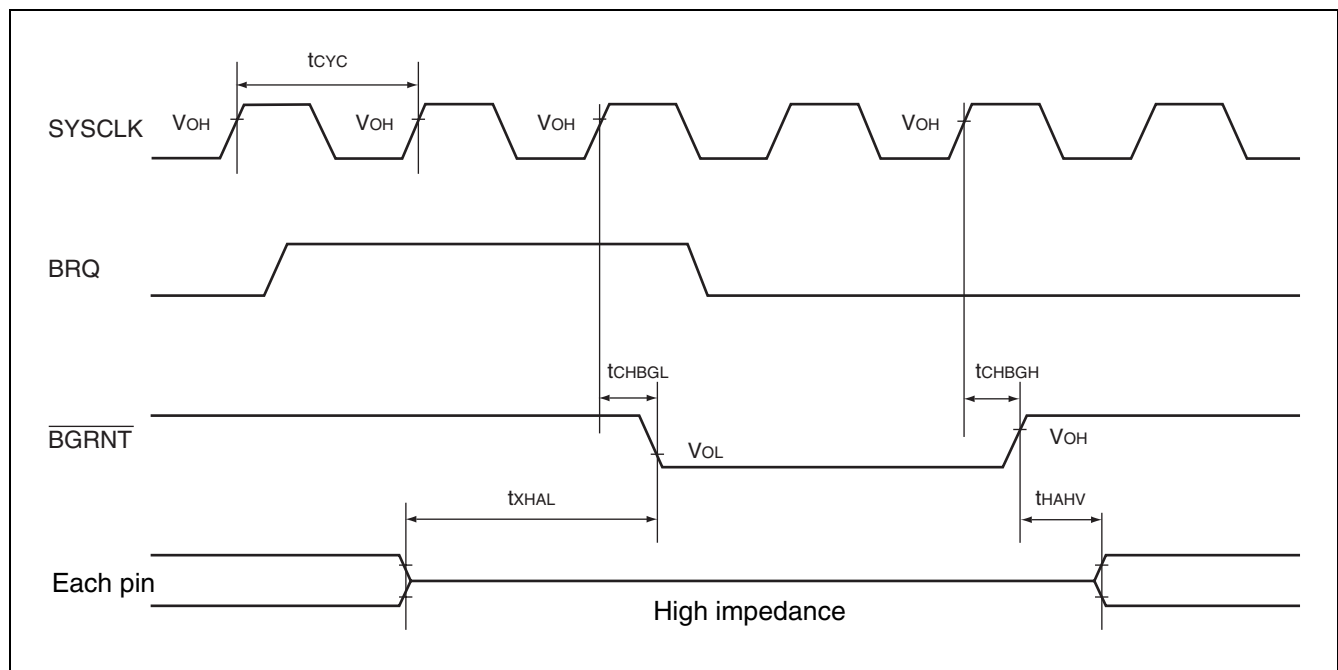


## (6) Hold timing

( $V_{CC3} = 3.0\text{ V to } 3.6\text{ V}$ ,  $V_{SS} = AV_{SS} = 0\text{ V}$ ,  $T_A = -40\text{ }^\circ\text{C to } +85\text{ }^\circ\text{C}$ )

Parameter	Symbol	Pin name	Condition	Value		Unit
				Min	Max	
$\overline{\text{BGRNT}}$ delay time	$t_{\text{CHBGL}}$	SYSCLK $\overline{\text{BGRNT}}$	—	—	10	ns
	$t_{\text{CHBGH}}$			—	10	ns
$\overline{\text{BGRNT}}$ rising from pin floating	$t_{\text{XHAL}}$	—		$t_{\text{CYC}} - 10$	$t_{\text{CYC}} + 10$	ns
$\overline{\text{BGRNT}}$ rising from pin valid	$t_{\text{HAHV}}$	$\overline{\text{BGRNT}}$		$t_{\text{CYC}} - 10$	$t_{\text{CYC}} + 10$	ns

Note : After a BRQ is captured, a minimum of 1 cycle is required before  $\overline{\text{BGRNT}}$  changes.



# MB91460 Series

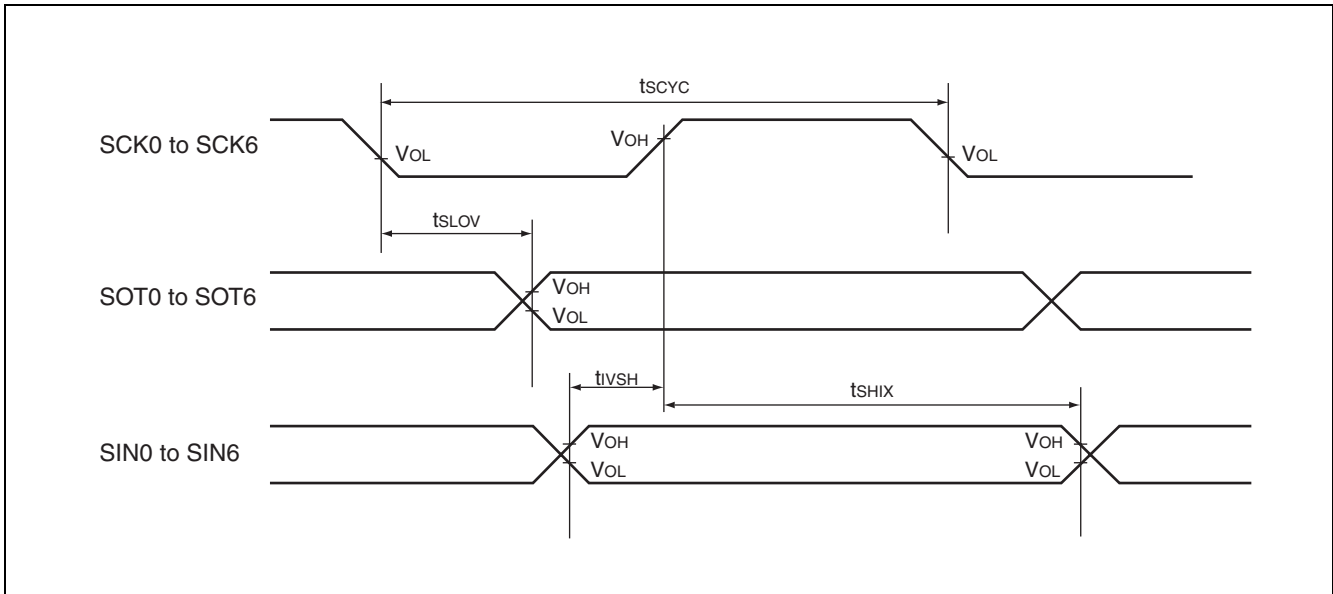
## (7) LIN-UART timing

( $V_{CC5} = 4.5\text{ V to }5.5\text{ V}$ ,  $V_{CC3} = 3.0\text{ V to }3.6\text{ V}$ ,  $V_{SS} = AV_{SS} = 0\text{ V}$ ,  $T_A = -40\text{ }^{\circ}\text{C to }+85\text{ }^{\circ}\text{C}$ )

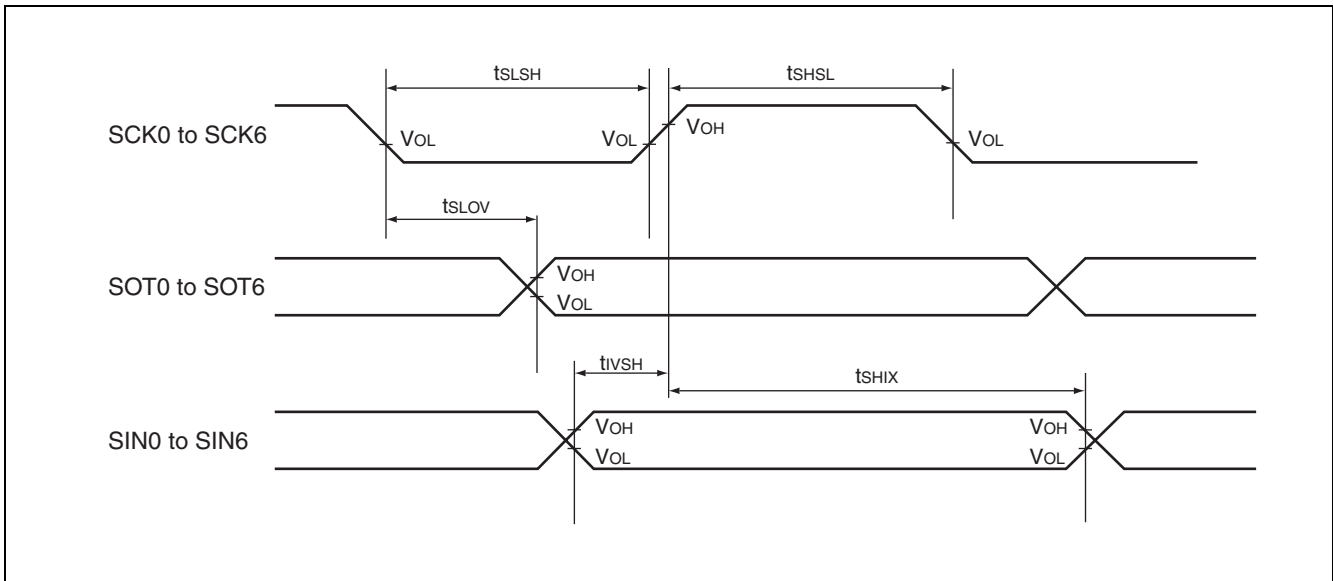
Parameter	Symbol	Pin name	Condition	Value		Unit
				Min	Max	
Serial clock cycle time	$t_{SCYC}$	SCK0 to SCK6	Internal shift clock mode	$5t_{CYCP}$	—	ns
SCK ↓ → SOT delay time	$t_{SLOV}$	SCK0 to SCK6, SOT0 to SOT6		- 50	+ 50	ns
Valid SIN → SCK ↑	$t_{IVSH}$	SCK0 to SCK6, SIN0 to SIN6		$t_{CYCP} + 80$	—	ns
SCK ↑ → valid SIN hold time	$t_{SHIX}$	SCK0 to SCK6, SIN0 to SIN6		0	—	ns
Serial clock "H" pulse width	$t_{SHSL}$	SCK0 to SCK6	External shift clock mode	$t_{CYCP} + 10$	—	ns
Serial clock "L" pulse width	$t_{SLSH}$	SCK0 to SCK6		$3t_{CYCP}$	—	ns
SCK ↓ → SOT delay time	$t_{SLOV}$	SCK0 to SCK6, SOT0 to SOT6		—	150	ns
Valid SIN → SCK ↑	$t_{IVSH}$	SCK0 to SCK6, SIN0 to SIN6		30	—	ns
SCK ↑ → valid SIN hold time	$t_{SHIX}$	SCK0 to SCK6, SIN0 to SIN6		$t_{CYCP} + 30$	—	ns
SCK rising time	$t_F$	SCK0 to SCK6		—	10	ns
SCK falling time	$t_R$	SCK0 to SCK6		—	10	ns

Notes : • Above values are AC characteristics for CLK synchronous mode.  
 •  $t_{CYCP}$  is the cycle time of the peripheral clock.

- Internal shift clock mode



- External shift clock mode



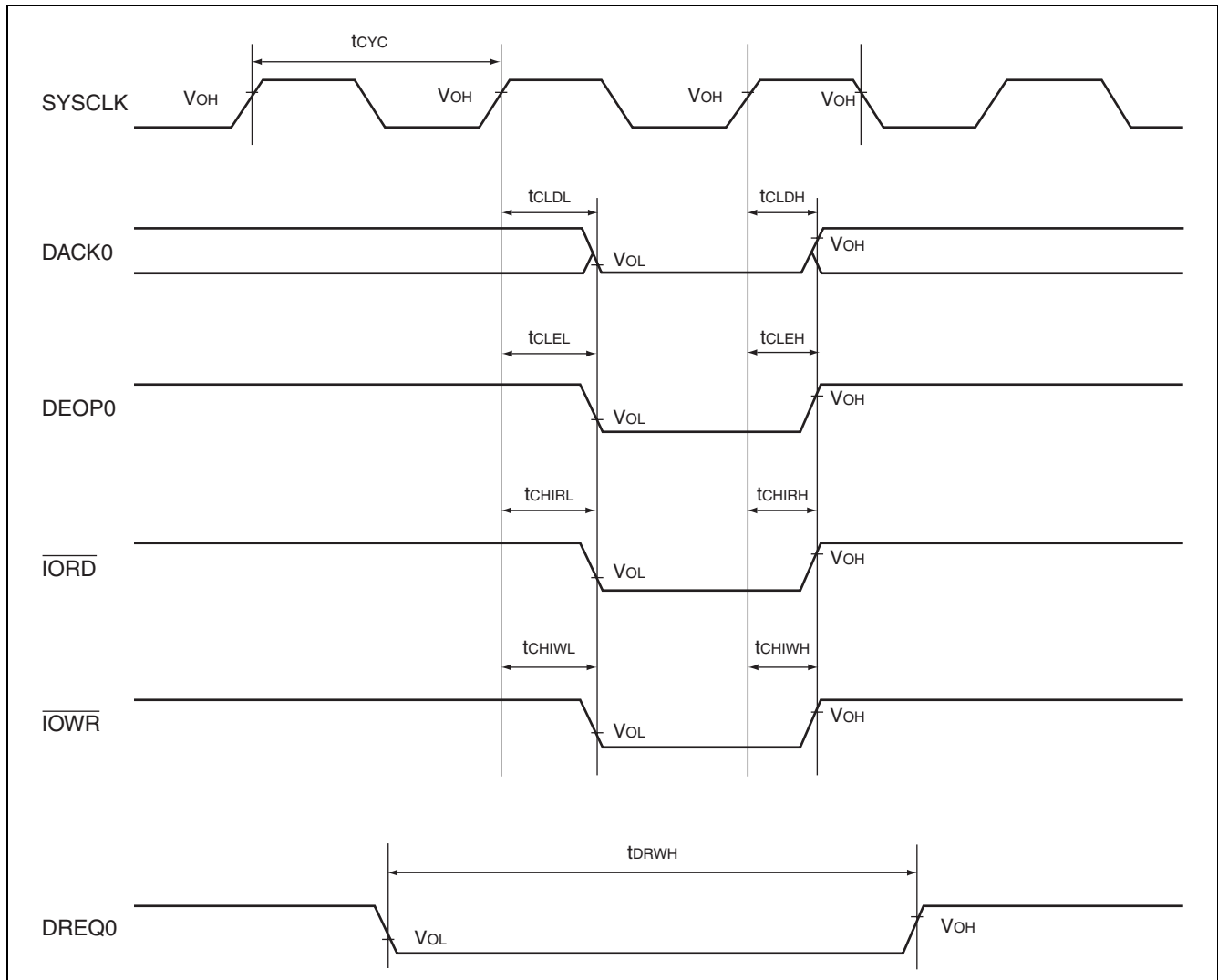
# MB91460 Series

## (8) DMA controller timing

( $V_{CC3} = 3.0\text{ V to } 3.6\text{ V}$ ,  $V_{SS} = AV_{SS} = 0\text{ V}$ ,  $T_A = -40\text{ }^\circ\text{C to } +85\text{ }^\circ\text{C}$ )

Parameter	Symbol	Pin name	Condition	Value		Unit
				Min	Max	
DREQ0 input pulse	$t_{DRWH}$	DREQ0	—	—	10	ns
DACK0 delay time	$t_{CLDL}$	DACK0		—	10	ns
	$t_{CLDH}$			—	10	ns
DEOP0 delay time	$t_{CLEL}$	DEOP0		—	10	ns
	$t_{CLEH}$			—	10	ns
$\overline{\text{IORD}}$ delay time	$t_{CHIRL}$	$\overline{\text{IORD}}$		—	10	ns
	$t_{CHIRH}$			—	10	ns
$\overline{\text{IOWR}}$ delay time	$t_{CHWL}$	$\overline{\text{IOWR}}$		—	10	ns
	$t_{CHWH}$		—	10	ns	

Note : After a BREQ is captured, a minimum of 1 cycle is required before  $\overline{\text{BGRNT}}$  changes.



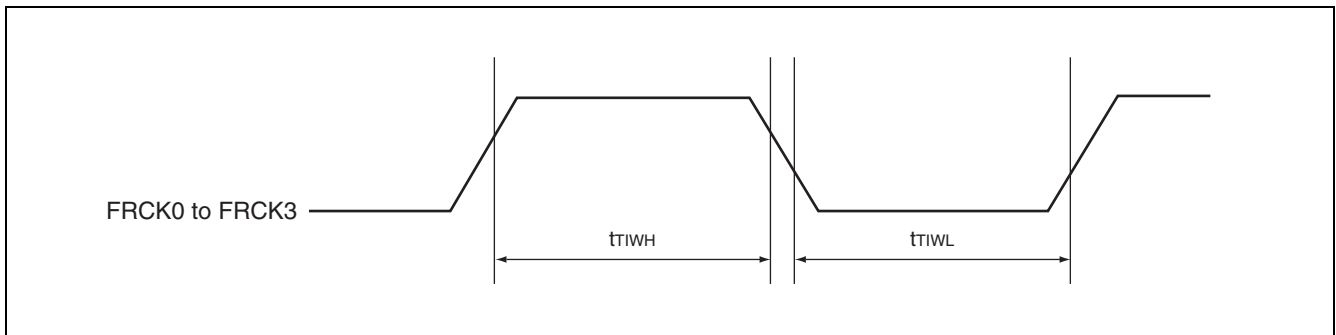


## (9) Free-run timer clock

( $V_{CC5} = 4.0\text{ V to }5.5\text{ V}$ ,  $V_{CC3} = 3.0\text{ V to }3.6\text{ V}$ ,  $V_{SS} = AV_{SS} = 0\text{ V}$ ,  $T_A = -40\text{ }^\circ\text{C to }+85\text{ }^\circ\text{C}$ )

Parameter	Symbol	Pin name	Condition	Value		Unit
				Min	Max	
Input pulse width	$t_{TIWH}$ $t_{TIWL}$	FRCK0 to FRCK3	—	$4t_{CYCP}$	—	ns

Note :  $t_{CYCP}$  is the cycle time of the peripheral clock.

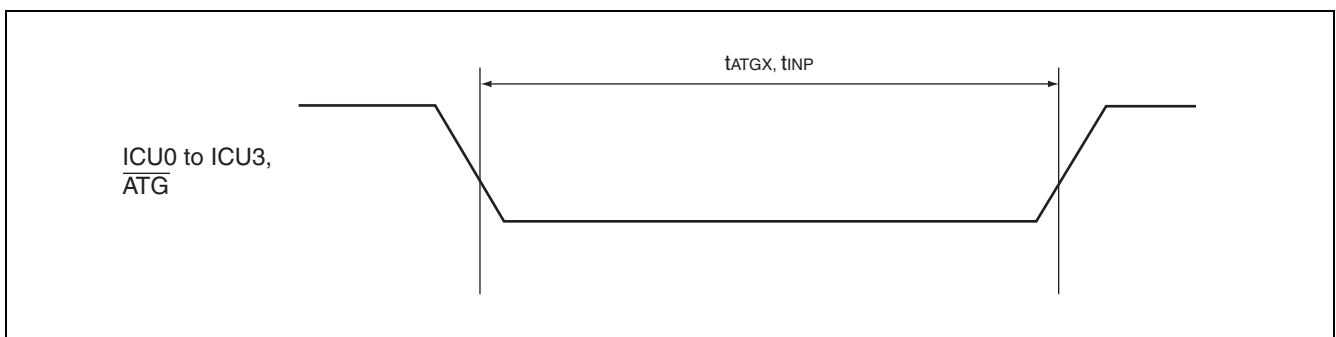


## (10) Trigger input timing

( $V_{CC5} = 4.0\text{ V to }5.5\text{ V}$ ,  $V_{CC3} = 3.0\text{ V to }3.6\text{ V}$ ,  $V_{SS} = AV_{SS} = 0\text{ V}$ ,  $T_A = -40\text{ }^\circ\text{C to }+85\text{ }^\circ\text{C}$ )

Parameter	Symbol	Pin name	Condition	Value		Unit
				Min	Max	
Input capture input trigger	$t_{INP}$	ICU0 to ICU3	—	$5t_{CYCP}$	—	ns
A/D converter trigger	$t_{ATGX}$	$\overline{ATG}$	—	$5t_{CYCP}$	—	ns

Note :  $t_{CYCP}$  is the cycle time of the peripheral clock.



# MB91460 Series

## 5. A/D converter

### (1) Electrical characteristics

( $V_{CC3} = 3.0\text{ V to } 3.6\text{ V}$ ,  $V_{SS} = AV_{SS} = 0\text{ V}$ ,  $T_A = -40\text{ }^\circ\text{C to } +85\text{ }^\circ\text{C}$ )

Parameter	Symbol	Pin name	Value			Unit	Remarks
			Min	Typ	Max		
Resolution	—	—	—	—	10	bit	
Total error*1	—	—	—	—	$\pm 3$	LSB	At $AV_{CC3} = 3.3\text{ V}$ , $AVRH = 3.3\text{ V}$
Linearity error*1	—	—	—	—	$\pm 2.5$	LSB	
Differential linearity error*1	—	—	—	—	$\pm 1.9$	LSB	
Zero transition voltage*1	$V_{OT}$	AN0 to AN12	$AVRL-1.5$	$AVRL-0.5$	$AVRL-2.5$	LSB	
Full transition voltage*1	$V_{FST}$	AN0 to AN12	$AVRH-3.5$	$AVRH-1.5$	$AVRH-0.5$	LSB	
Conversion time	—	—	1 *2	—	—	$\mu\text{s}$	
Analog port input current	$I_{AIN}$	AN0 to AN12	—	—	10	$\mu\text{A}$	
Analog input voltage	$V_{AIN}$	AN0 to AN12	$AV_{SS}$	—	$AVRH$	V	
Reference voltage	—	$AVRH$	$AV_{SS}$	—	$AV_{CC3}$	V	
Analog power supply current (analog + digital)	$I_A$	$AV_{CC3}$	—	1.5	2.5	mA	Including reference supply
	$I_{AH}^{*3}$		—	—	10	$\mu\text{A}$	
Analog input equivalent capacity	$C_{in}$	AN0 to AN12	—	—	14.7	pF	
Analog input equivalent resistance	$R_{in}$	AN0 to AN12	—	—	1.9	k $\Omega$	$AV_{CC3} \geq 2.7\text{ V}$
Output impedance of analog signal source	$R_{ext}$	—	—	—	1.9	k $\Omega$	$AV_{CC3} \geq 2.7\text{ V}$

\*1 : Measured in the CPU sleep state

\*2 : Set the peripheral clock and conversion time setting register to set a time equal to or longer than this time.

\*3 : The current when A/D converter is not operating, or in the CPU stop mode (at  $V_{CC3} = AV_{CC3} = AVRH = 3.3\text{ V}$ ).

## (2) Cautions Relating to the A/D Converter

The diagram below shows the equivalent circuit of the sampling circuit in the A/D converter.

The output impedance of the external circuit connected to the analog input must satisfy the following criteria.

- The recommended output impedance for the external circuit is 1.9 kΩ or less.
- If an external capacitor is used, remember to consider the capacitive voltage divider effect due to the external capacitor and the internal capacitor in the chip. Accordingly, an external capacitance several thousand times that of the internal capacitance is recommended.
- The analog voltage sampling period may be too short if the output impedance of the external circuit is high. In this case, select  $R_{ext}$  and  $T_{smp}$  such that they satisfy the following condition.

$$R_{ext} = T_{smp} / (7 \times C_{in}) - R_{in}$$

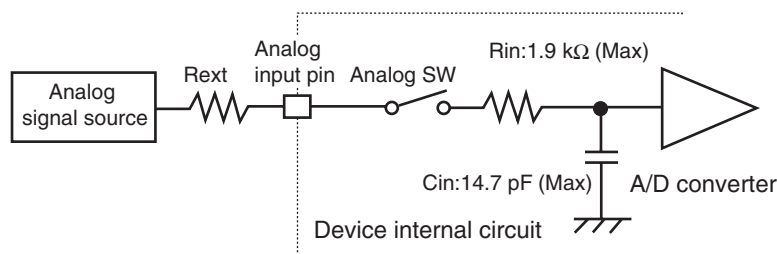
$R_{ext}$  : Output impedance of the analog signal source

$T_{smp}$  : Sampling time

$C_{in}$  : Equivalent capacitance of analog input

$R_{in}$  : Equivalent resistance of analog input

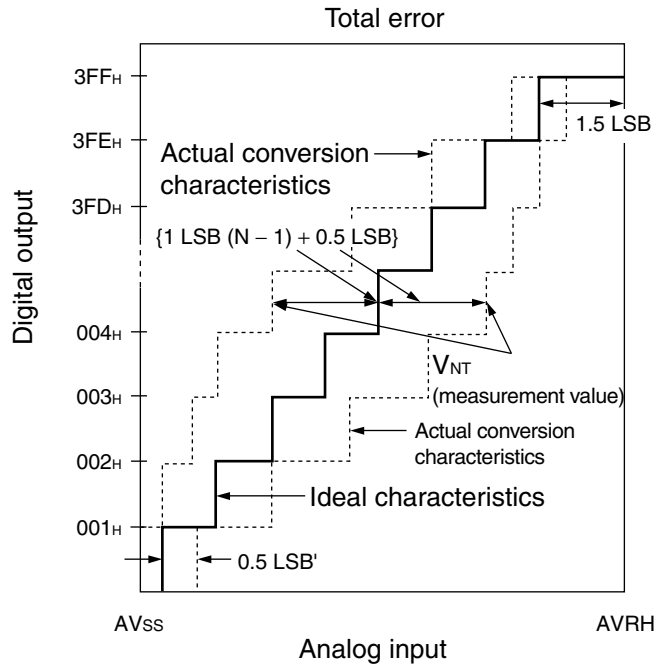
### • Input impedance



# MB91460 Series

## (3) Definition of A/D converter terms

- Resolution  
Analog variation that is recognizable by an A/D converter.
- Linearity error  
Deviation between actual conversion characteristics and a straight line connecting zero transition point (00 0000 0000 ↔ 00 0000 0001) and full scale transition point (11 1111 1110 ↔ 11 1111 1111).
- Differential linearity error  
Deviation of input voltage, which is required for changing output code by 1 LSB, from an ideal value.
- Total error  
This error indicates the difference between actual and theoretical values, including the zero transition error/full scale transition error/linearity error.



$$1\text{LSB}' \text{ (ideal value)} = \frac{\text{AVRH} - \text{AVSS}}{1024} \text{ [V]}$$

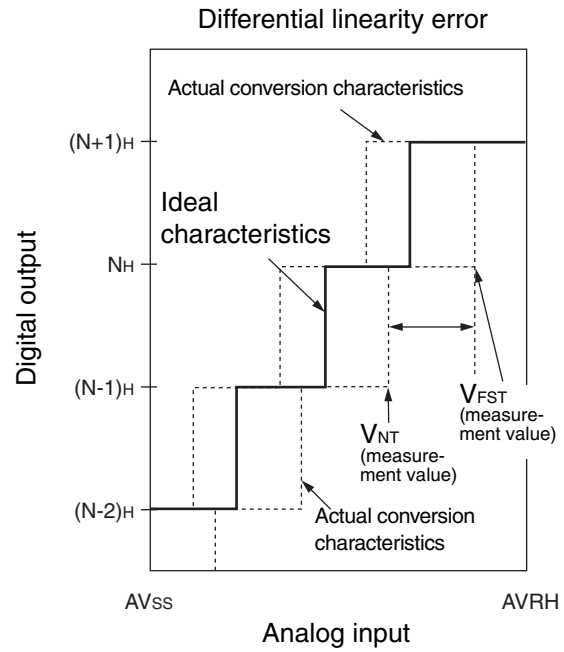
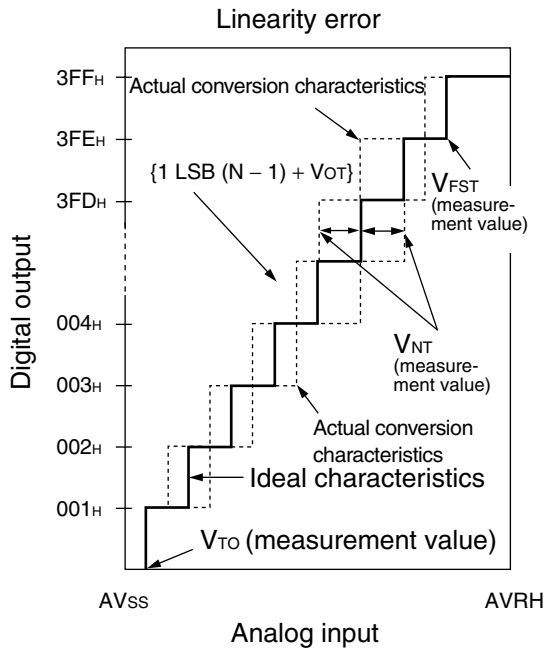
$$\text{Total error of digital output } N = \frac{V_{\text{NT}} - \{1\text{LSB}' \times (N - 1) + 0.5\text{LSB}'\}}{1\text{LSB}'}$$

N : A/D converter digital output value

V<sub>OT</sub>' (ideal value) = AVSS + 0.5LSB' [V]

V<sub>FST</sub>' (ideal value) = AV - 1.5LSB' [V]

V<sub>NT</sub> : A voltage at which digital output transits from (N + 1)<sub>H</sub> to N<sub>H</sub>



$$\text{Linearity error of digital output } N = \frac{V_{NT} - \{1\text{LSB} \times (N - 1) + V_{OT}\}}{1\text{LSB}} \text{ [LSB]}$$

$$\text{Differential linearity error of digital output } N = \frac{V_{(N+1)T} - V_{NT}}{1\text{LSB}} \text{ [LSB]}$$

$$1\text{LSB} = \frac{V_{FST} - V_{OT}}{1022} \text{ [V]}$$

N : A/D converter digital output value

$V_{OT}$  : A voltage at which digital output transits from 000<sub>H</sub> to 001<sub>H</sub>.

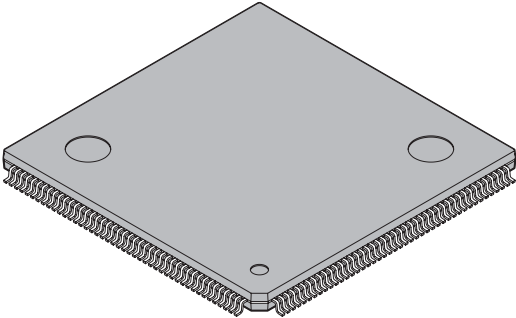
$V_{FST}$  : A voltage at which digital output transits from 3FE<sub>H</sub> to 3FF<sub>H</sub>.

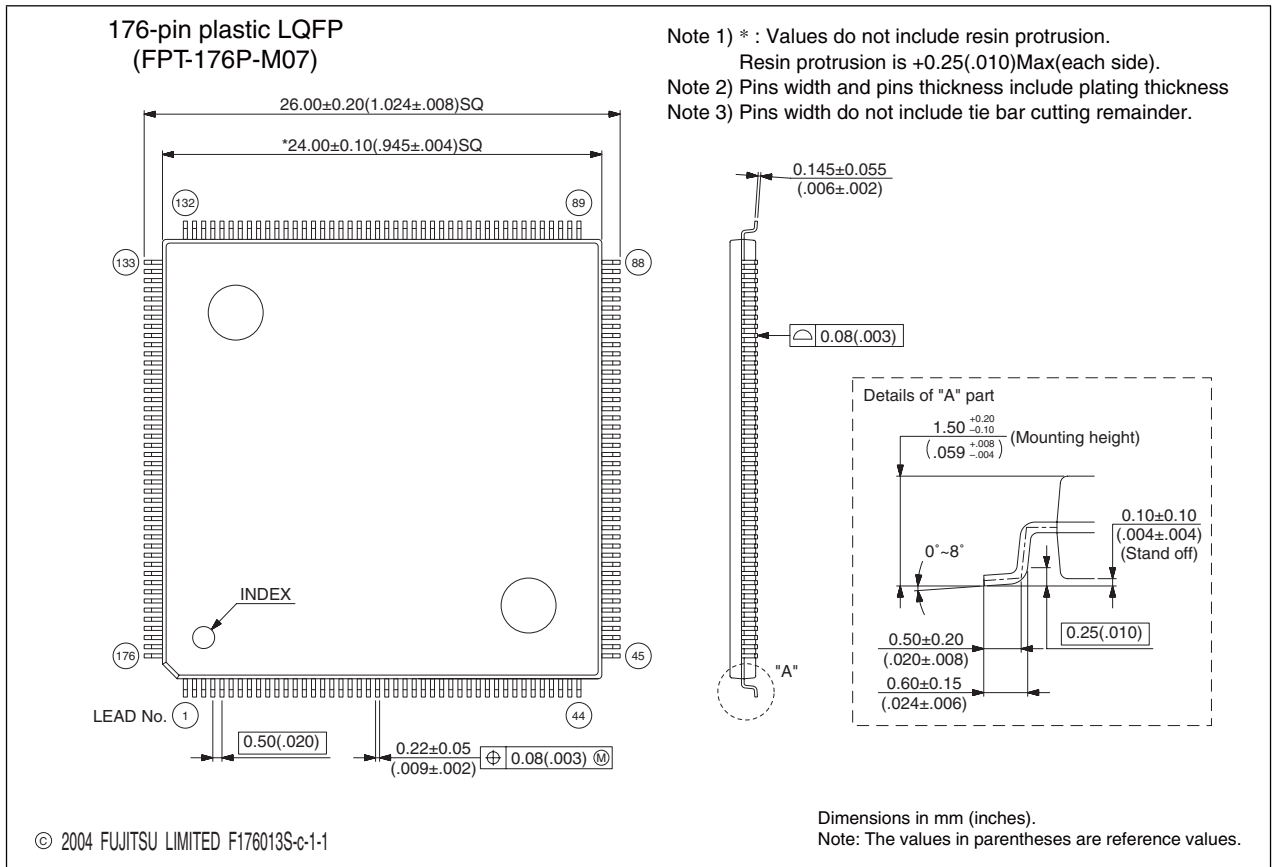
# MB91460 Series

## ■ ORDERING INFORMATION

Part number	Package	Remarks
MB91461PMC-GSE1	176-pin, plastic LQFP (FPT-176P-M07)	Lead-free package

## PACKAGE DIMENSION

<p>176-pin plastic LQFP</p>  <p>(FPT-176P-M07)</p>	Lead pitch	0.50 mm
	Package width × package length	24.0 × 24.0 mm
	Lead shape	Gullwing
	Sealing method	Plastic mold
	Mounting height	1.70 mm MAX
	Code (Reference)	P-LQFP-0176-2424-0.50



Please confirm the latest Package dimension by following URL.  
<http://edevic.fujitsu.com/fj/DATASHEET/ef-ovpkiv.html>

# MB91460 Series

The information for microcontroller supports is shown in the following homepage.  
<http://www.fujitsu.com/global/services/microelectronics/product/micom/support/index.html>

## FUJITSU LIMITED

All Rights Reserved.

The contents of this document are subject to change without notice. Customers are advised to consult with FUJITSU sales representatives before ordering.

The information, such as descriptions of function and application circuit examples, in this document are presented solely for the purpose of reference to show examples of operations and uses of Fujitsu semiconductor device; Fujitsu does not warrant proper operation of the device with respect to use based on such information. When you develop equipment incorporating the device based on such information, you must assume any responsibility arising out of such use of the information. Fujitsu assumes no liability for any damages whatsoever arising out of the use of the information.

Any information in this document, including descriptions of function and schematic diagrams, shall not be construed as license of the use or exercise of any intellectual property right, such as patent right or copyright, or any other right of Fujitsu or any third party or does Fujitsu warrant non-infringement of any third-party's intellectual property right or other right by using such information. Fujitsu assumes no liability for any infringement of the intellectual property rights or other rights of third parties which would result from the use of information contained herein.

The products described in this document are designed, developed and manufactured as contemplated for general use, including without limitation, ordinary industrial use, general office use, personal use, and household use, but are not designed, developed and manufactured as contemplated (1) for use accompanying fatal risks or dangers that, unless extremely high safety is secured, could have a serious effect to the public, and could lead directly to death, personal injury, severe physical damage or other loss (i.e., nuclear reaction control in nuclear facility, aircraft flight control, air traffic control, mass transport control, medical life support system, missile launch control in weapon system), or (2) for use requiring extremely high reliability (i.e., submersible repeater and artificial satellite).

Please note that Fujitsu will not be liable against you and/or any third party for any claims or damages arising in connection with above-mentioned uses of the products.

Any semiconductor devices have an inherent chance of failure. You must protect against injury, damage or loss from such failures by incorporating safety design measures into your facility and equipment such as redundancy, fire protection, and prevention of over-current levels and other abnormal operating conditions.

If any products described in this document represent goods or technologies subject to certain restrictions on export under the Foreign Exchange and Foreign Trade Law of Japan, the prior authorization by Japanese government will be required for export of those products from Japan.

The company names and brand names herein are the trademarks or registered trademarks of their respective owners.

Edited Business Promotion Dept.