

ELECTRONICA HI FI SAC & HiFiKits

Especificaciones Para Módulo LCD

TS1620A-17(V1.0)

MODULO: TS1620A-21(V1.0)

COMPRADOR:

ELECTRONICA HI FI SAC & HiFiKits

REV	DATE	CHANGE DETAIL	ORIGINATOR	REMARKS
1	2007.5.29	FIRST ISSUE	JC LIANG	

TABLE OF CONTENTS

1.0 INTRODUCTION

2.0 FEATURE

3.0 DIMENSION DIAGRAM

4.0 MECHANICAL SPECIFICATIONS

5.0 INTERFACE PIN FUNCTION

DESCRIPTION

6. POWER SUPPLY BLOCK DIAGRAM

7. AC characteristics

8. CONTROL and DISPLAY COMMAND

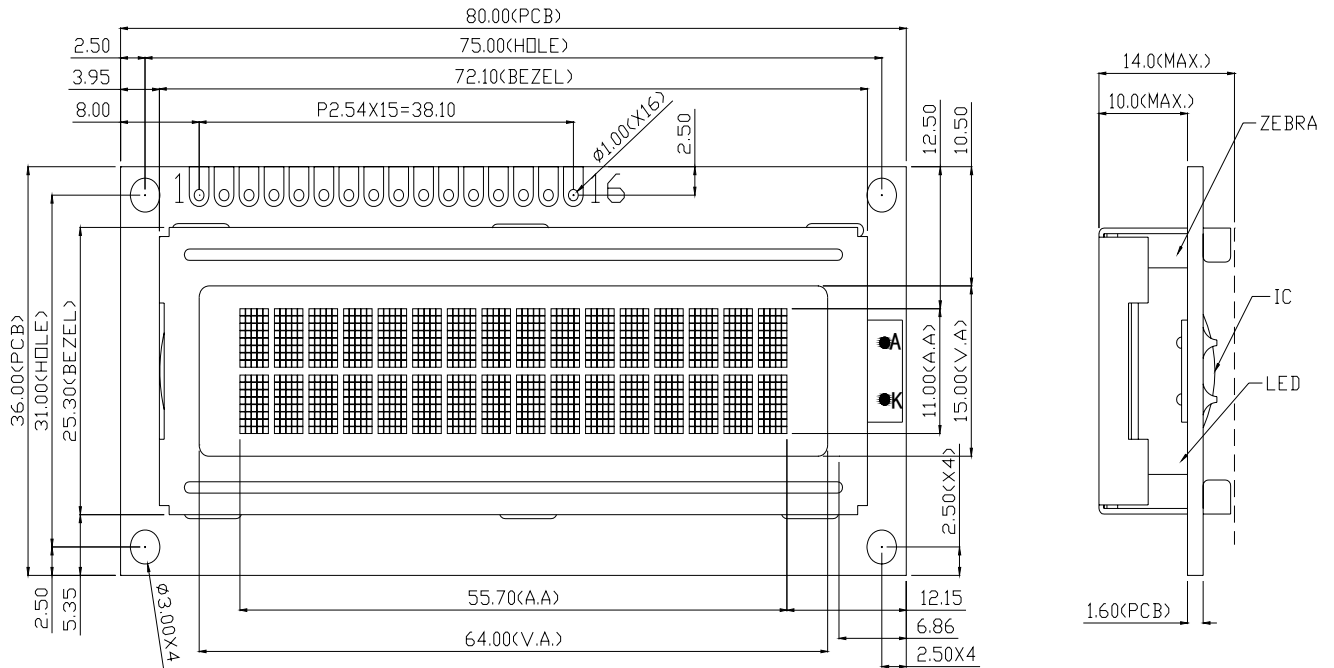
1.0 INTRODUCTION

This USER'S MANUAL is introduced the outside dimensions, optical characteristics, electrical characteristics, interface, controller commands, etc. of the custom design LCD module.

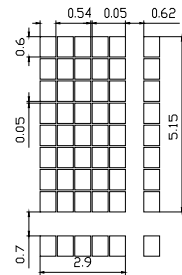
2.0 FEATURE

- Display Mode: STN, Negative, Transmission Blue or STN Positive,transmissive,YG
- Display forma: 16 Character x 2 Line
- Viewing Direction: 6:00 clock
- Display Font : 5 x 8 Dots
- Driving Scheme : 1/16Duty,1/5Bias
- Power Supply : Single Power Supply (+5V)
- VLCD Voltage: 4.7V
- Control IC: ST7066U-0A ,ST7065C
- Operating Temperature:-10°C - 60°C
- Storage Temperature:-20°C - 70°C
- BACKLIGHT : White light or yellow green

3.0 DIMENSION DIAGRAM



1	2	3	4	5	6	7	8	9	10	11	12	13	14	15	16
VSS	VDD	VO	RS	R/W	E	DB0	DB1	DB2	DB3	DB4	DB5	DB6	DB7	BLA	BLK



4.0 MECHANICAL SPECIFICATIONS

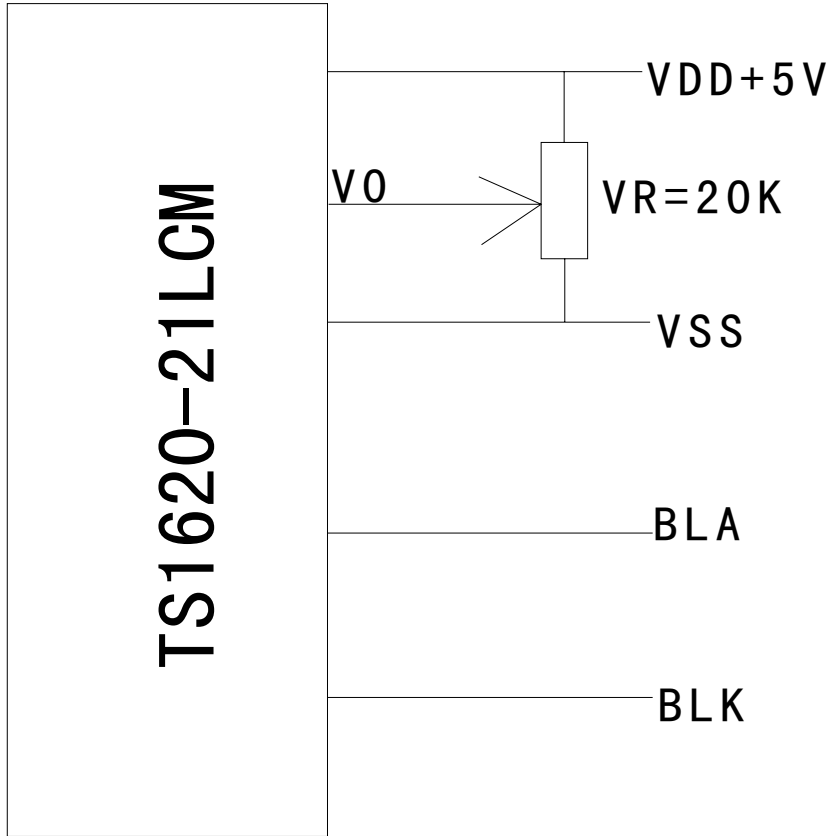
ITEM	STANDARD VALUE	UNIT
DOTS	5*8	-
DOT SIZE	5.15X2.9	mm
DOT PITCH	0.54X0.59	mm
MODULE DIMENSION	80 (W) × 36(H)	mm
EFFECTIVE DISPLAY AREA	64(W) ×15 (H)	mm

5.0 INTERFACE PIN FUNCTION DESCRIPTION

PIN NO	SYMBOL	FUNCTION
1	VSS	Ground.(0V)
2	VDD	Power supply for logic circuit (+5V)
3	V0	Power supply for LCD
4	RS	Select registers. 0:Instruction registers.(for write) Busy flag: address counter(for read) 1:Data register(for writer and read)
5	R/W	Select read or write 0:Write 1:Read
6	E	Starts data read/write
7-10	DB0-DB4	Four low order bi-directional tristate data bus Pins Used for data transfer and receive Between the MPU and the ST7066U.DB7 can Be used as busy flag.
11-14	DB5	Four low order bi-directional tristate data bus pins.Used for data tranfer and receive Between the MPU and the ST7066U. These pins are not used during 4-bit operation
15	BLA	Power supply for BACKLIGHT(+5V)

www.DataSheet4U.com	16	BLK	Power supply for BACKLIGHT(0V)
---------------------	----	-----	--------------------------------

6. POWER SUPPLY BLOCK DIAGRAM

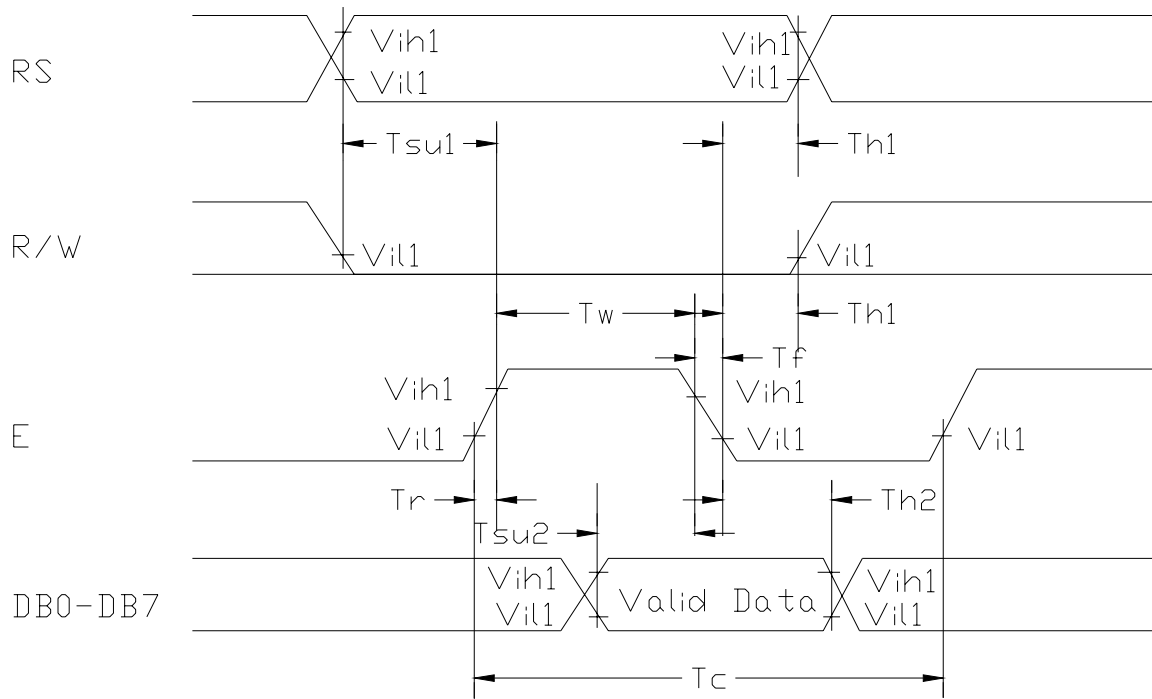


7. AC characteristics (VDD=5V±10%, VSS=0V Ta=25°C)

(1) Write mode (writing data from Micom to ST7066)

Characteristic	Symbol	Min.	Typ.	Max.	Unit	Test pin
E cycle time	t_c	500	--	--	ns	E
E rise time	t_r	--	--	25	ns	E
E fall time	t_f	--	--	25	ns	E
E pulse width (High,Low)	t_w	220	--	--	ns	E

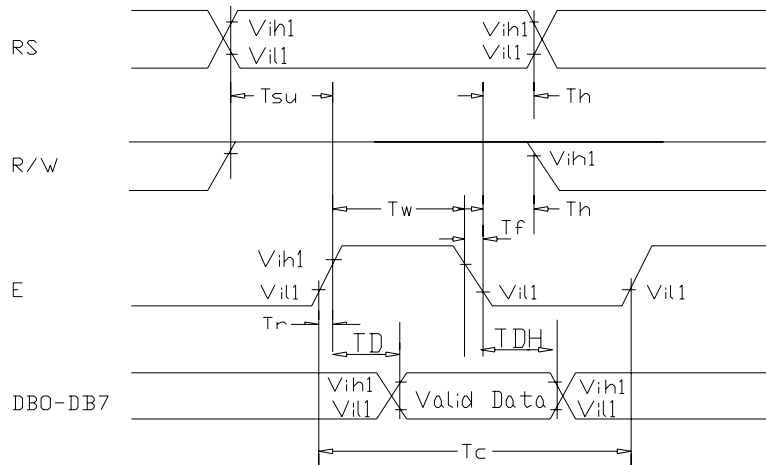
R/W and RS set-up time	t_{su1}	40	--	--	ns	R/W,RS
R/w and RS hold time	t_{h1}	10	--	--	ns	R/W,RS
Data set-up time	t_{su2}	60	--	--	ns	DB0~DB7
Data hold time	t_{h2}	10	--	--	ns	DB0~DB7



(2)Read mode(Reading data from ST7066 to Micom)

Characteristic	Symbol	Min.	Typ.	Max.	Unit	Test pin
E cycle time	t_c	500	--	--	ns	E
E rise time	t_r	--	--	25	ns	E
E fall time	t_f	--	--	25	ns	E
E pulse width (High,Low)	t_w	220	--	--	ns	E
R/W and RS set-up time	t_{su1}	40	--	--	ns	R/W,RS
R/w and RS hold time	t_{h1}	10	--	--	ns	R/W,RS
Data set-up time	t_{su2}	--	--	120	ns	DB0~DB7

www. Data hold time	t_{h2}	20	--	--	ns	DB0~DB7
---------------------	----------	----	----	----	----	---------



8. CONTROL and DISPLAY COMMAND

Command	RS	R/W	DB7	DB6	DB5	DB4	DB3	DB2	DB1	DB0	Remark
Display Clear	L	L	L	L	L	L	L	L	L	H	
Return Home	L	L	L	L	L	L	L	L	H	X	cursor move to first digit
Entry Mode Set	L	L	L	L	L	L	L	H	I/D	SH	I/D:set cursor move direction H-Increase L-Decrease SH:Specifies shift of display H-display is shifted L-Display is not shifted

ELECTRONICA HI FI SAC & HiFiKits

Display On/Off	L	L	L	L	L	L	H	D	C	B	D:Display(H-on,L-off) C:Cursor(H-on,L-off) B:Blinking(H-on,L-off)
Shift	L	L	L	L	L	H	S/C	R/L	X	X	SC:(H-Display shift,L-Cursir move) R/L:(H-Right shift,L-Left shift)
Set Function	L	L	L	L	H	DL	N	F	X	X	DL:(H-8 bits interface,L-4 bits interface) N:(H-2 line display,L-1 line display) F:(H-5 x 10 dots,L-5 x 7 dots)
Set CG RAM Address	L	L	L	H	CG RAM address (corresponds to address)					CG RAM Data is sent and received after this setting	
Set DD RAM Address	L	L	H	DD RAM address					DD RAM Data is sent and received after this setting		
Read Busy Flag & Address	L	H	BF	Address Counter used for Both DD & CG RAM address					BF:(H-Busy ,L-Ready) --Reads BF indication internal operating is being performed --reads address counter contents		
Write Data	H	L	Write Data					Write data into DD or CG RAM			
Read Data	H	H	Read Data					Read data from DD or CGRAM			

