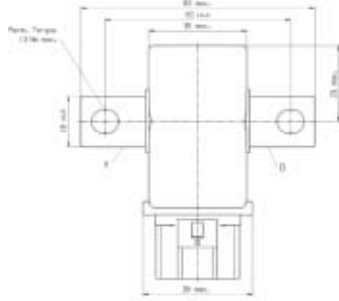


Battery Disconnect Switch 190A 1 form X

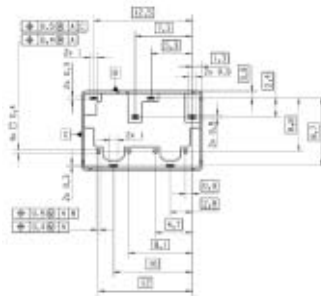


A magnetically latching power relay capable of carrying 190A at 85°C. A single short impulse to the set coil closes the relay contacts and a pulse to the reset coil opens the contacts. Designed primarily to break supply from vehicle battery in event of emergency. Typical applications are to disconnect starter motor from battery during accident, dual battery split charge applications, hydraulic pump control. IP67 sealed. Connection via amp 4 way sensor connector.

Contact arrangement	One from X, B to A load current direction
Contact material	Silver based
Continuous current	190A at 12V dc, polarity dependent wiring
Limiting current	1000A for 1s, 1500A for 0.2s
Operate / release time	15 ms min, 100 ms max pulse duration
Nominal coil power	Must operate current 1.3A at 25°C
Coil resistance.ohm	5 (12V coil)
Mechanical life	500,000
Dielectric strength	500V rms
Temperature	-40°C to +120°C
Approvals	
L = 60, W = 35, H = 35	

Stock No.	Manf Ref'	Type	Unit Price		
			1-24	25-99	100+
4954743	V23130-C2021-A4**	1 FORMX-12VDC	CONSULT		
4954745	V23130-C2021-A4**	1 FORMX-24VDC	CONSULT		

Double Nano Relay 20A, 2 x SPCO



The double nano relay is a twin relay featuring 2 independant coils and 2 single pole changeover contacts in the same package. This is currently the smallest relay in its class able to switch 20A. Immersion cleanable.

Contact arrangement	2 x single pole changeover
Contact material	Silver based
Continuous current	20A N/O, 15A N/C twice
Contact load min	1A at 5V dc
Operate / release time	3 / 1.5 ms
Nominal coil power	0.72W individual
Coil resistance.ohm	200 (12V dc)
Mechanical life	5 million
Dielectric strength	500V rms
Temperature	-40°C to +125°C
Approvals	
L = 15.4, W = 14, H = 10.2	

Stock No.	Manf Ref'	Type	Unit Price		
			1-24	25-99	100+
TBA	V23138-C2001-A3032	X SPCO-12VDC	3.00	2.70	2.55

