

# C&K YL Series 4 & 6 Tumbler Camlocks

## Features/Benefits

- **Cost-effective security**

## Typical Applications

- **Office furniture**
- **Copy machines**



## Specifications

INDEXING: 90°: 2 positions

**NOTE:** For the latest information regarding RoHS compliance, please go to: [www.ittcannon.com/rohs](http://www.ittcannon.com/rohs).

**NOTE:** Specifications and materials listed above are for camlocks with standard options. For information on specific and custom camlocks, consult Customer Service Center.

## Materials

**LOCK:** Zinc alloy with stainless steel facing. (4 tumbler single bitted locks and 6 tumbler tubular lock).

**KEYS:** Two nickel plated brass keys with code number. (4 tumbler).

Two die cast chrome plated zinc alloy keys, std. (6 tumbler).

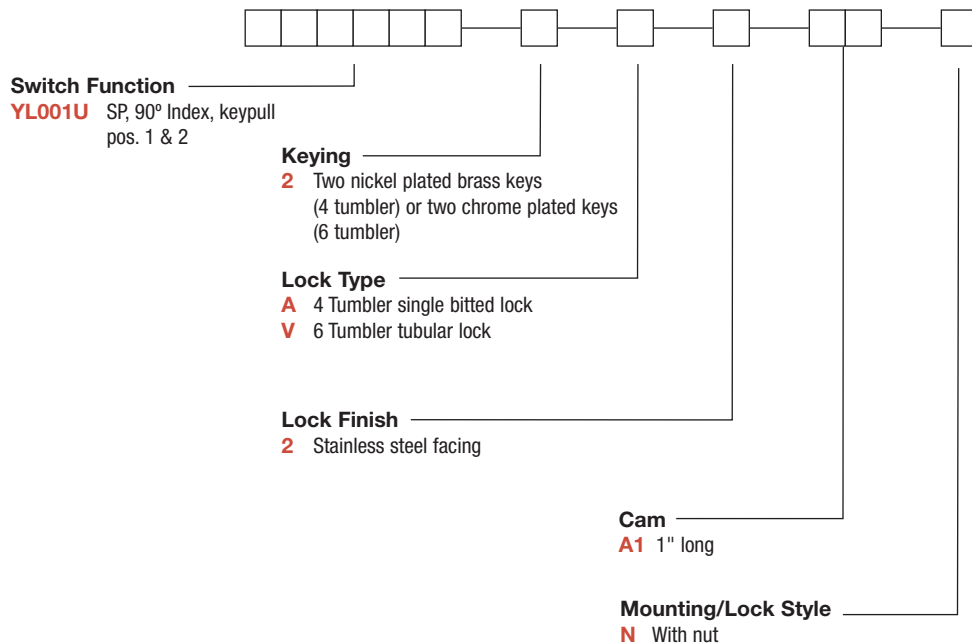
**CAM:** Steel, nickel or bright zinc plated.

**MOUNTING NUT:** Zinc alloy or steel, nickel or bright zinc plated.

**MOUNTING CLIP:** Steel, nickel or bright zinc plated.

## Build-A-Switch

To order, simply select desired option from each category and place in the appropriate box. Available options are shown and described on pages M-50 and M-51. For additional options not shown in catalog, consult Customer Service Center.



# C&K YL Series 4 & 6 Tumbler Camlocks

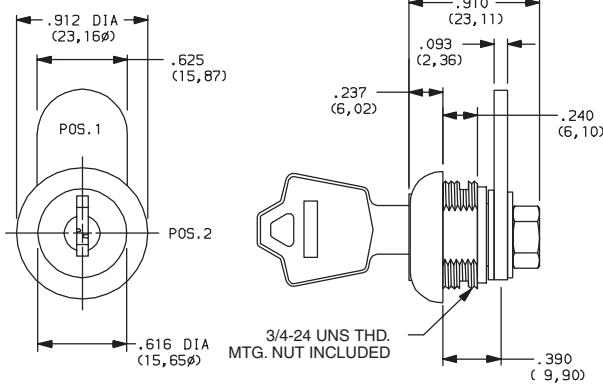
## LOCK FUNCTION

MODEL NO.	KEY PULL POSITIONS	LOCK CONFIGURATION	INDEXING
<b>YL001U</b>	Positions 1 & 2		90°

### LEGEND

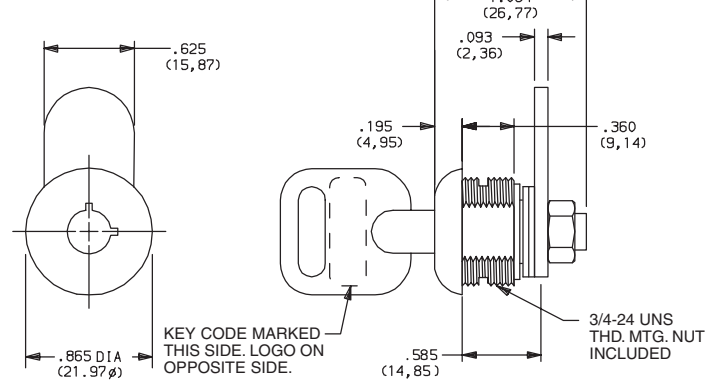
- = Detent Position ( 90° )
- ⊙ = Key pull possible in these positions.
- ⦿ = Stop Positions

### 4 Tumbler



Part number shown: YL00132A2A1N

### 6 Tumbler



Part number shown: YL00132V2A1N

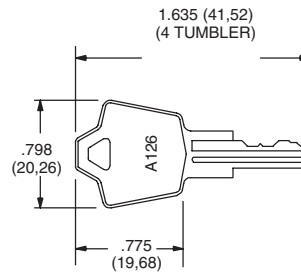
## KEYING

OPTION CODE	KEY OPTIONS	CODE NO. ON KEY	CODE NO. ON LOCK
<b>2</b>	2 NICKEL PLATED BRASS KEYS (4 TUMBLER) OR TWO DIE-CAST CHROME PLATED ZINC ALLOY KEYS (6 TUMBLER).	YES	NO

**NOTE:** All orders keyed alike, standard. For more than one key code, master keying replacement keys, or other special features, consult Customer Service Center.

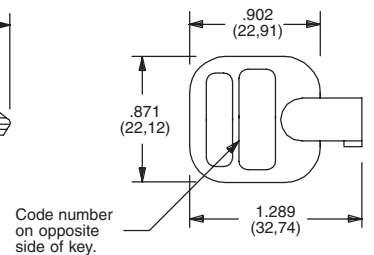
Key head shape subject to change.

### NICKEL PLATED BRASS KEY



Key part number: 115140126

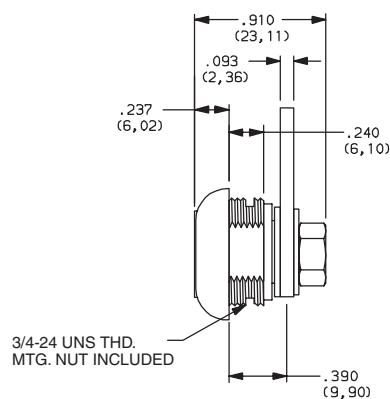
### CHROME PLATED ZINC ALLOY KEY



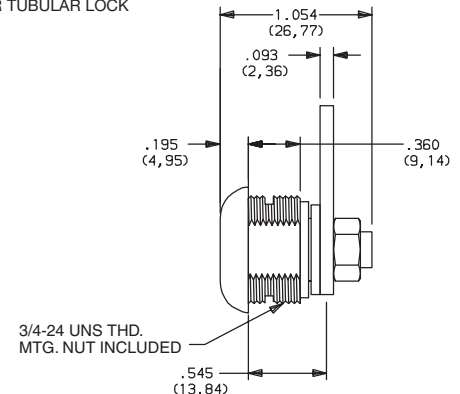
Key part number: 363C1AAAA

## LOCK TYPE

### A 4 TUMBLER SINGLE BITTED LOCK



### V 6 TUMBLER TUBULAR LOCK



Dimensions are shown: Inch (mm)  
Specifications and dimensions subject to change



M

Switchlock



# C&K YL Series 4 & 6 Tumbler Camlocks

## LOCK FINISH

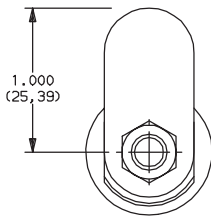
**2** STAINLESS STEEL FACING



Available with  
V lock type only.

## CAM

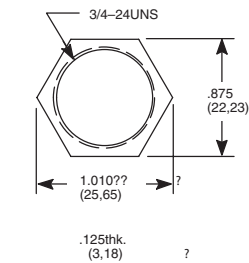
**A1** 1"



**NOTE:** Other cam lengths and styles available, consult Customer Service Center.

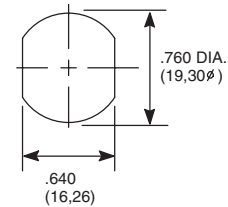
## MOUNTING/LOCK STYLE

**N** WITH NUT



Nut part number: 175050700

PANEL MOUNTING



OPTION CODE	MOUNTING STYLE	PANEL THICKNESS
N	WITH NUT	.195 (4,95) max.

## AVAILABLE HARDWARE

Key Code: A126  
4 TUMBLER  
**PART NO. (ONE KEY)**  
**115140126**  
**Material:** Brass  
Finish: Nickel plate



Key Code: AAAA  
**PART NO. (ONE KEY)**  
**363C1AAAA**  
**Material:** Zinc alloy  
Finish: Chrome plate



Dimensions are shown: Inch (mm)  
Specifications and dimensions subject to change

SWITCHLOCK