

PLEASE CHECK WWW.MOLEX.COM FOR LATEST PART INFORMATION

Part Number: [0950092667](#)
Status: **Active**
Overview: [modular_plugs_jacks](#)
Description: Modular Jack, Right Angle, 6/6

Documents:

[3D Model](#) [RoHS Certificate of Compliance \(PDF\)](#)
[Drawing \(PDF\)](#)

Agency Certification

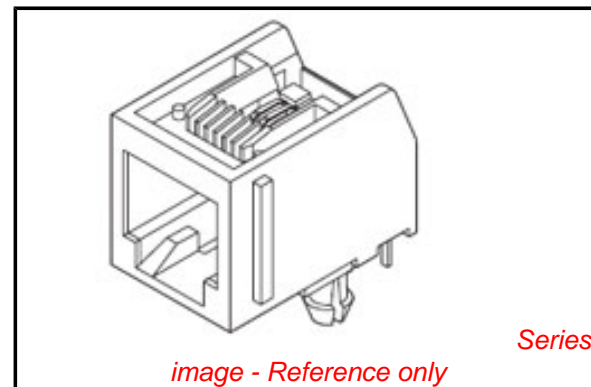
CSA LR19980
 UL E107635

General

Product Family Modular Jacks/Plugs
 Series [95009](#)
 Comments Flangeless
 Component Type PCB Jack
 Magnetic No
 Overview [modular_plugs_jacks](#)
 Performance Category 3
 Power over Ethernet (PoE) N/A
 Product Name RJ11

Physical

Color - Resin Black
 Durability (mating cycles max) 500
 Flammability 94V-0
 Inverted / Top Latch No
 Lightpipes/LEDs None
 Material - Metal Brass
 Material - Plating Mating Gold
 Material - Plating Termination Tin
 Material - Resin High Temperature Thermoplastic
 Orientation Right Angle (Side Entry)
 PCB Locator Yes
 PCB Retention Yes
 PCB Thickness Recommended (in) 0.062 In
 PCB Thickness Recommended (mm) 1.57 mm
 Packaging Type Tray
 Panel Mount With Flange
 Pitch - Mating Interface (in) 0.040 In
 Pitch - Mating Interface (mm) 1.02 mm
 Pitch - Term. Interface (in) 0.050 In
 Pitch - Term. Interface (mm) 1.27 mm
 Plating min: Mating (µin) 50.8
 Plating min: Mating (µm) 1.27
 Plating min: Termination (µin) 76
 Plating min: Termination (µm) 1.9
 Ports 1
 Positions / Loaded Contacts 6/6
 Surface Mount Compatible (SMC) No
 Temperature Range - Operating -40°C to +80°C
 Termination Interface: Style Through Hole
 Waterproof / Dustproof No
 Wire/Cable Type N/A



EU RoHS

**ELV and RoHS
 Compliant**
**REACH SVHC
 Contains SVHC: No**
**Halogen-Free
 Status**

China RoHS



**Need more information on product
 environmental compliance?**

Email productcompliance@molex.com
 For a multiple part number RoHS Certificate of
 Compliance, [click here](#)

Please visit the [Contact Us](#) section for any
 non-product compliance questions.

Search Parts in this Series

[95009Series](#)

Mates With

FCC 68 Plugs

Electrical

Current - Maximum per Contact	1.5A
Shielded	No
Voltage - Maximum	125V DC

Solder Process Data

Duration at Max. Process Temperature (seconds)	3
Lead-free Process Capability	Wave Capable (TH only)
Max. Cycles at Max. Process Temperature	1
Process Temperature max. C	260

Material Info**Reference - Drawing Numbers**

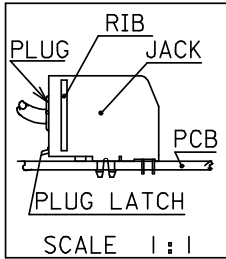
Packaging Specification	PK-95029
Sales Drawing	SDA-95009-F

This document was generated on 06/07/2010

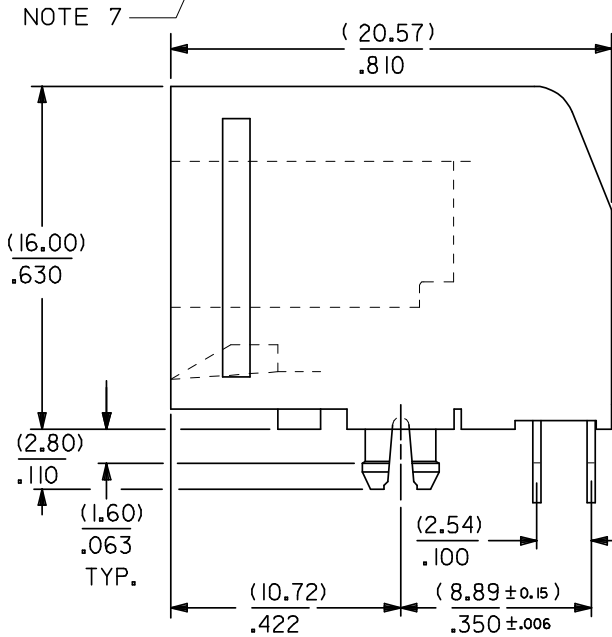
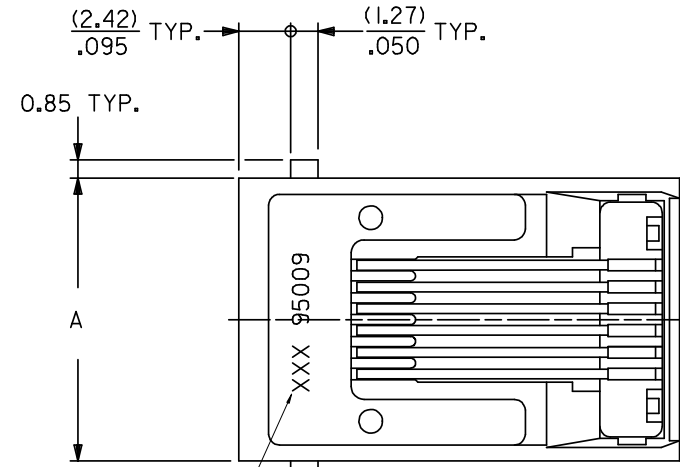
PLEASE CHECK WWW.MOLEX.COM FOR LATEST PART INFORMATION

NOTES :

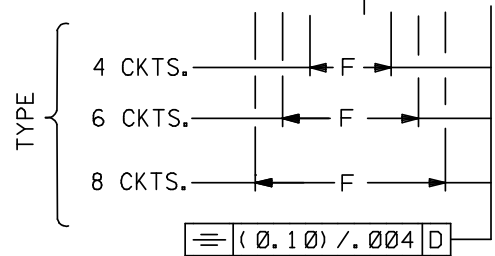
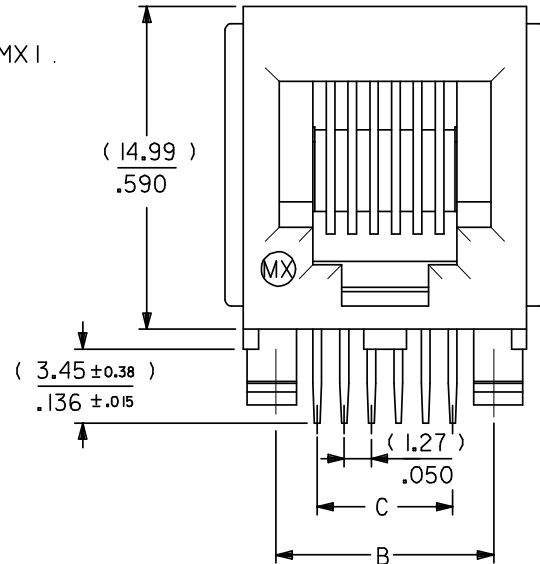
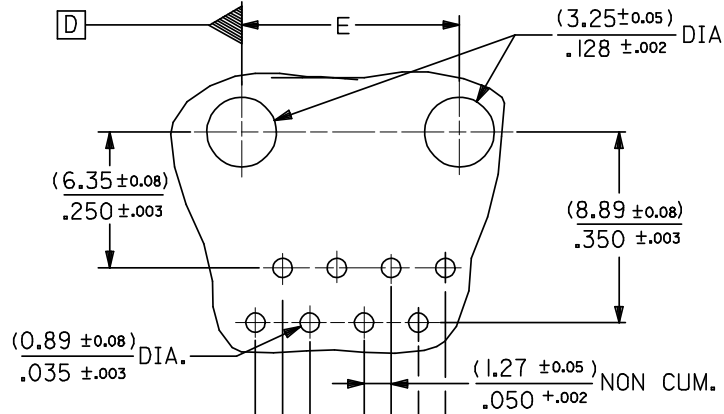
- 1- MATERIAL : POLYESTER FIBER GLASS FILED 94-V-0
COLOR BLACK .
- TERMINAL : TIN BRASS.
- PLATINGS : FINISH 2
POST PLATE (0.00127-0.00152)/.000050-.000060
GOLD IN CONTACT AREA .
(0.00190)/.000075 MIN. PURE TIN IN TAIL AREA BOTH
OVER (0.00127)/.000050 MIN. NICKEL OVERALL .



- 2- PC BOARD THICKNESS : (1.57) / .062 .
- 3- JACK FOR MATING WITH F.C.C. 68 PLUGS 90075 MOLEX SERIES .
- 4- PRODUCT SPECIFICATION PS-95009-001.
- 5- APPLICATION SPECIFICATION AS-95001.
- 6- PACKAGING SPECIFICATION PK-95029.
- 7- MANUFACTURING ID CAN BE MXF, MG OR MXI .



MOUNTING HOLE PATTERNS
(SEE FROM COMPONENT SIDE)

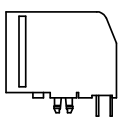


REV	DESCRIPTION
II	APPR: J WALLACE 2008/01/16
	CHKD: 2008/01/16
	DRWN: B BYRNES 2008/01/14
	EC NO: E2008-0348
	UPDATED NOTES.

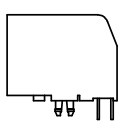
QUALITY SYMBOLS	▽=0
	∇=0
GENERAL TOLERANCES (UNLESS SPECIFIED)	4 PLACES ± --- ± ---
	3 PLACES ± --- ± .010
	2 PLACES ± 0.25 ± .014
	1 PLACE ± 0.35 ± ---
	ANGULAR ± 1/2°
DRAFT WHERE APPLICABLE MUST REMAIN WITHIN DIMENSIONS	

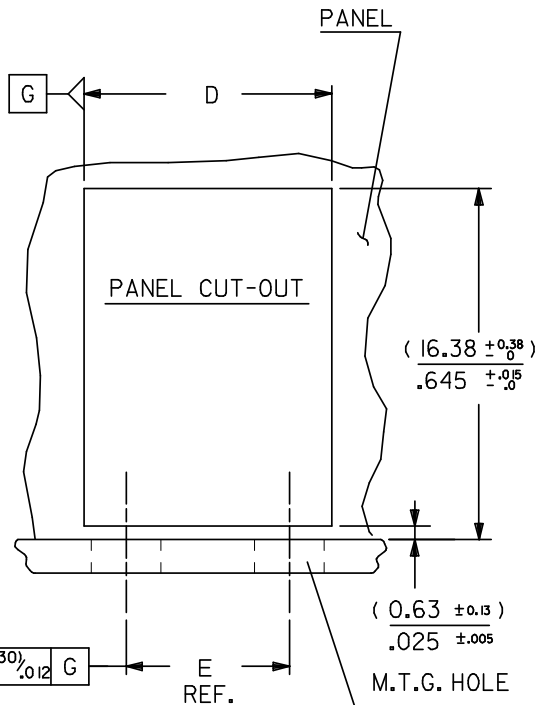
DIMENSION STYLE		SCALE	DESIGN UNITS	THIRD ANGLE PROJECTION
MM/IN		4:1	METRIC	☉
DRAWN BY	DATE	TITLE		
DP	86/10/23	FLUSH MOUNT RIGHT ANGLE MODULAR JACK ASSEMBLY THROUGH HOLE VERSION		
CHECKED BY	DATE	MOLEX INCORPORATED		
APPROVED BY	DATE	MATERIAL NO. SEE CHART SHT 2		
MATERIAL NO.		DOCUMENT NO.	SHEET NO.	
SEE CHART SHT 2		SDA-95009-F	1 OF 2	
SIZE	THIS DRAWING CONTAINS INFORMATION THAT IS PROPRIETARY TO MOLEX INCORPORATED AND SHOULD NOT BE USED WITHOUT WRITTEN PERMISSION			
A3				

PART NUMBERS FOR JACK I RIB .

	TYPE		POS. 4	TOOLED	POS. 6	TOOLED	POS. 6	TOOLED	POS. 8	TOOLED
	PLATING		4 CKTS.	TOOLED	4 CKTS.	TOOLED	6 CKTS.	TOOLED	8 CKTS.	TOOLED
	FINISH 2	MOLEX STANDARD	95009-2441	X	95009-2641	X	95009-2661	X	95009-2881	X

PART NUMBERS FOR JACK NO RIB.

	TYPE		POS. 4	TOOLED	POS. 6	TOOLED	POS. 6	TOOLED	POS. 8	TOOLED
	PLATING		4 CKTS.	TOOLED	4 CKTS.	TOOLED	6 CKTS.	TOOLED	8 CKTS.	TOOLED
	FINISH 2	MOLEX STANDARD	95009-2447	X	95009-2647	X	95009-2667	X	95009-2887	X



DIM. \ TYPE	POS. 4	POS. 6		POS. 8
	4 CKTS.	4 CKTS.	6 CKTS.	8 CKTS.
A	(11.18) / .440	(13.21) / .520	(13.21) / .520	(15.24) / .600
B	(7.62) / .300	(10.16) / .400	(10.16) / .400	(11.43) / .450
C	(3.81) / .150	(3.81) / .150	(6.35) / .250	(8.89) / .350
D	(± 0.38) / ± 0.15	(11.56) / .455	(13.59) / .535	(13.59) / .535
E	(± 0.10) / ± 0.004	(7.62) / .300	(10.16) / .400	(10.16) / .400
F	(± 0.10) / ± 0.004	(3.81) / .150	(3.81) / .150	(6.35) / .250

ADDED PART NO'S EC NO: E2008-0348 DRWN: DBYRNES 2008/01/14 CHKD: 2008/01/16 APPR: J WALLACE 2008/01/16	QUALITY SYMBOLS	GENERAL TOLERANCES (UNLESS SPECIFIED)	DIMENSION STYLE	SCALE	DESIGN UNITS	THIRD ANGLE PROJECTION
	$\nabla = 0$ $\sphericalangle = 0$	mm	MM/IN	4:1	METRIC	FLUSH MOUNT RIGHT ANGLE MODULAR JACK ASSEMBLY THROUGH HOLE VERSION MOLEX INCORPORATED
		INCH	MM/IN	DRAWN BY	DATE	
		4 PLACES ± --- ± ---	DP	87/04/22	TITLE	
		3 PLACES ± --- ± .010	CHECKED BY	DATE		
2 PLACES ± 0.25 ± .014	APPROVED BY	DATE				
1 PLACE ± 0.35 ± ---	ANGULAR ± 1/2°		MATERIAL NO.	DOCUMENT NO.	SHEET NO.	
	DRAFT WHERE APPLICABLE MUST REMAIN WITHIN DIMENSIONS		SEE CHART	SDA-95009-F	2 OF 2	
	THIS DRAWING CONTAINS INFORMATION THAT IS PROPRIETARY TO MOLEX INCORPORATED AND SHOULD NOT BE USED WITHOUT WRITTEN PERMISSION					