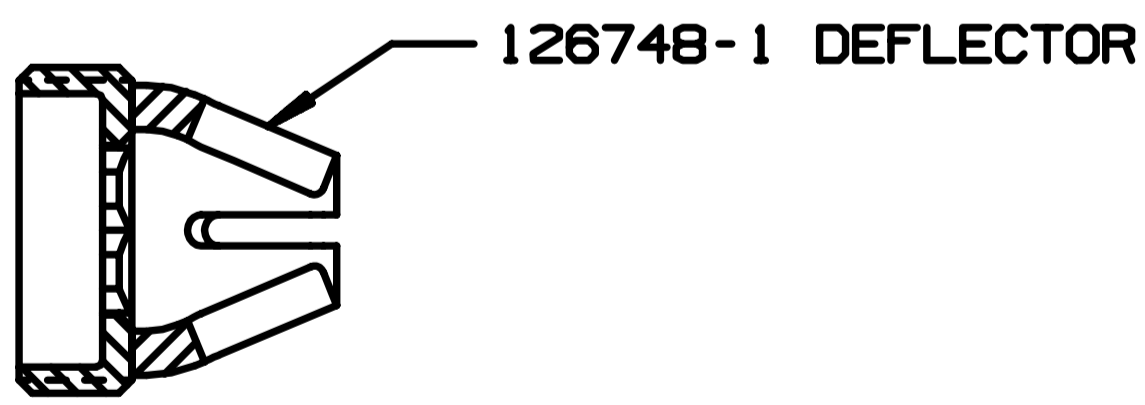
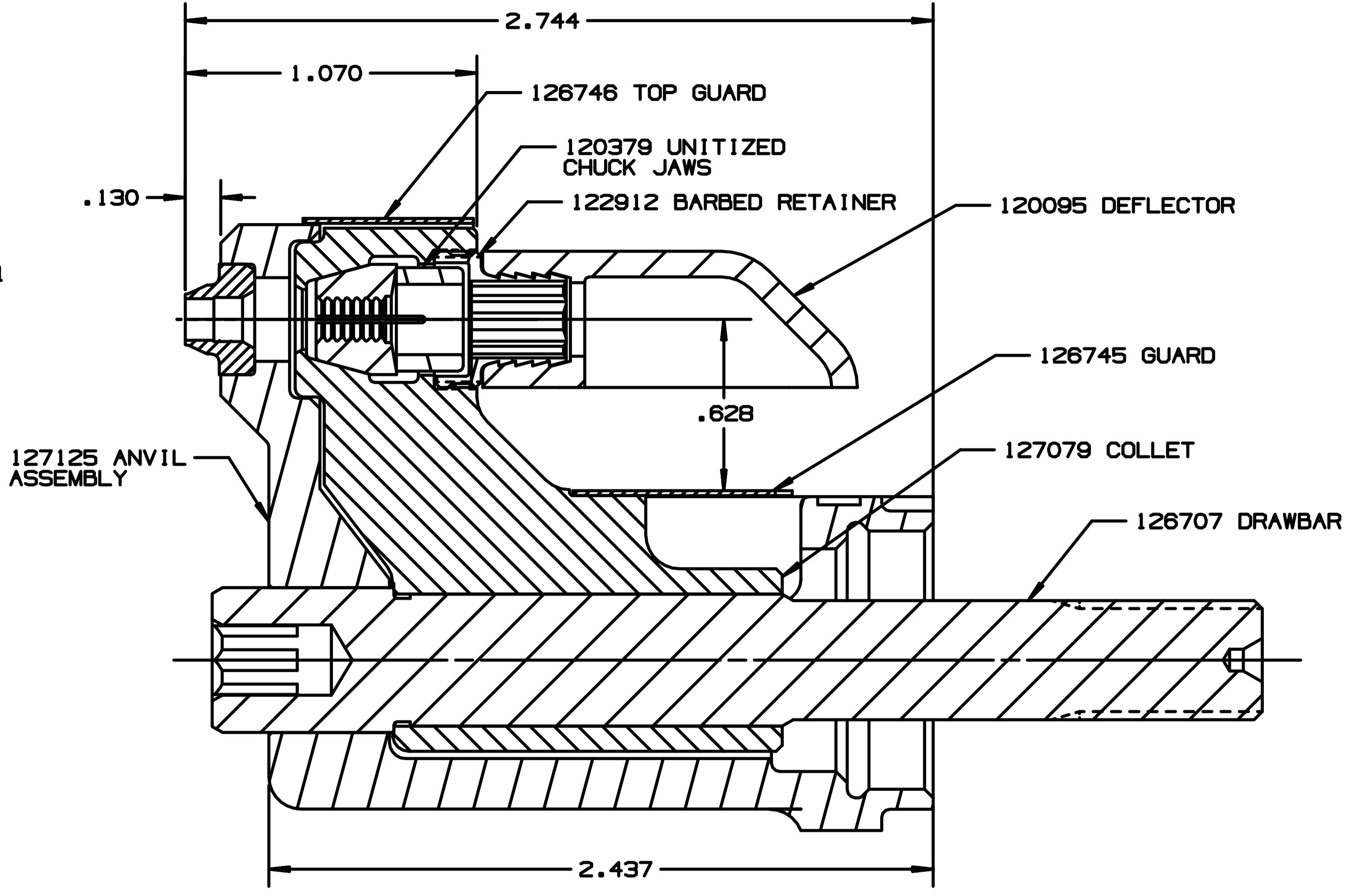
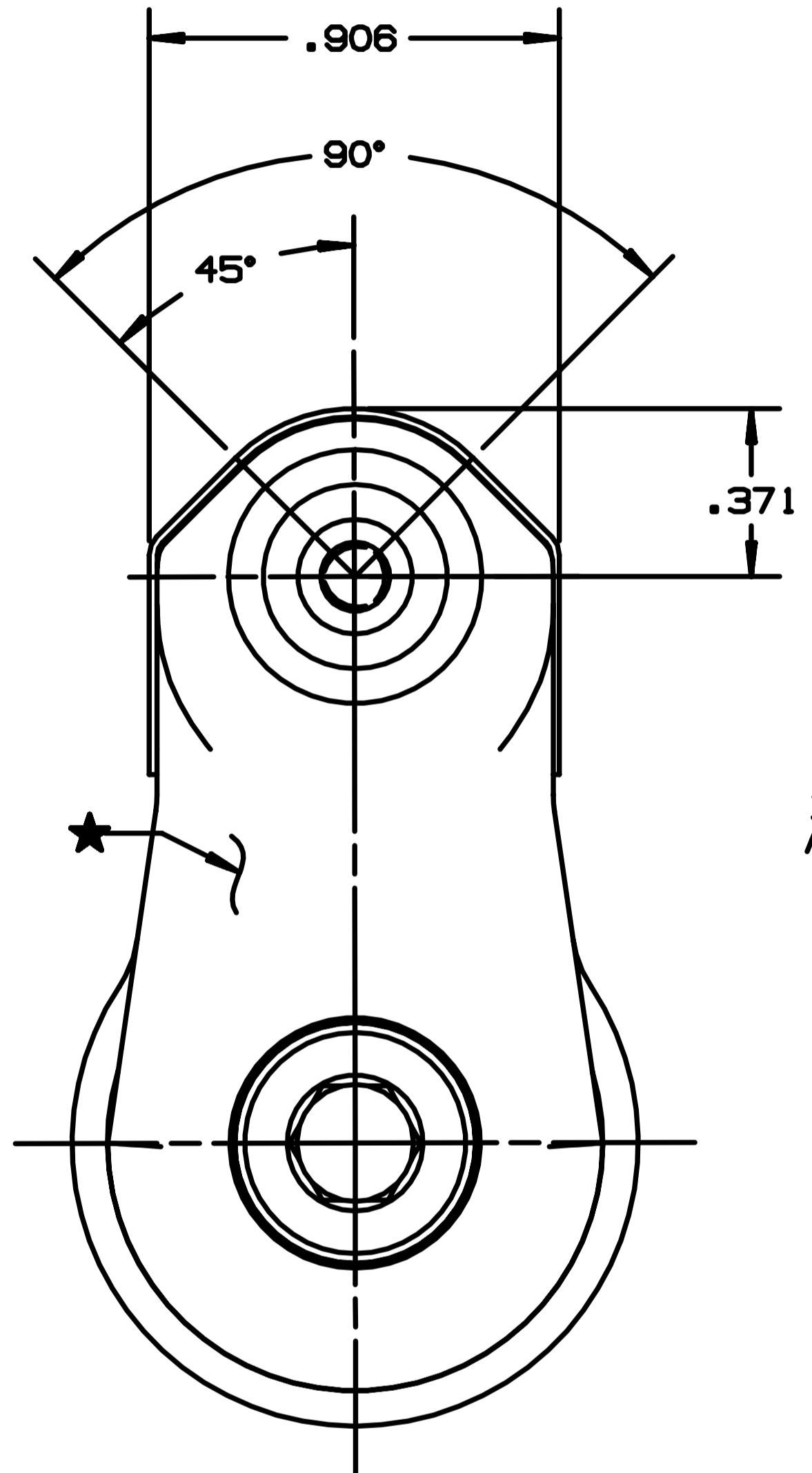


REV	DESCRIPTION	DATE
A	RELEASE	6/16/03
B	ADDED NOTE 6, 122912 BARBED RETAINER AND 120095 DEFLECTOR	6/3/04
C	MODELED IN UG	12/9/04



NOTES:

- 1 MAXIMUM RECOMMENDED STROKE: .500
- 2 FOR USE WITH THE 225/245 TOOL, USE ATTACHEMENT P/N 119400-1 AND STROKE LIMITER 118362
- 3 FOR USE WITH 2500 TOOL, USE ATTACHEMENT P/N 119400-1 AND STROKE LIMITER KIT 119888
- 4 FOR OTHER TOOLS AND/OR OTER TOOL AND STROK COMBINATIONS, CONSULT ENGINEERING DEPARTMENT
- 5 SHIP WITH STOP 126747
- 6 SHIP WITH DEFLECTOR 126748-1

IDENTIFICATION PER SPEC 42-311: ★ ETCH		
HUCK INTERNATIONAL, INC., I.S.D. 1 CORPORATE DR., P.O. BOX 2270 KINGSTON, NEW YORK 12401		
NOSE ASSEMBLY -06 BLIND BOLT		
DES: MVM	DATE: 6/16/03	SCALE: 2:1
FOC. FAC.	B	99-3713