



SMT–Power–Inductors

B82473

DATA SHEET

SMD

Rated inductance 10 μ H .. 470 μ H

Construction

- Ferrite core
- Winding: enamel copper wire
- Winding soldered to terminals
- Plastic terminal carrier

Features

- High rated current
- Low DC resistance
- Suitable for reflow soldering (IR and vapor phase)

Applications

- Filtering of supply voltages
- Coupling / decoupling
- DC/DC converters
- Automotive electronics

Terminals

- Tinned

Marking

Marking on component:
Manufacturer, L value (in μ H)

Minimum marking on reel:
Manufacturer, part number, ordering code,
L value and tolerance
quantity, date of packing

Delivery mode

16–mm blister tape , reel packing
packaging quantity 1000pcs/reel



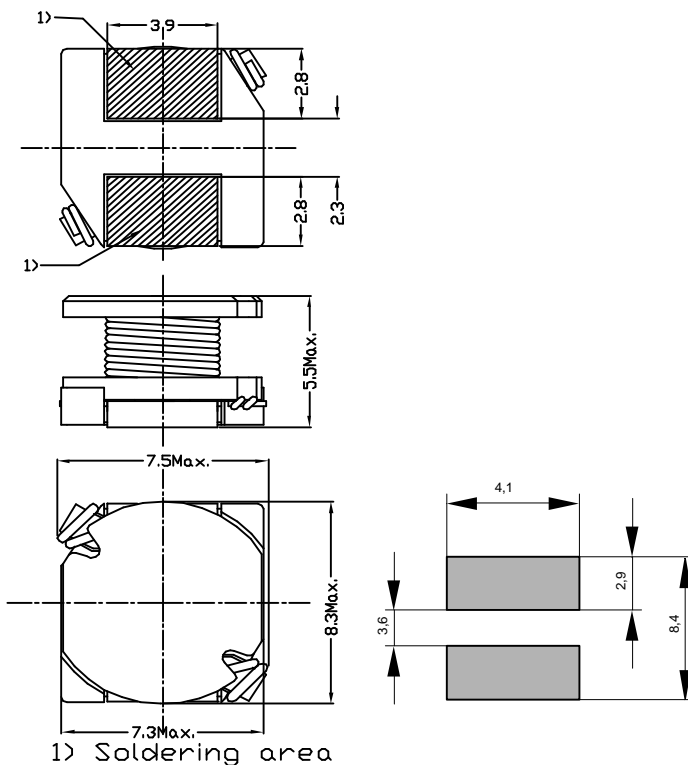
SMT-Power-Inductors

B82473

DATA SHEET

SMD**General technical data**

| | |
|------------------------------|--|
| Rated inductance L_R | Measured with HP 4284A , measuring voltage 100 mV |
| Rated current I_R | Maximum permissible DC with temperature increase of ≤ 40 K at ambient temperature of 85 °C |
| Saturation current I_{sat} | Maximum permissible DC with inductance decrease $\Delta L/L_0 \approx 10\%$ |
| Climatic category | In accordance with IEC 60068-1 55/125/56 (-55 °C/ $+125$ °C/ 56 days damp heat test) |
| Solderability | 5s, 235 °C, wetting $> 90\%$ |
| DC resistance R_{max} | Measured at 20 °C ambient temperature |
| Weight | Approx. 1,5g |

Dimensional drawing and layout recommendation



Characteristics and ordering codes

| L_R μH | f_L MHz | Tolerance | I_R A | I_{Sat} A | R_{max} Ω | Ordering code |
|------------------------|--------------|-----------|------------|-----------------------|------------------------------|----------------|
| 10 | 0,1 | 10 % | 2,30 | 2,50 | 0,07 | B82473-A1103-K |
| 15 | 0,1 | 10 % | 1,80 | 2,00 | 0,09 | B82473-A1153-K |
| 22 | 0,1 | 10 % | 1,50 | 1,60 | 0,11 | B82473-A1223-K |
| 33 | 0,1 | 10 % | 1,20 | 1,30 | 0,13 | B82473-A1333-K |
| 47 | 0,1 | 10 % | 1,10 | 1,20 | 0,18 | B82473-A1473-K |
| 68 | 0,1 | 10 % | 0,85 | 0,90 | 0,28 | B82473-A1683-K |
| 100 | 0,1 | 10 % | 0,72 | 0,80 | 0,43 | B82473-A1104-K |
| 150 | 0,1 | 10 % | 0,58 | 0,65 | 0,64 | B82473-A1154-K |
| 220 | 0,1 | 10 % | 0,49 | 0,55 | 0,96 | B82473-A1224-K |
| 330 | 0,1 | 10 % | 0,40 | 0,45 | 1,26 | B82473-A1334-K |
| 470 | 0,1 | 10 % | 0,34 | 0,40 | 1,96 | B82473-A1474-K |