

MB86A15PMT-G-BND

December 2002

QPSK Silicon Tuner

Edition 1.30

FME/MM/PP/1202

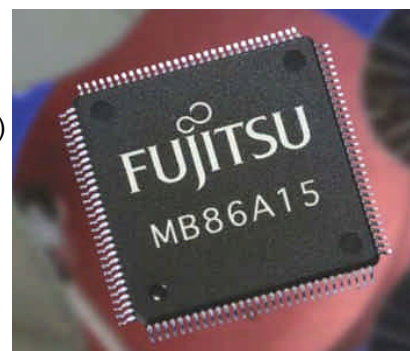
OVERVIEW

Fujitsu's **MB86A15PMT-G-BND** is a tuner and QPSK demodulator for digital satellite broadcasting in a single 120 pin package. All functions necessary for receiving DVB-S signals (AGC, direct conversion, PLL, QPSK demodulator and FEC) are implemented.

Even inductors and vari-cap diodes for the high frequency oscillation circuit are included. This means that no analogue fine tuning is necessary in mass production.

FEATURES

- DVB-S (SCPC) and DSS compatible
- No external inductors and variable capacitance diodes required
- Supply voltages : +5V, +3.3V and +2.5V, (30V for tuning is not required)
- Input frequency range : 950MHz to 2150MHz
- Input signal level per channel : typ. -75dBm to -10dBm
- Symbol rates: 1Mbaud to 45 Mbaud
- Carrier capture range : ± 5 MHz
- Automatic IQ detection
- Automatic detection of Viterbi code rates (DVB: 1/2, 2/3, 3/4, 5/6, 7/8)
- I²C bus interface
- DiSEqC® 1.x compatible
- Built-in carrier frequency offset monitor (via I²C® bus interface)
- C/N Monitoring function (via I²C® bus interface)
- Total power consumption: less than 1.5W (at 45Mbaud, decreases at lower baud rates)
- Package: 120 pin plastic LQFP (FPT-120P-M21)
- Ambient temperature: 0°C to +70 °C
- Application programming interface software (API) in source code will be provided by Fujitsu.
- Evaluation board including monitor software for PC is available.
This software offers graphical BER display, bargraphs for signal strength/quality and transponder administration including DiSEqC control.



ORDERING INFORMATION

Part No.	Description
MB86A15PMT-G-BND	• Single Chip QPSK Silicon Tuner
MB86A15PMT-G-BND-E1	• Single Chip QPSK Silicon Tuner, E1: Lead(Pb) free package
MB86A15-DK01	• Development Kit for MB86A15PMT-G-BND, including: Main board, I ² C Interface board, Parallel port cable, Cable for power supply, CDROM storing all documentation and software plus PCB data
Contact Information	eMail: multimedia_info@fme.fujitsu.com

I²C is a registered trademark of Philips corporation

Windows is a registered trademark of Microsoft corporation

DiSEqC is a registered trademark of Eutelsat

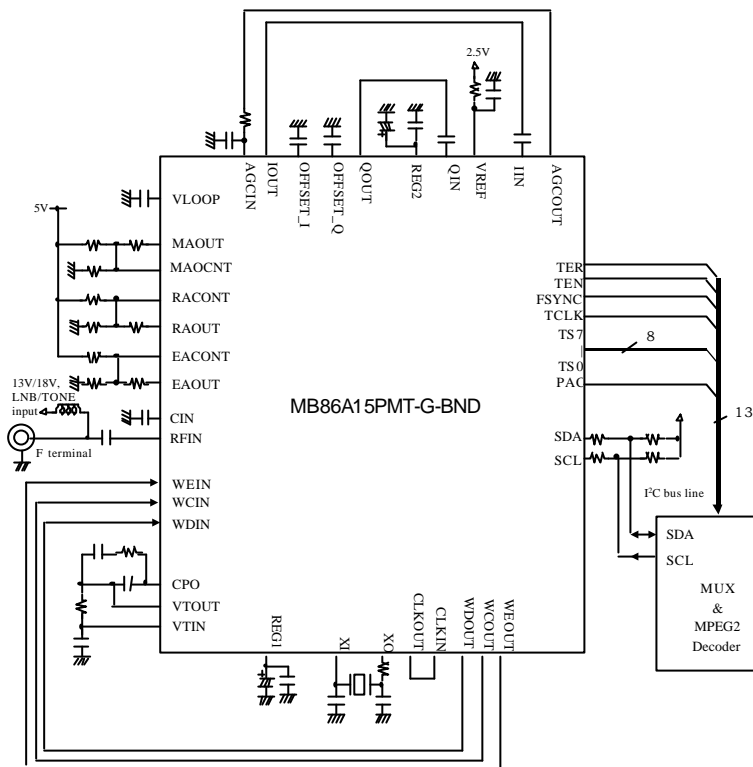


Figure 1: Basic Connection Example

Worldwide Headquarters

Japan

Tel: +81 3 5322 3353
Fax: +81 3 5322 3386

Fujitsu Limited
Marketing Division
Electronic Devices
Shinjuku Dai-Ichi Seimei Bldg.7-1
Nishishinjuku 2-chome, Shinjuku-ku
Tokyo 163-0721
Japan

<http://edevice.fujitsu.com/>

USA

Tel: +1 408 922 9000
Fax: +1 408 922 9179

**Fujitsu Microelectronics
America, Inc.**
3545 North First Street
San Jose, CA 95134-1804
USA

Tel: +1 800 866 8608
Fax: +1 408 922 9179

<http://www.fma.fujitsu.com/>

Asia

Tel: +65 6281 0770
Fax: +65 6281 0220

**Fujitsu Microelectronics Asia
PTE Limited**
#05-08, 151 Lorong Chuan
New Tech Park, Singapore 556741

Tel: +82 2 3484 7100
Fax: +82 2 3484 7111

Fujitsu Microelectronics Korea Ltd.
1702 Kosmo Tower, 1002 Daechi-Dong
Kangnam-Gu, Seoul 135-280, Korea

<http://www.fmal.fujitsu.com/>
<http://www.fmk.fujitsu.com/>

Europe

Tel: +49 6103 690-0
Fax: +49 6103
690122

**Fujitsu Microelectronics Europe
GmbH**

Am Siebenstein 6-10
D-63303 Dreieich-Buchsschlag
Germany

e-mail

multimedia_info@fme.fujitsu.com

<http://www.fme.fujitsu.com/>