

# Current and Voltage Controls

## Current Transformer, 1-Phase AC

### Type TAD 4, TAD 6



CARLO GAVAZZI



TAD4



TAD6

- Cable/bus-bar type current transformer
- DIN-rail, bus-bar and panel mounting facility
- TAD4: class 0.5, currents from 200 to 800 A
- TAD 6: class 0.5, currents from 400 to 2000 A

### Product Description

Cable/bus-bar type current transformer with DIN-rail/bus-bar and panel mounting facility. Rated primary currents from 100 A to 2000 A.

### Ordering Key

**TAD4 200A 5A**

Model \_\_\_\_\_  
 Primary current \_\_\_\_\_  
 Secondary current \_\_\_\_\_

### Type Selection

#### Model

**TAD4:** Cable diameter:  
max. 32 mm  
Bus-bar size:  
32 x 16 mm  
41 x 11 mm

**TAD6:** Cable diameter:  
max. 52 mm  
Bus-bar size:  
55 x 22 mm  
65 x 20 mm

#### Primary current

Refer to Range Table

### Input Specifications

Operating frequency	40 to 60 Hz
Max. system voltage	0.72 kV
Rated insulation level	3 kV / 1 min. @ 50 Hz
Short-time current rating $I_{th}$ $I_{dyn}$	Typical 100 $I_n$ / 1 s 2.5 $I_{th}$ The short-time thermal current $I_{th}$ is anyway limited by the cable/bus-bar size
Extended current rating	120%
Security factor (FS)	≤ 5

### Output Specifications

Rated secondary current  
5 A standard  
1 A on request

### General Specifications

Standards	According to IEC 60185
Housing	ABS, self-extinguishing: UL 94 V-0
Mounting	DIN-rail 46277/bus-bar and panel mounting (brackets supplied with the CT)
Standard accessories	Screws + washers for secondary terminals Brackets for panel mounting Screws for cable/bus-bar mounting Sealable terminal block cover
Special features	1 A secondary current Double ratio obtained on the secondary Tropicalization
Cable diameters TAD 4: TAD 6:	max. 32 mm max. 52 mm
Bus-bar size TAD 4:  TAD 6:	32 x 16 mm or 41 x 11 mm 55 x 22 mm or 65 x 20 mm

TAD 4, TAD 6

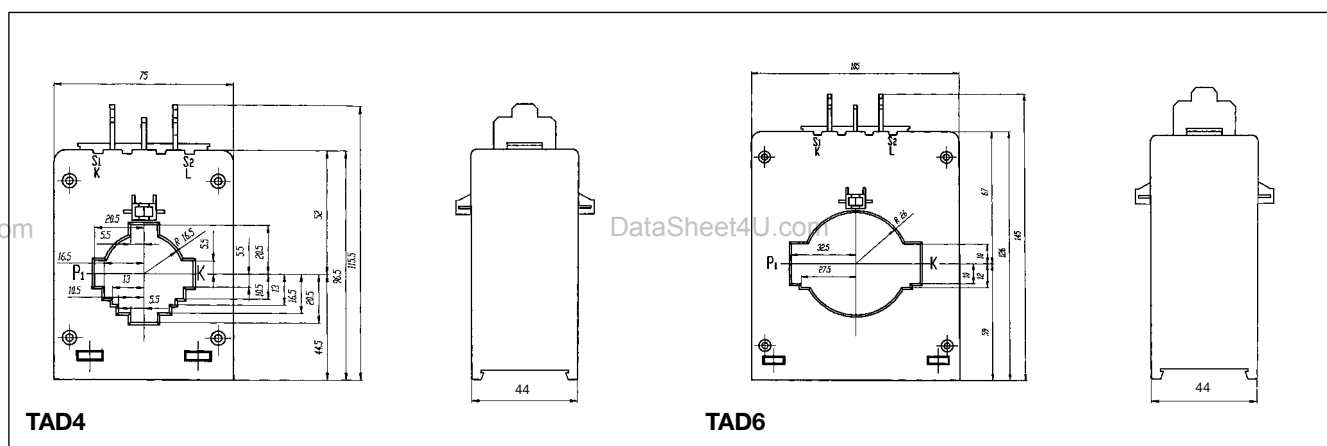

**CARLO GAVAZZI**

## Range Table

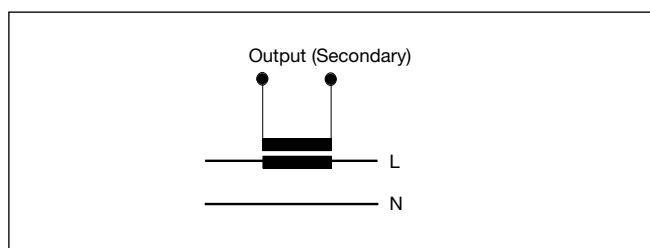
TAD 4:			TAD 6:		
Rated Primary Current	Rated secondary current 1 A/5 A		Rated Primary Current	Rated secondary current 1 A/5 A	
	Class 0.5 <sup>1)</sup> Burden	Class 1 <sup>1)</sup> Burden		Class 0.5 <sup>1)</sup> Burden	Class 1 <sup>1)</sup> Burden
100 A	-	3 VA	400 A	6 VA	12 VA
150 A	-	3 VA	500 A	6 VA	12 VA
200 A	4 VA	-	600 A	10 VA	20 VA
250 A	6 VA	-	800 A	10 VA	20 VA
300 A	6 VA	-	1000 A	20 VA	40 VA
400 A	10 VA	-	1200 A	20 VA	40 VA
500 A	10 VA	-	1500 A	30 VA	60 VA
600 A	10 VA	-	2000 A	30 VA	60 VA
800 A	10 VA	-			

<sup>1)</sup> The accuracy class is depending on the burden output. For the same rated primary current, the higher the burden the lower the class (class down-grade).

## Dimensions



## Wiring Diagram



## Standard Accessories

- Sealable plastic cover for terminal block
- Brackets for panel mounting

