

**PLEASE CHECK WWW.MOLEX.COM FOR LATEST PART INFORMATION**

**Part Number:** [0712515102](#)  
**Status:** **Active**  
**Description:** 1.27mm (.050") Pitch DIMM Socket, Vertical, Multiple Keys, Plastic Peg, 100 Circuits, 5.5V Unbuffered

**Documents:**

[3D Model](#) [Product Specification PS-71243-9999 \(PDF\)](#)  
[Drawing \(PDF\)](#) [RoHS Certificate of Compliance \(PDF\)](#)

**Agency Certification**

CSA LR19980  
 UL E29179

**General**

Product Family Memory Module Sockets  
 Series [71251](#)  
 Comments Function Key Offset Right, Voltage Key Offset Left  
 Component Type Memory Module  
 JEDEC Outline MO-161  
 Product Name DIMM

**Physical**

Circuits (Loaded) 100  
 Color - Resin Black, Natural  
 Durability (mating cycles max) 25  
 Entry Angle Vertical (Top Entry)  
 Flammability 94V-0  
 Function Key Offset Right  
 Keying to Mating Part Yes  
 Material - Metal Phosphor Bronze  
 Material - Plating Mating Gold  
 Material - Plating Termination Tin  
 Material - Resin High Temperature Thermoplastic  
 PCB Retention Yes  
 Packaging Type Tray  
 Pitch - Mating Interface (in) 0.050 In  
 Pitch - Mating Interface (mm) 1.27 mm  
 Plating min: Mating (µin) 2  
 Plating min: Mating (µm) 0.05  
 Plating min: Termination (µin) 150  
 Plating min: Termination (µm) 3.81  
 Temperature Range - Operating -40°C to +85°C  
 Termination Interface: Style Through Hole

**Electrical**

Current - Maximum per Contact 1A  
 Voltage - Maximum 100V  
 Voltage Key Detail Z

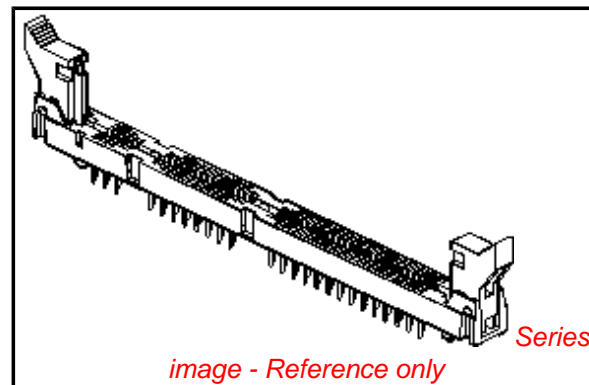
**Solder Process Data**

Lead-free Process Capability Wave Capable (TH only)

**Material Info**

**Reference - Drawing Numbers**

Product Specification PS-71243-9999  
 Sales Drawing SDA-71251-5\*\*\*\*



**EU RoHS**

**ELV and RoHS  
 Compliant**  
**REACH SVHC**  
 Not Reviewed  
**Halogen-Free  
 Status**  
 Not Reviewed

**China RoHS**



**Need more information on product  
 environmental compliance?**

Email [productcompliance@molex.com](mailto:productcompliance@molex.com)  
 For a multiple part number RoHS Certificate of  
 Compliance, [click here](#)

Please visit the [Contact Us](#) section for any  
 non-product compliance questions.

**Search Parts in this Series**

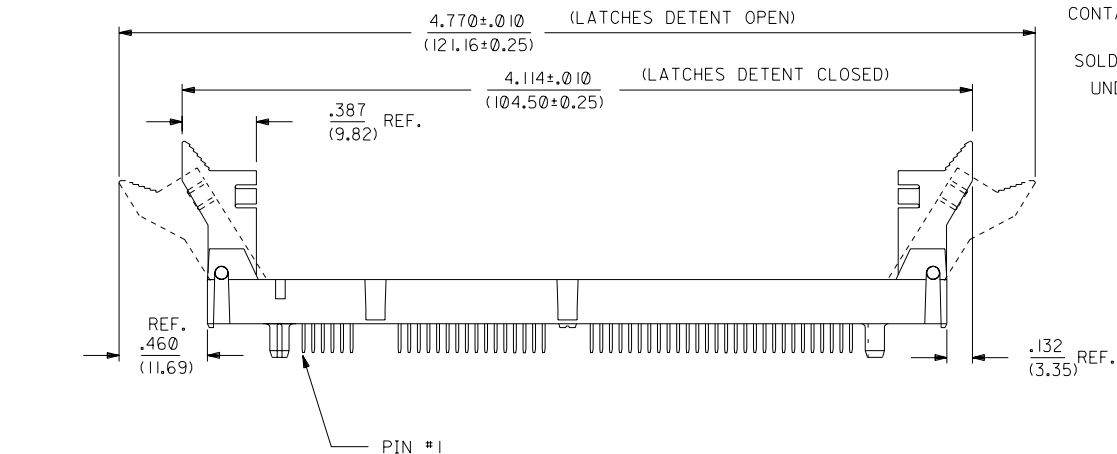
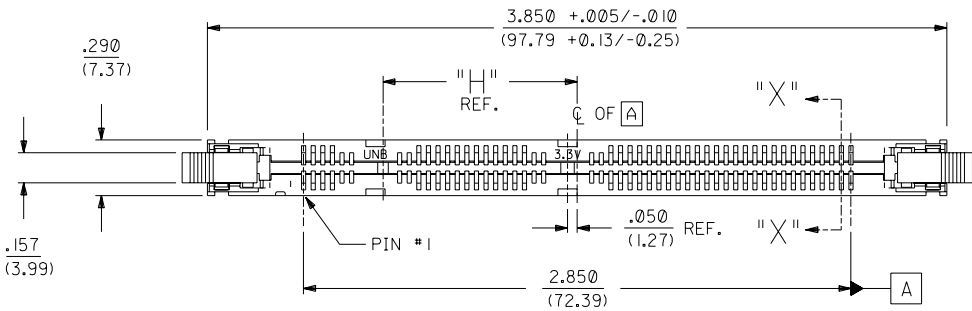
[71251Series](#)

**Mates With**

JEDEC MO-161 modules

This document was generated on 04/13/2010

**PLEASE CHECK [WWW.MOLEX.COM](http://WWW.MOLEX.COM) FOR LATEST PART INFORMATION**



71251-5101 SHOWN

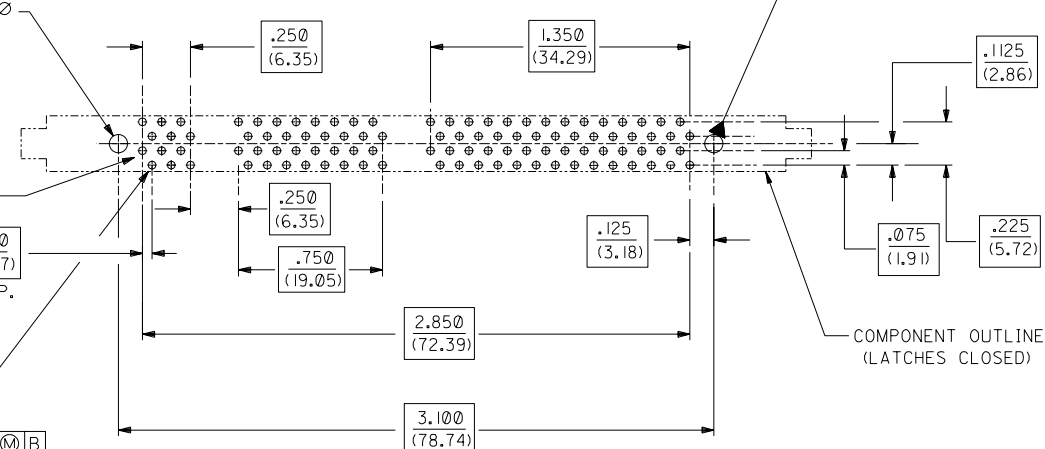
⊕ ∅ .004 / (0.10) B 2 PL

.093 +.003 / -.000 (2.36 +0.08 / -0.00) 2 PL

.050 (1.27) TYP.

.030 ± .003 (0.76 ± 0.08) TYP.

⊕ ∅ .004 / (0.10) B



RECOMMENDED P.C. BOARD HOLE PATTERN (CONNECTOR SIDE)

NOTES:

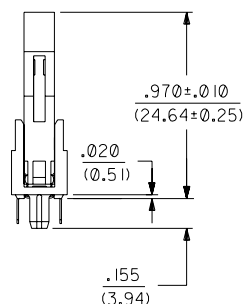
- CARD SLOT ACCEPTS .050 ± .004 (1.27 ± 0.10) MODULE THICKNESS. (MEASURED OVER P.C. PADS).
- ALL PEGS ARE INTERFERENCE FITS TO PCB UNLESS NOTED ON THE DWG.
- REFER TO PRODUCT SPEC. PS-71243 FOR PERFORMANCE SPECIFICATIONS.
- PRODUCT IS PACKAGED IN TRAYS.
- RECOMMENDED MODULE LAYOUT SHALL BE PER MO-161.
- RECOMMENDED PLATING ON MODULE PADS: 30 MICROINCH/(0.76 MICROMETER) MINIMUM HARD GOLD (AU) OVER 79 MICROINCH/(2.0 MICROMETER) MINIMUM NICKEL (NI).
- PRODUCT WILL HAVE DATE CODE STAMPED ON SIDE OF HOUSING.

MATERIALS:

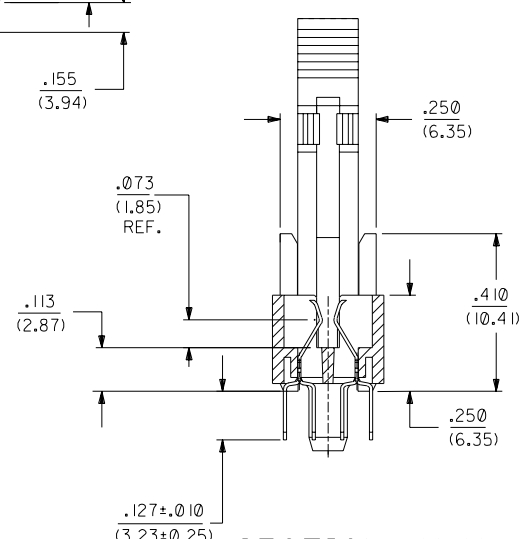
HOUSING - GLASS FILLED LIQUID CRYSTAL POLYMER (LCP), UL 94V-0, COLOR: BLACK.  
 TERMINAL - PHOSPHOR BRONZE  
 LATCHES - GLASS FILLED HIGH TEMPERATURE NYLON, UL 94V-0, COLOR: IVORY.

PLATING:

CONTACT AREA: MOLEX EBI LUBRICANT OVER GOLD (AU); THICKNESS=10 MICROINCH/(0.25 MICROMETER) MINIMUM.  
 SOLDER TAILS: TIN (Sn); THICKNESS=150 MICROINCH/(3.81 MICROMETER) MINIMUM.  
 UNDERPLATE: NICKEL (NI) OVER ENTIRE CONTACT.



NOTE FOR LEAD FREE CONVERSION:  
 THE PRIMARY SHIPPING CARTON WILL BE LABELED "COMPLIANT TO RoHS DIRECTIVE 2002/95/EC AND ELV ANNEX II OF DIRECTIVE 2000/53/EC". CARTONS WITHOUT THIS LABEL MAY CONTAIN PRODUCT WITH LEAD.



SECTION "X-X"

SCALE 4:1

2	A1			
1	C1	1		
MFG, SH.	REV.	LTR.	REVISIONS	

C1	ADD LEAD FREE NOTE ECN# UCP2004-1732 DMORGAN 04/03/09
C	CHANGE PLATING ECN# UDT2002-0772 DMORGAN 02/01/22
B	CHG Sn-Pb THICKNESS ECN# UDT1999-0454 DMORGAN 99/08/09
A1	REVISED PER ECR# U80435 97-8-8 LAURX
A	REVISED PER ECR# U70042 96-7-23 LAURX
2	REVISED PER ECR# U61257 4-10-96 JCL
	X-RELEASE PER ECR# U61175 3-26-96 JCL

DIMENSIONS SHOWN (METRIC) INCH UNLESS OTHERWISE SPECIFIED TOLERANCES: ANGULAR ± 1/2°		TITLE	
3 PL ± .005	INCH	.050 PITCH DIMM	
2 PL ± --- ± 0.13	METRIC	100 CKT MULTI-KEY	
1 PL ± --- ± 0.25		SALES DRAWING	
DRAFT WHERE APPLICABLE MUST REMAIN WITHIN DIMENSIONS		MOLEX INCORPORATED	SHEET NO. DATE
		60532	1 OF 2 03/26/96
		U.S.A.	
		PART NO.	DRWG. NO.
		SEE CHART	SDA-71251-5***
DRWG. BY: JCL	CHK'D. BY: DCB	FILE NAME: ST125151	THIS DRAWING CONTAINS INFORMATION THAT IS PROPRIETARY TO MOLEX INC. AND SHOULD NOT BE USED WITHOUT WRITTEN PERMISSION.
APP'D. BY: DCB	SCALE: 2:1	DESIGN	CP

