

TISP7015L1, TISP7038L1

TRIPLE ELEMENT THYRISTOR OVERVOLTAGE PROTECTORS

TISP70xxL1 (VLV) Overvoltage Protectors

Three Terminal Very Low Voltage (VLV) Protection Ion-Implanted Breakdown Region

Device	V _{DRM} V	V _(BO) V
'7015L1	8	15
'7038L1	28	38

Protection for Signal, Data and Control Lines

- ISDN
- T1/E1
- Ethernet
- RS232 & RS485

Low Capacitance

- '7015L1 24 pF typ.
- '7038L1 17 pF typ.

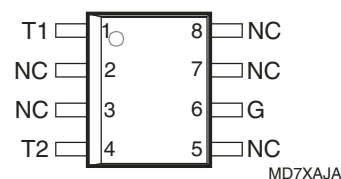
Rated for International Surge Wave Shapes

Voltage Waveshape	Standard	I _{PPSM} A
2/10	GR-1089-CORE	200
1.2/50	IEC 61000-4-5	100
10/700	TIA/EIA-IS-968 ITU-T K.20/45/21	50
10/1000	GR-1089-CORE	30

IEC 61000-4-2 Immunity Ratings

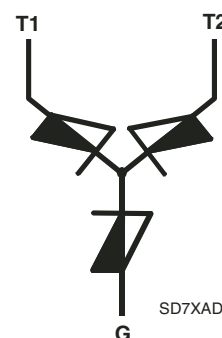
- Contact 6 kV
- Air 8 kV

D Package (Top View)



NC - No internal connection

Device Symbol



..... UL Recognized Components

Description

The TISP70xxL1 series are 3-point overvoltage protectors designed for protecting against metallic (transverse mode) and simultaneous longitudinal (common mode) impulses. Each terminal pair has the same voltage limiting values and surge current capability.

These devices are designed to limit overvoltages between signal, data and control port conductors, connected to terminals T1 and T2, and a protective ground, G. Each terminal pair has a symmetrical voltage-triggered bidirectional thyristor characteristic (Figure 1). Overvoltages are initially clipped by breakdown clamping until the voltage rises to the breakover level, which causes the device to crowbar into a low-voltage on state. This low-voltage on state causes the current resulting from the overvoltage to be safely diverted through the device. The device holding current will normally be higher than the available short circuit d.c. system current, causing the protector to switch off as the diverted current subsides.

How To Order

Device	Package	Carrier	For Standard Termination Finish Order As	For Lead Free Termination Finish Order As
TISP7015L1	D (8-pin, Small-outline)	R (Embossed Tape Reeled)	TISP7015L1DR	TISP7015L1DR-S
		Tube	TISP7015L1D	TISP7015L1D-S
TISP7038L1	D (8-pin, Small-outline)	R (Embossed Tape Reeled)	TISP7038L1DR	TISP7038L1DR-S
		Tube	TISP7038L1D	TISP7038L1D-S

*RoHS Directive 2002/95/EC Jan 27 2003 including Annex JULY 2000 – REVISED FEBRUARY 2005

Specifications are subject to change without notice.

Customers should verify actual device performance in their specific applications.

TISP70xxL1 (VLV) Overvoltage Protectors

BOURNS®

The TISP70xxL1 is guaranteed to withstand the listed international ESD (ElectroStatic Discharge), and lightning impulses in both polarities. Terminals marked NC do not have any internal connections and may be left floating or tied to some circuit point. The TISP7038L1 is a functional replacement for the TPN3021.

Absolute Maximum Ratings, $T_J = 25\text{ }^\circ\text{C}$ (Unless Otherwise Noted)

Rating	Symbol	Value	Unit
Repetitive peak off-state voltage	TISP7015L1 TISP7038L1	± 8 ± 28	V
Non-repetitive peak on-state pulse current (see Notes 1 and 2)	I_{PPSM}	200	A
2/10 (Telcordia GR-1089-CORE, 2/10 voltage wave shape)		100	
1/20 (ITU-T K.22, 1.2/50 voltage wave shape, also VDE0878)		100	
8/20 (IEC 61000-4-5, Figure 12 generator, 1.2/50 voltage wave shape)		75	
10/160 (TIA/EIA-IS-968 (formally FCC Part 68), 10/160 voltage wave shape)		50	
5/310 (ITU-T k.20/21, 10/700 voltage wave shape, also IEC 61000-4-5 and VDE0433)		40	
10/560 (TIA/EIA-IS-968 (formally FCC Part 68), 10/560 voltage wave shape)		30	
Non-repetitive peak on-state current (see Note 1)	I_{TSM}	9	A
16.7 ms (60 Hz) full sine wave		8	
20 ms (50 Hz) full sine wave		3	
0.2 s 50 Hz/60 Hz a.c.		1.5	
2.0 s 50 Hz/60 Hz a.c.			
Junction temperature	T_J	-40 to +150	$^\circ\text{C}$
Storage temperature range	T_{stg}	-65 to +150	$^\circ\text{C}$

NOTES: 1. Initially the TISP70xxL1 must be in thermal equilibrium at the specified T_A . The surge may be repeated after the TISP70xxL1 returns to its initial conditions.
2. These non-repetitive rated currents are peak values of either polarity.

EMC Immunity Test Ratings, $T_A = 25\text{ }^\circ\text{C}$ (Unless Otherwise Noted)

Rating	Symbol	Value	Unit
Level 3 open-circuit voltage, IEC 61000-4-2, 2001-4, ESD generator, also ITU-T K.20	$V_{O/C}$	6	kV
contact discharge air discharge		8	

Electrical Characteristics, $T_J = 25\text{ }^\circ\text{C}$ (Unless Otherwise Noted)

Parameter	Test Conditions	Min	Typ	Max	Unit
I_{DRM} Repetitive peak off-state current	$V_D = \pm V_{DRM}$			± 4	μA
$V_{(BO)}$ Breakover voltage	$dv/dt = \pm 250\text{ V/ms}$, $R_{SOURCE} = 300\ \Omega$			± 15 ± 38	V
$I_{(BO)}$ Breakover current	$dv/dt = \pm 250\text{ V/ms}$, $R_{SOURCE} = 300\ \Omega$			± 300	mA
I_H Holding current	$I_T = \pm 5\text{ A}$, $di/dt = \pm 30\text{ mA/ms}$	± 30			mA

TISP70xxL1 (VLV) Overvoltage Protectors

BOURNS®

Electrical Characteristics, $T_J = 25\text{ }^\circ\text{C}$ (Unless Otherwise Noted) (Continued)

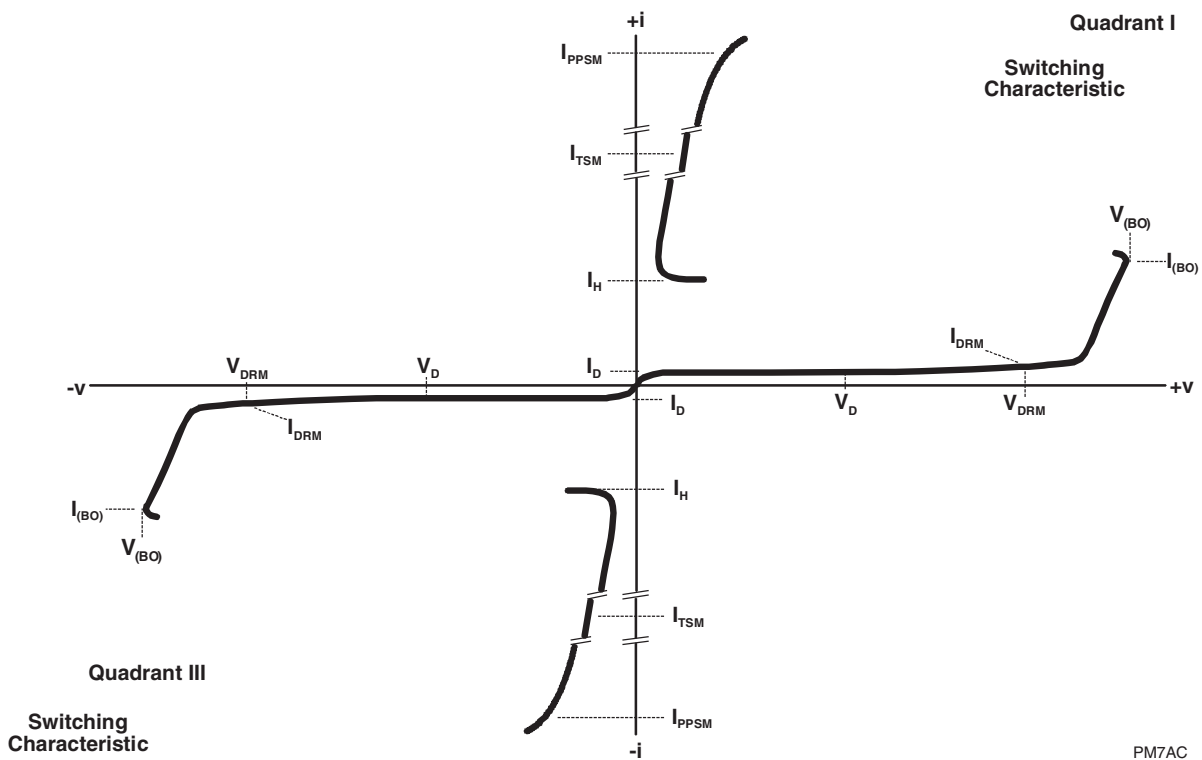
Parameter	Test Conditions	Min	Typ	Max	Unit
C_{KA} Off-state capacitance	$f = 1\text{ MHz}$, $V_d = 1\text{ V rms}$, $V_D = 0$ (see Note 3)	TISP7015L1	24		pF
		TISP7038L1	17		

NOTE 3: Value for any terminal pair, three-terminal guarded measurement with zero voltage bias on the unmeasured terminal.

Thermal Characteristics

Parameter	Test Conditions	Min	Typ	Max	Unit
$R_{\Theta JA}$ Junction to free air thermal resistance	$P_{tot} = 0.8\text{ W}$, $T_A = 25\text{ }^\circ\text{C}$, 5 cm^2 , FR4 PCB			170	$^\circ\text{C/W}$

Parameter Measurement Information



PM7AC

Figure 1. Voltage-Current Characteristic for any Terminal Pair

Typical Characteristics

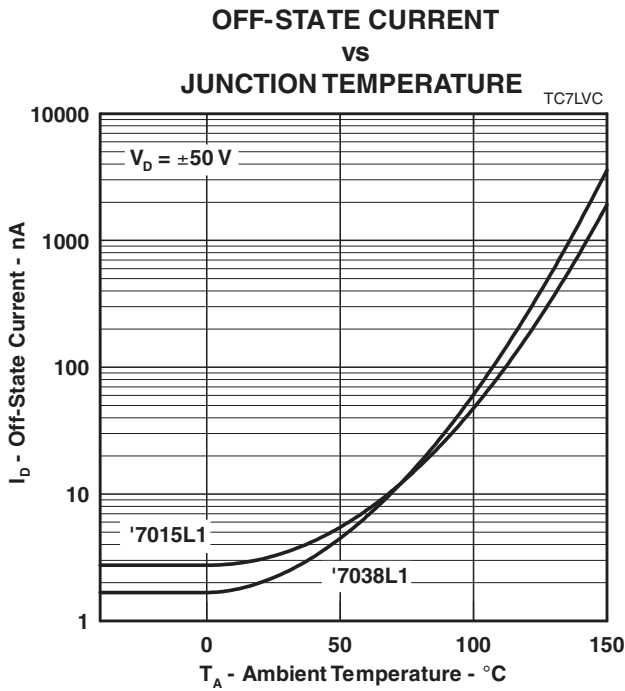


Figure 2.

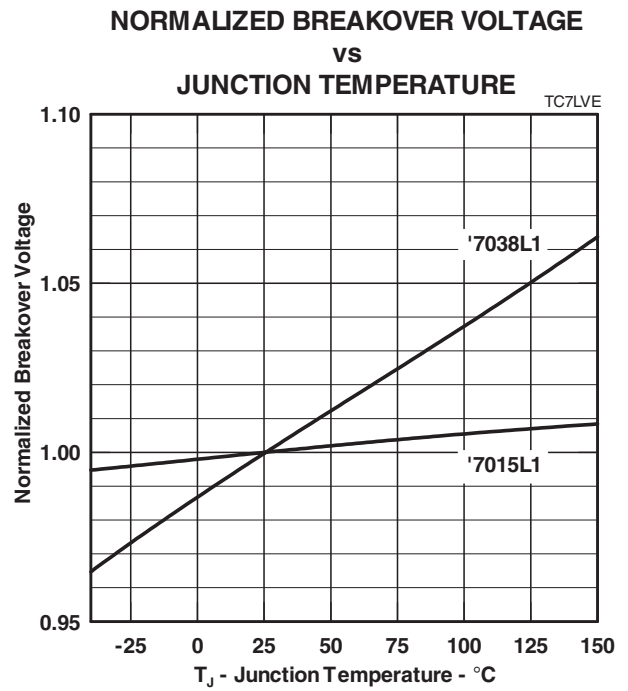


Figure 3.

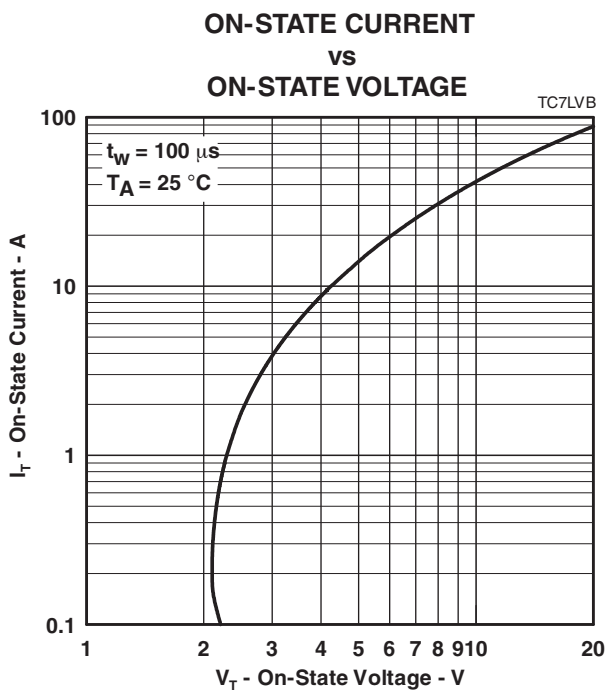


Figure 4.

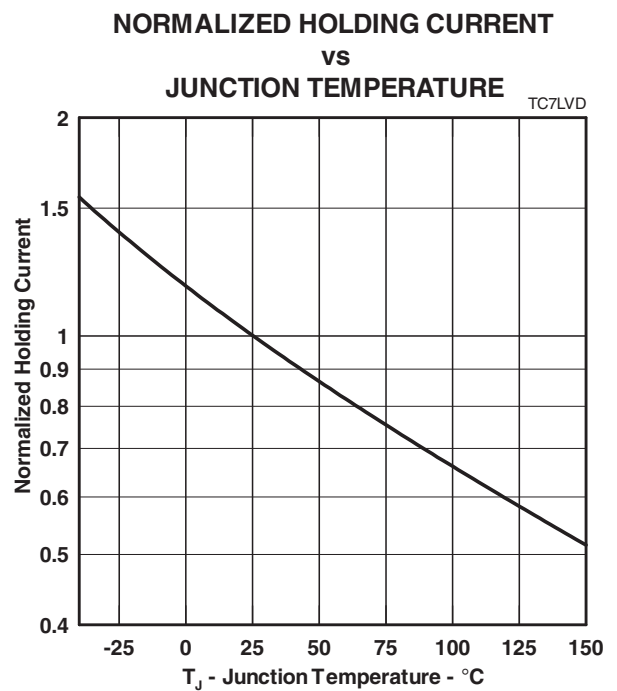


Figure 5.

Typical Characteristics

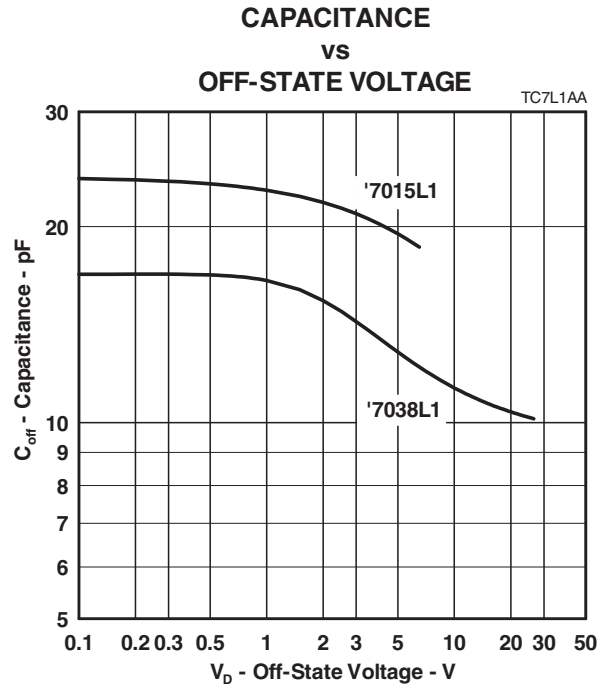


Figure 6.

Rating and Thermal Information

NON-REPETITIVE PEAK ON-STATE CURRENT vs CURRENT DURATION

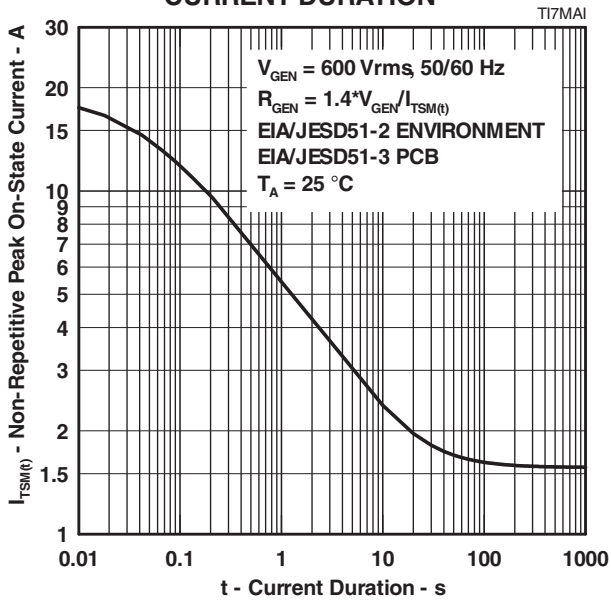


Figure 7.

V_{DRM} DERATING FACTOR vs MINIMUM AMBIENT TEMPERATURE

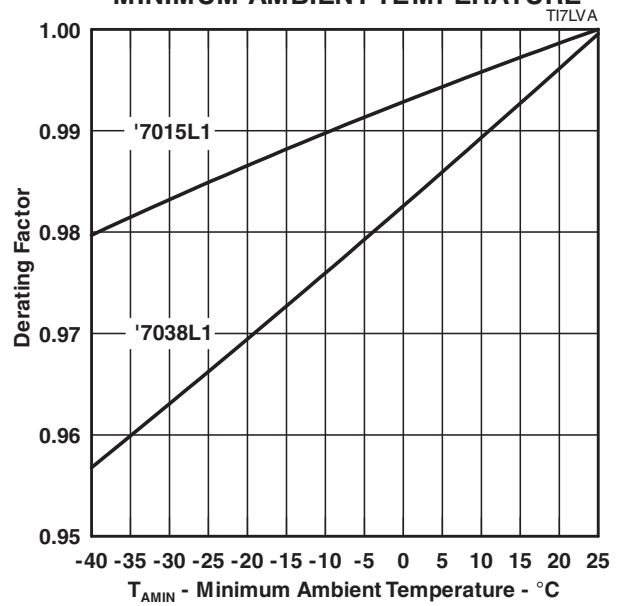


Figure 8.

MECHANICAL DATA

Device Symbolization Code

Devices will be coded as below.

Device	Symbolization Code
TISP7015L1	7015L1
TISP7038L1	7038L1

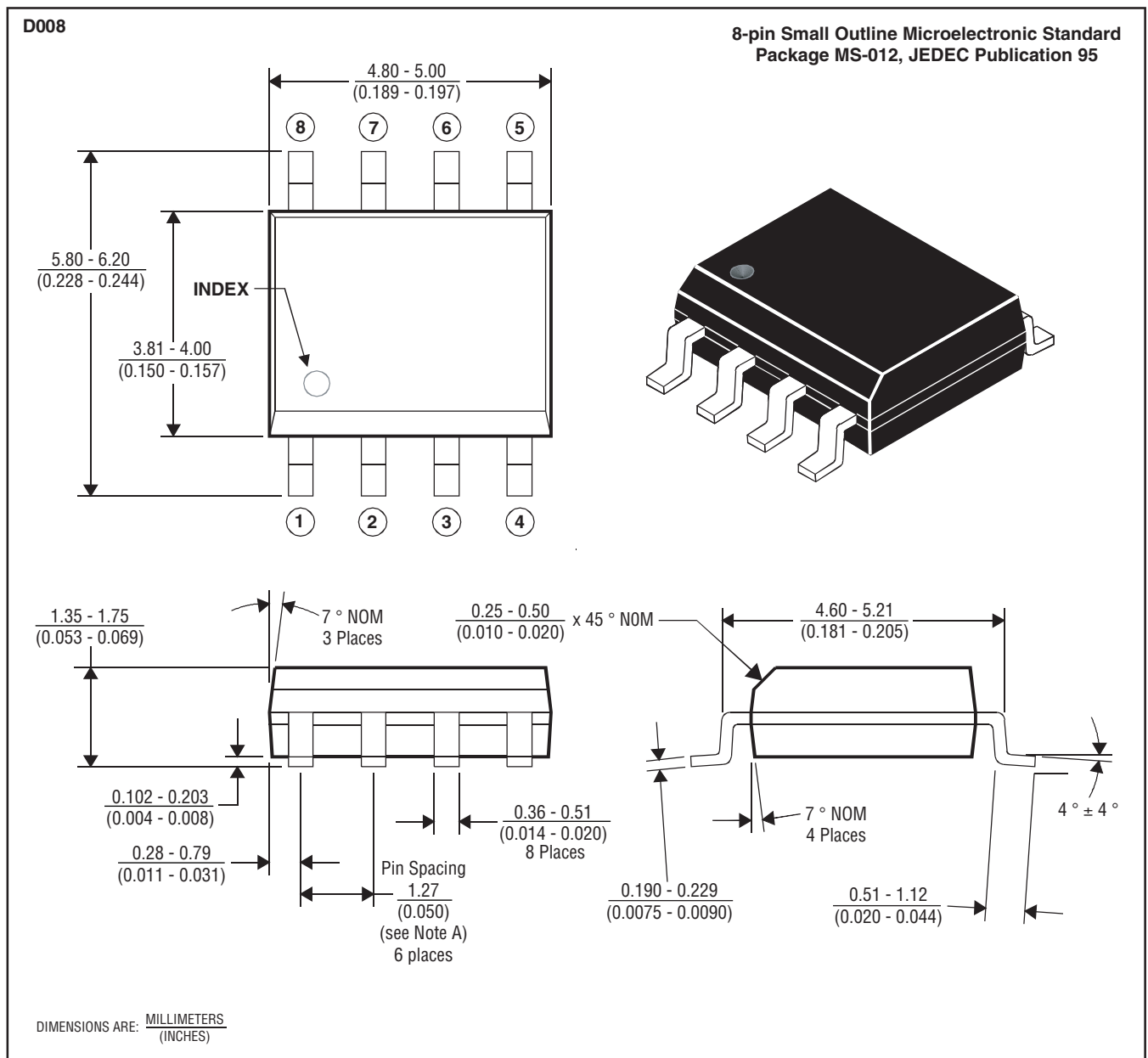
TISP70xxL1 (VLV) Overvoltage Protectors

BOURNS®

MECHANICAL DATA

D008 Plastic Small-outline Package

This small-outline package consists of a circuit mounted on a lead frame and encapsulated within a plastic compound. The compound will withstand soldering temperature with no deformation, and circuit performance characteristics will remain stable when operated in high humidity conditions. Leads require no additional cleaning or processing when used in soldered assembly.



- NOTES: A. Leads are within 0.25 (0.010) radius of true position at maximum material condition.
 B. Body dimensions do not include mold flash or protrusion.
 C. Mold flash or protrusion shall not exceed 0.15 (0.006).
 D. Lead tips to be planar within ± 0.051 (0.002).

MDXXAAE

JULY 2000 – REVISED FEBRUARY 2005

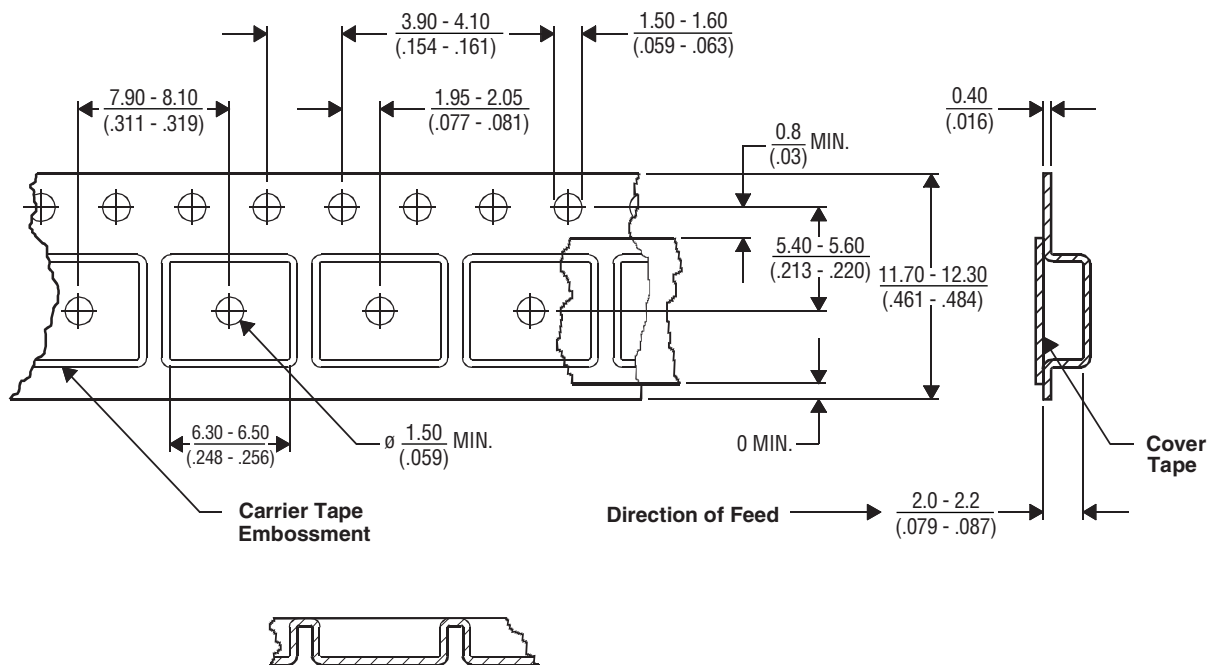
Specifications are subject to change without notice.

Customers should verify actual device performance in their specific applications.

MECHANICAL DATA

D008 Tape Dimensions

D008 Package (8-pin Small Outline) Single-Sprocket Tape



DIMENSIONS ARE: MILLIMETERS
(INCHES)

NOTES: A. Taped devices are supplied on a reel of the following dimensions:-

MDXXATC

Reel diameter: $\frac{330 \pm 0.0/-4.0}{(12.99 \pm 0.0/-1.57)}$

Reel hub diameter: $\frac{100 \pm 2.0}{(3.937 \pm .079)}$

Reel axial hole: $\frac{13.0 \pm 0.2}{(.512 \pm .008)}$

B. 2500 devices are on a reel.