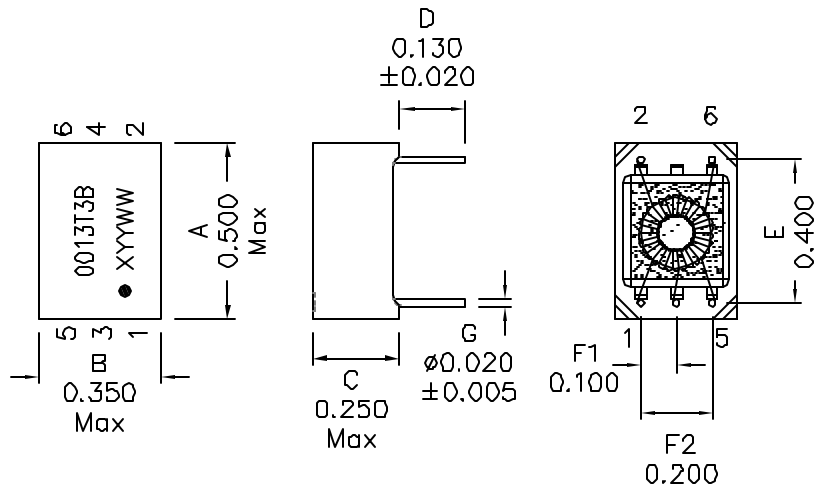


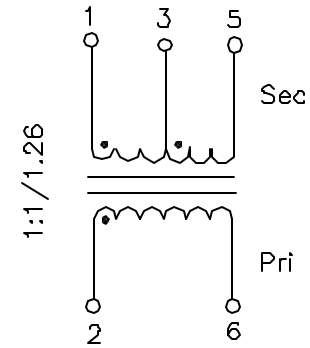
1. Dimensions:



Notes:

1. Solderability: Leads shall meet MIL-STD-202G, Method 208H for solderability.
2. Flammability: UL94V-0
3. ASTM oxygen index: > 28%
4. Insulation System: Class F 155°C. UL file E151556
5. Operating Temperature Range: All listed parameters are to be within tolerance from 0°C to +85°C
6. Storage Temperature Range: -55°C to +125°C
7. Aqueous wash compatible
8. Electrical and mechanical specifications 100% tested
9. RoHS Compliant Component
10. Pin 4 is removed.

2. Schematic:



3. Electrical Specifications: @25°C

PRI OCL: 1.5mH Min @100KHz 50mV

PRI Q: 8 Min @10KHz 50mV

PRI LL: 0.80uH Max @100KHz 50mV (SEC Shorted)

Cw/w: 50pF Max @100KHz 50mV (PRI/SEC)

PRI DCR: 0.90 Ohms Max

SEC DCR: 1.10 Ohms Max

Turns Ratio(±5%): (2-6):(3-5)=1:1

(2-6):(1-5)=1:1.26

Isolation Voltage: 1500Vrms (PRI/SEC)

DOC. REV B/3

PROPRIETARY

Document is the property of XFMRs Group & is not allowed to be duplicated without authorization.

| | | | |
|--|----------------|---|-----------|
| XFMRs Inc www.XFMRs.com | | Title: T1/CEPT/DS1 MAGNETICS TRANSFORMERS | |
| UNLESS OTHERWISE SPECIFIED TOLERANCES: .xxx ±0.010 Dimensions in Inch | P/N: XF0013T3B | REV. B | |
| | DWN. | Feng | Nov-09-10 |
| | CHK. | YK Liao | Nov-09-10 |
| SHT 1 OF 1 | APP. | Joe Huff | Nov-09-10 |