

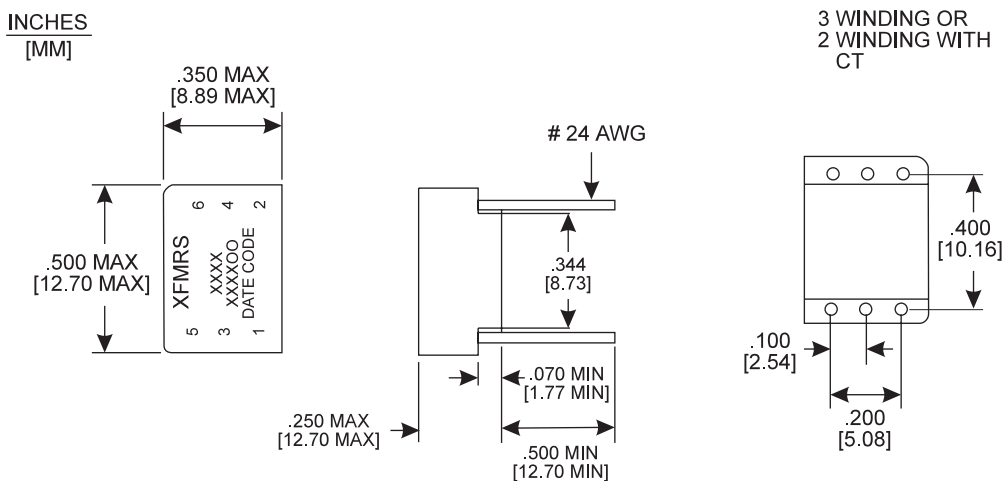
T1 / CEPT / DS1 MAGNETICS

ELECTRICAL SPECIFICATIONS @ 25°C

ISOLATION : 2,000 VRMS
 INSULATION RESISTANCE : 10,000 MOHMS
 OCL @ 25°C : 1.2mH MIN.

PART NUMBER	TURNS RATIO	PRI / SEC Cw/w (pf MAX)	PRI SEC L _L (μh MAX)	DCR PRI (OHMS MAX)	DCR SEC (OHMS MAX)	SCHEMATIC
XF0013D1	1:1.14CT	35	0.50	0.70	0.90	B
XF00131T3	1:1.36CT	35	0.50	0.70	1.00	B
XF00131T4	1:2.3CT	35	0.50	0.70	1.70	B
XF0013T1	1:1:1	25	0.50	0.70	0.70	C
XF0013T3	1:1:1.266	35	0.40	0.70	0.90	C
XF00131T1	1CT:1	25	0.50	0.70	0.70	B
XF00131C1	1CT:1CT	25	0.50	0.70	0.70	B
XF00123D	1CT:2CT	35	0.50	0.70	1.50	B
XF00131T5	1CT:3CT	45	0.50	0.70	2.00	B
XF0013D	2CT:1CT	35	0.80	0.70	0.35	B
XF0013T3B	1:1/1.26	50	0.80	0.90	1.10	A
XF00131T6	1:1.15CT	40	0.80	0.90	1.00	A
XF00131T6A	1:1.15CT	35	0.60	0.70	0.90	A
XF00131T7	1:4CT	40	1.00	0.50	1.50	B

Dimensions:



Note: All unused pins are removed.

Schematics:

