

**PLEASE CHECK WWW.MOLEX.COM FOR LATEST PART INFORMATION**

**Part Number:** [0190160036](#)  
**Status:** **Active**  
**Description:** Krimptite™ Quick Disconnect, Female, for 14-16 (2.00-1.30) Wire, Mylar Tape, Tab 2.79mm (.110") x 0.51mm (.020")

**Documents:**

[Drawing \(PDF\)](#) [RoHS Certificate of Compliance \(PDF\)](#)

**Agency Certification**

CSA LR18689  
 UL E79133

**General**

Product Family Quick Disconnects  
 Series [19016](#)  
 Comments Butted Seam  
 Crimp Quality Equipment Yes  
 Product Name Krimptite™  
 Type Quick Disconnect

**Physical**

Barrel Type Closed  
 Gender Female  
 Glow-Wire Compliant No  
 Insulation None  
 Lock to Mating Part None  
 Material - Metal Brass  
 Material - Plating Mating Tin  
 Material - Plating Termination Tin  
 Orientation Straight  
 Packaging Type Adhesive Tape on Reel  
 Plating min: Mating (µin) 100  
 Plating min: Mating (µm) 2.5  
 Plating min: Termination (µin) 100  
 Plating min: Termination (µm) 2.5  
 Polarized to Mating Part No  
 Tab Thickness 0.51mm (.020")  
 Tab Width 2.79mm (.110")  
 Temperature Range - Operating Per Wire Specification  
 Termination Interface: Style Crimp or Compression  
 Wire Size AWG 14, 16  
 Wire Size mm² 1.30 - 2.00

**Electrical**

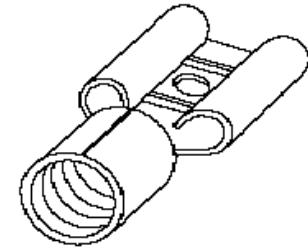
Voltage - Maximum Per Wire Specification

**Material Info**

Old Part Number BB-1132T

**Reference - Drawing Numbers**

Sales Drawing SD-19016-001



*Series  
 image - Reference only*

**EU RoHS**

**ELV and RoHS  
 Compliant**  
**REACH SVHC  
 Contains SVHC: No**  
**Halogen-Free  
 Status  
 Not Reviewed**

**China RoHS**



**Need more information on product  
 environmental compliance?**

Email [productcompliance@molex.com](mailto:productcompliance@molex.com)  
 For a multiple part number RoHS Certificate of Compliance, [click here](#)

Please visit the [Contact Us](#) section for any non-product compliance questions.

**Search Parts in this Series**

[19016Series](#)

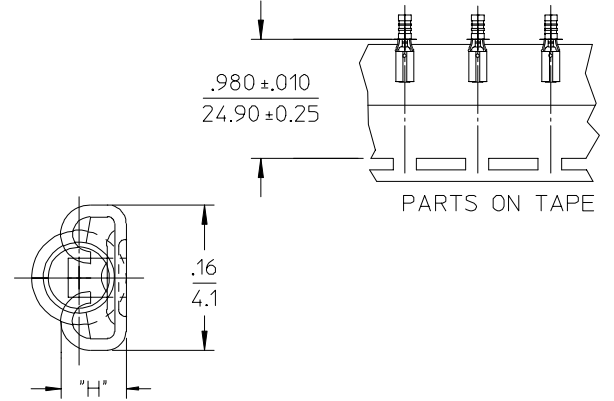
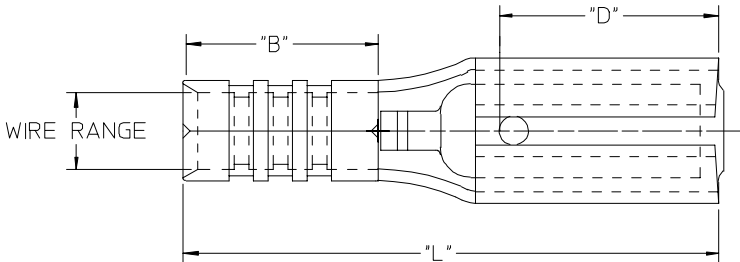
**Application Tooling | [FAQ](#)**

*Tooling specifications and manuals are found by selecting the products below. Crimp Height Specifications are then contained in the Application Tooling Specification document.*

**Global**

Description	Product #
ATP Perishable Tool Kit used in ATP presses that process product on tape	<a href="#">0190270071</a>

MATERIAL NUMBER	ENGINEERING NUMBER	TAPE MATERIAL NUMBER	TAPE ENGINEERING NUMBER	WIRE RANGE AWG MM <sup>2</sup>	FITS MALE TAB SIZE	"L" MAX.	"B" ±.01/(±0.3)	"H" ±.01/(±0.3)
190160112	M-1133	190160097	M-1133T	26-24 0.1 -0.3	.110x.032 (2.80 X 0.81)	.53 (13.5)	.16 (4.1)	.08 (2.0)
190160037	BB-1135	190160038	BB-1135T	16-14 1.0-2.6	.110x.032 (2.80 X 0.81)	.57 (14.5)	.20 (5.1)	.08 (2.0)
190160075	M-1130	190160076	M-1130T	26-24 0.1 -0.3	.110x.020 (2.80 X 0.51)	.53 (13.5)	.16 (4.1)	.07 (1.8)
190160035	BB-1132	190160036	BB-1132T	16-14 1.0-2.6	.110x.020 (2.80 X 0.51)	.57 (14.5)	.20 (5.1)	.07 (1.8)



NOTES:

- MATERIAL: BRASS .012 (.30) THK.  
FINISH: ELECTRO-TIN PLATING

WAS: CD-1903 EC NO: ETC2005-0016 DRWN: BENDERLE 2004/07/29 CHKD: BENDERLE 2004/07/29 APPR: RDEROSS 2004/07/29	QUALITY SYMBOLS	GENERAL TOLERANCES (UNLESS SPECIFIED)		SCALE	DESIGN UNITS	THIRD ANGLE PROJECTION	REVISE ON CAD ONLY			
	▽ = 0 ∇ = 0	4 PLACES	mm	INCH	NONE INCH	DIMENSION STYLE IN/MM	TITLE KRIMPTITE QUICK DISCONNECTS			
		3 PLACES	± ---	± ---						
		2 PLACES	± ---	± ---						
1 PLACE	± ---	± ---	ANGULAR ± ---°	DRAWN BY BENDERLE	DATE 2004/07/26	CHECKED BY R DEROSS	DATE 2004/07/26	MATERIAL NO. SEE CHART	DOCUMENT NO. SD-19016-001	SHEET NO. 1 OF 1
DRAFT WHERE APPLICABLE MUST REMAIN WITHIN DIMENSIONS	THIS DRAWING CONTAINS INFORMATION THAT IS PROPRIETARY TO MOLEX INCORPORATED AND SHOULD NOT BE USED WITHOUT WRITTEN PERMISSION		MOLEX MOLEX INCORPORATED							