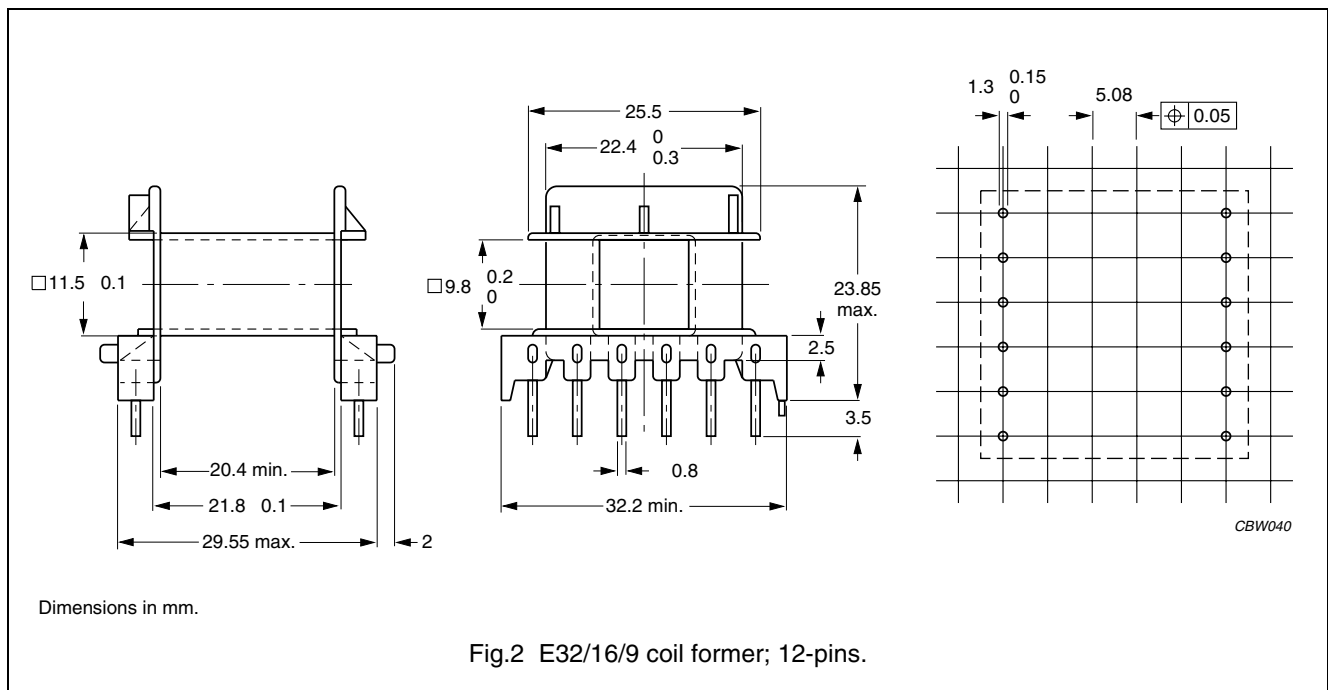


COIL FORMER

General data for 12-pins E32/16/9 coil former

PARAMETER	SPECIFICATION
Coil former material	polyamide (PA6.6), glass reinforced, flame retardant in accordance with "UL 94V-0"; UL file number E41871(M)
Pin material	copper-tin alloy (CuSn), tin (Sn) plated
Maximum operating temperature	130 C, "IEC 60085", class B
Resistance to soldering heat	"IEC 60068-2-20", Part 2, Test Tb, method 1B: 350 C, 3.5 s
Solderability	"IEC 60068-2-20", Part 2, Test Ta, method 1: 235 C, 2 s



Winding data for 12-pins E32/16/9 coil former

NUMBER OF SECTIONS	WINDING AREA (mm ²)	MINIMUM WINDING WIDTH (mm)	AVERAGE LENGTH OF TURN (mm)	TYPE NUMBER
1	97	20.4	60	CPH-E32/16/9-1S-12P