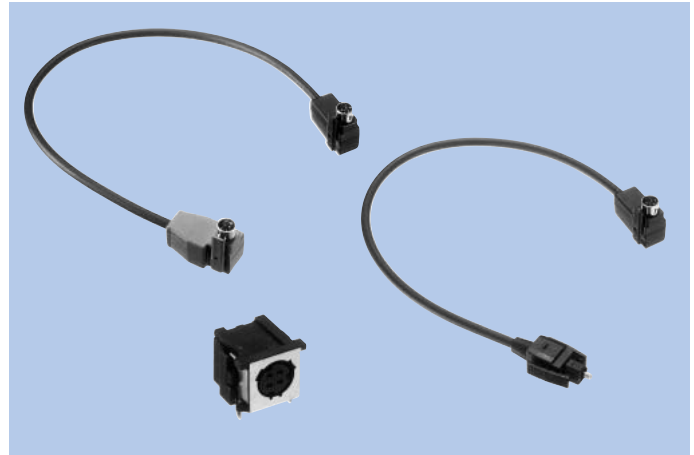


Optical Digital Connectors MA-909, CSK-M94

FEATURES

1. A small L-type plug having a built-in Optical/Electric converter (E/O type, O/E type).
2. An adjustable device (A device for adjusting fiber length is provided.) is provided.
3. Electrical plug fitting to socket (CSK-M94) ensures excellent vibration resistance with easy handling.
4. A lock device ensures excellent vibration resistance.



HOW TO ORDER

1. MA-909 Series

MA-909--
1 2 3

- 1 Series No. (909)
- 2 Running No. assigned by us
- 3 Supplementary No.

2. CSK-M94

M94--
1 2 3

- 1 Series No. (M94)
- 2 Running No. assigned by us
- 3 Supplementary No.

SPECIFICATIONS

ELECTRICAL CHARACTERISTICS

Transmission Speed	DC~6Mb/s (NRZ)
Output Interface	TTL direct-drive
Input Interface	LED direct-drive
Pulse Width Distortion	±30ns
Jitter Quantity	15ns max.

MECHANICAL CHARACTERISTICS

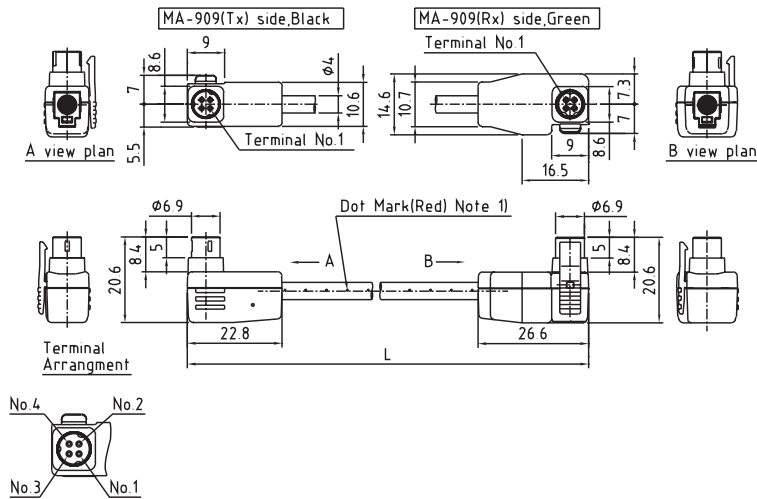
Min. Bending Radius of Fiber	30mm
------------------------------	------

MATERIAL & FINISH

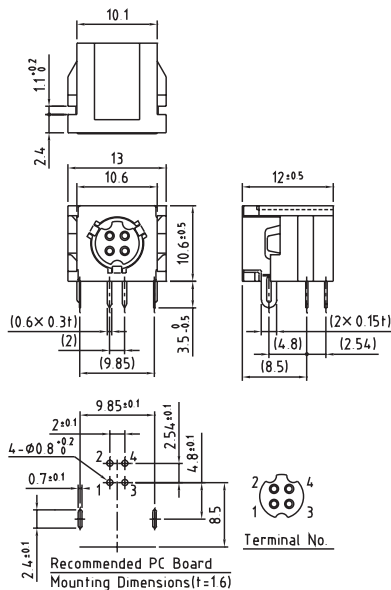
Component Parts		Material	Finish
MA-909	Optical Fiber Cable	APF (PMMA resin)	Coated PCV resin (Black)
	Plug Contact	Copper Alloy	Gold plating
	Plug Housing	PBT resin	(Black)
	Shielded Pipe	Steel	Gold plating
	Bottom Cover	Denatured PPO resin	—
	Top Cover	Denatured PPO resin	—
	Ferrule	PBT resin	(Black)
CSK-M94	Housing	PBT resin	—
	Cover	PBT resin	—
	Contact	Copper Alloy	Gold plating
	Shielded Case	Copper Alloy	Gold flash plating Tin reflow plating

DIMENSIONS

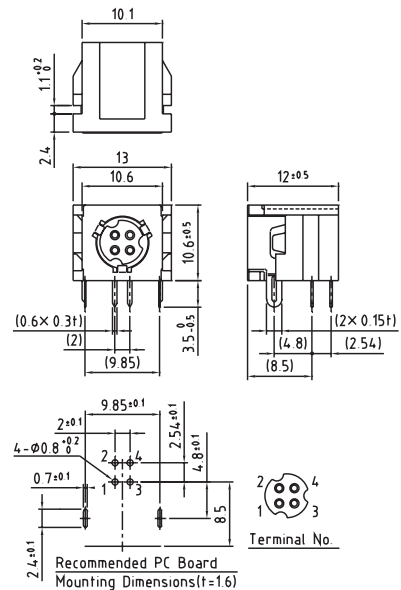
MC-909



CSK-M94 (R)



CSK-M94 (T)



Unit : mm