

Model P160  
 16mm Rotary Potentiometer  
 Conductive Plastic Element  
 100,000 Cycle Life  
 Metal shaft / Bushing  
 Multi - Ganged available  
 RoHS Compliant



## MODEL STYLES

Side Adjust , Solder Lugs	P160KNP
Side Adjust , PC pins	P160KN
Side Adjust , PC Pins, Long pins	P160KN2
Rear Adjust, PC pins	P160KNPD

## ELECTRICAL<sup>1</sup>

Resistance Range, Ohms	500-1M
Standard Resistance Tolerance	± 20%
Residual Resistance	20 ohms max.
Power rating Input Voltage, maximum	200 Vac max.
Power Rated, Watts	0.2W- B taper, 0.1W-others
Dielectric Strength	500Vac, 1 minute
Insulation Resistance, Minimum	100M ohms at 250Vdc
Sliding Noise	100mV max.
Actual Electrical Travel, Nominal	260°

## MECHANICAL

Total Mechanical Travel	300°± 10°
Static Stop Strength	90 oz-in
Rotational Torque	0.5 to 1.25 oz-in

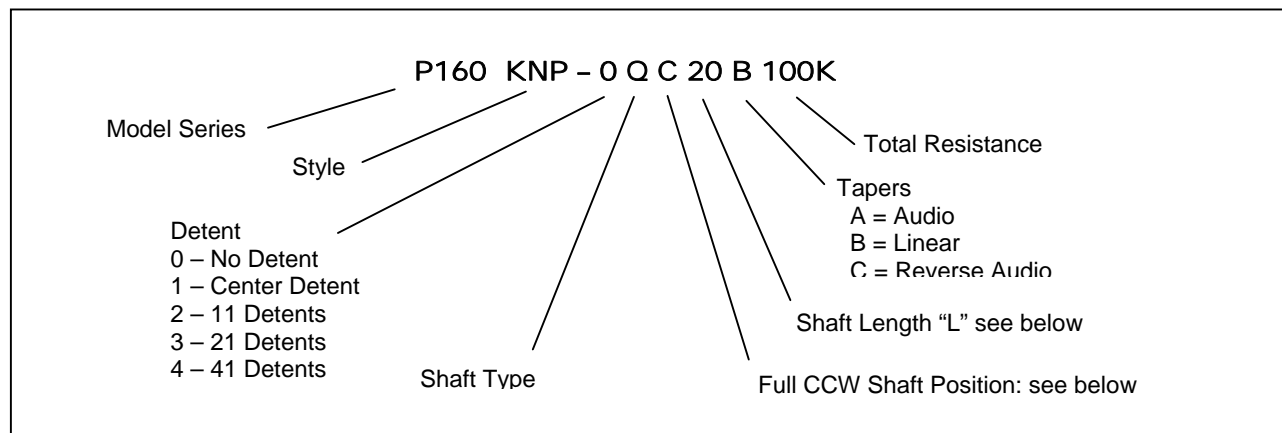
## ENVIRONMENTAL

Operating Temperature Range	-20°C to +70°C
Rotational Life	100,000 cycles

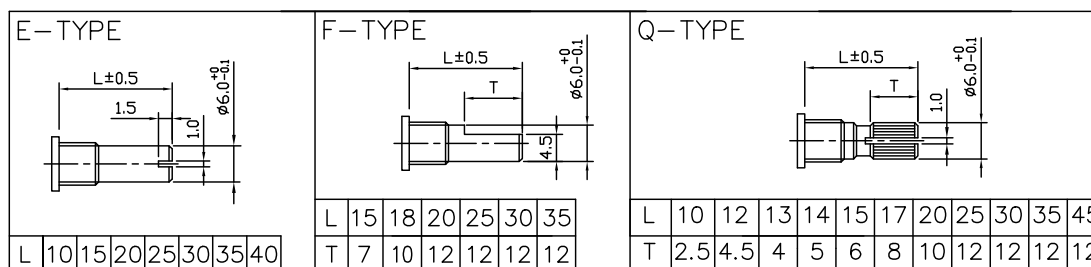
<sup>1</sup> Specifications subject to change without notice.

# Model P160

## ORDERING INFORMATION<sup>2</sup>

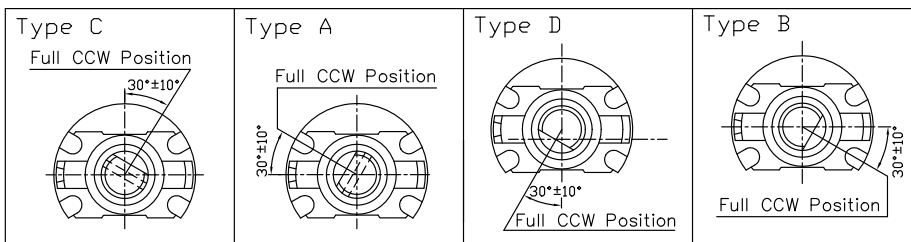


### Shaft Types



### Shaft Position (F-Type Shaft)

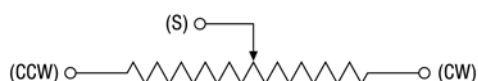
Dashed lines on Type "C" and Type "A" shows position of adjustment slot for E-Type and Q-Type shafts



## STANDARD RESISTANCE VALUES, OHMS

500    1K    2K    5K    10K    20K    50K    100K    200K    500K    1MEG

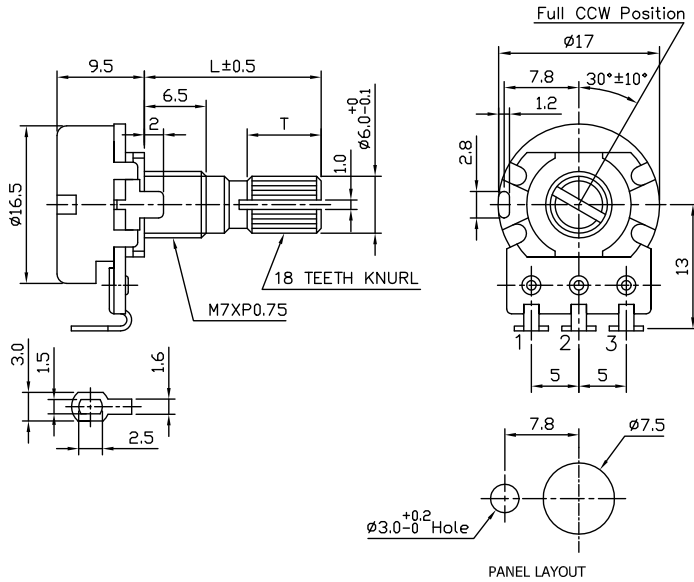
## CIRCUIT DIAGRAM



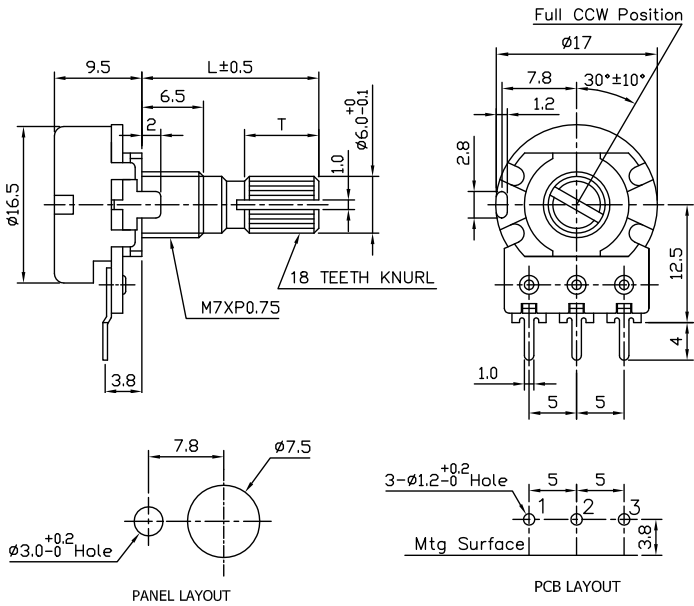
# Model P160

## OUTLINE DRAWING

### Model P160KNP (Side Adjust , Solder Lugs)



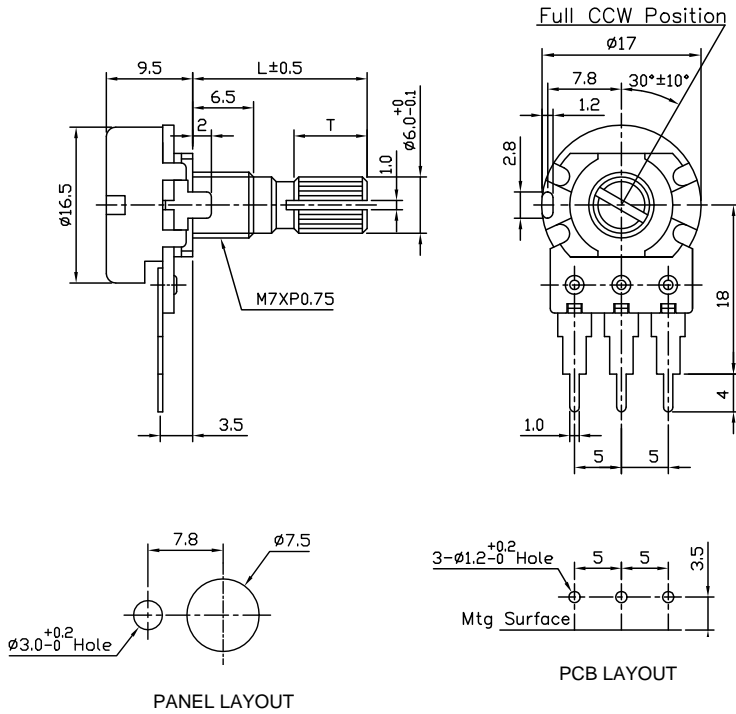
### Model P160KN (Side Adjust , PC pins)



<sup>2</sup> Contact our customer service for custom designs and features.

# Model P160

## Model P160KN2 (Side Adjust , PC Pins, Long pins)



## Model P160KNPD (Rear Adjust , PC Pins)

