

**PLEASE CHECK WWW.MOLEX.COM FOR LATEST PART INFORMATION**

**Part Number:** [0352700310](#)  
**Status:** **Active**  
**Description:** 6.00mm (.236") Tab Wire-to-Wire Receptacle Housing, Secondary Lock, 3 Circuits

**Documents:**

[Drawing \(PDF\)](#) [RoHS Certificate of Compliance \(PDF\)](#)  
[Product Specification PS-35270-001 \(PDF\)](#)

**General**

Product Family	Crimp Housings
Series	<a href="#">35270</a>
Product Name	N/A

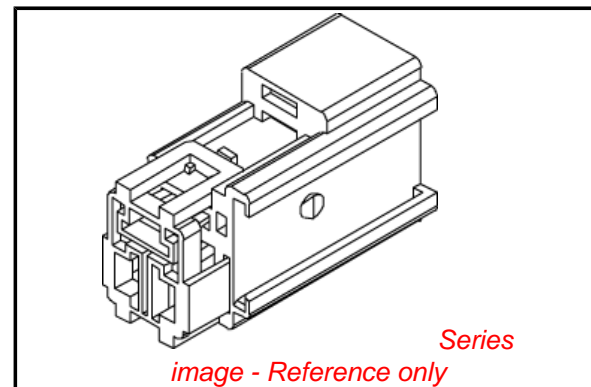
**Physical**

Circuits (maximum)	3
Color - Resin	Natural
Gender	Female
Glow-Wire Compliant	No
Material - Resin	Polyester
Number of Rows	2
Packaging Type	Bag
Panel Mount	No
Pitch - Mating Interface (in)	0.157 In, 0.276 In
Pitch - Mating Interface (mm)	4.00 mm, 7.00 mm
Stackable	No
Temperature Range - Operating	-40°C to +80°C

**Material Info**

**Reference - Drawing Numbers**

Product Specification	PS-35270-001
Sales Drawing	SD-35270-0310



**EU RoHS**

**ELV and RoHS Compliant**  
**REACH SVHC**  
 Not Reviewed  
**Halogen-Free Status**

**China RoHS**



**Need more information on product environmental compliance?**

Email [productcompliance@molex.com](mailto:productcompliance@molex.com)  
 For a multiple part number RoHS Certificate of Compliance, [click here](#)

Please visit the [Contact Us](#) section for any non-product compliance questions.

**Search Parts in this Series**  
[35270Series](#)

**Mates With**  
[35272](#)

**Use With**  
[35427](#) , [35430](#)

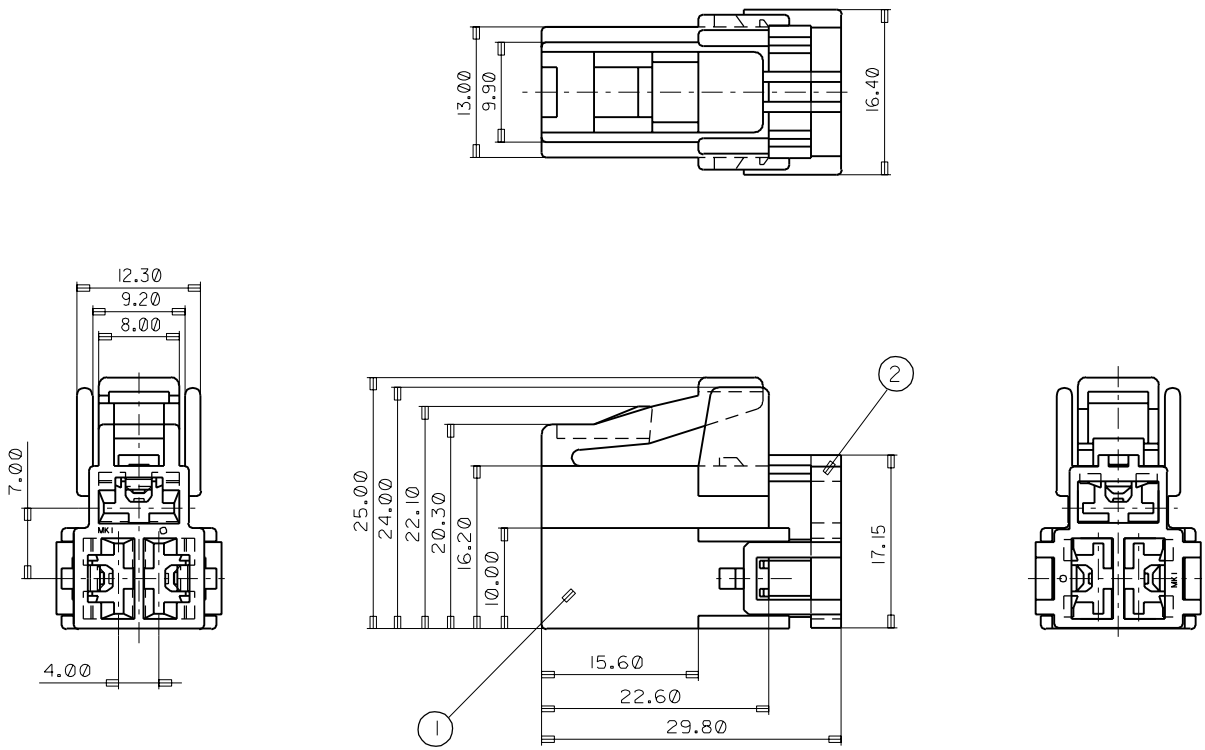
ENG. NO SD 35270-0310

EDP NO.

SIMILAR ITEM

PROJECT NO.

8 7 6 5 4 3 2 1



	P/NO.	PART NAME	MATERIAL
①	35270-0390	POWERMATE FEMALE HS'G 3P	PBT
②	35271-0380	POWERMATE FEMALE TPA 3P	PBT

\* APPLICABLE TERMINAL : 35427-97\*\*,98\*\*,99\*\*  
35430-1700,1800,1900

			MATERIAL SEE TABLE		MOLEX-KOREA CO.,LTD.	
			GENERAL TOLERANCE		DRAWN BY	
			DIMENSION : *0.20		961113 J.K.OH	
			ANGLE :		CHK'D BY	
			DIMENSION CLASSIFICATION		APP'D BY	
			▽ : CRITICAL ▼ : MAJOR		SCALE 2 : 1	
			( ) : REFERENCE		TITLE :	
A	NEW RELEASE	971114	ASS'Y PART		POWERMATE FEMALE ASSY	
LTR	REVISION RECORD	ECN	DATE	DESCRIPTION	-3P	
REVISE ONLY ON CAD SYSTEM				ENG. NO.		SHEET
				SD 35270-0310		1/1
						REV
						A