

PLEASE CHECK WWW.MOLEX.COM FOR LATEST PART INFORMATION

Part Number: [0399900310](#)
Status: **Active**
Description: 5.00mm (.197") Pitch Beau™ Eurostyle™ Screw Clamp Plug, 10 Circuits

Documents:

[Drawing \(PDF\)](#) [RoHS Certificate of Compliance \(PDF\)](#)

Agency Certification

UL E48521

General

Product Family	Terminal Blocks
Series	39990
Application	Wire-to-Board
Comments	Gold plating available
Component Type	Plug
Product Literature Order No	USA-267
Product Name	Eurostyle™ Pluggable
Type	Euro Block

Physical

Circuits (Loaded)	10
Color - Resin	Black
Entry Angle	Horizontal
Flammability	94V-0
Lock to Mating Part	Yes
Material - Metal	Brass
Material - Resin	Nylon
Number of Rows	1
Orientation	Vertical
PCB Retention	N/A
Panel Mount	No
Pitch - Mating Interface (in)	0.197 In
Pitch - Mating Interface (mm)	5.00 mm
Pitch - Term. Interface (in)	0.197 In
Pitch - Term. Interface (mm)	5.00 mm
Polarized to Mating Part	Yes
Shrouded	Fully
Stackable	No
Surface Mount Compatible (SMC)	No
Temperature Range - Operating	110°C
Termination Interface: Style	Surface Mount
Wire Size AWG	12, 14, 16, 18, 20, 22, 24

Electrical

Current - Maximum per Contact	10A
Voltage - Maximum	300V

Material Info

Old Part Number 990910

Reference - Drawing Numbers

Sales Drawing SD-39990-001

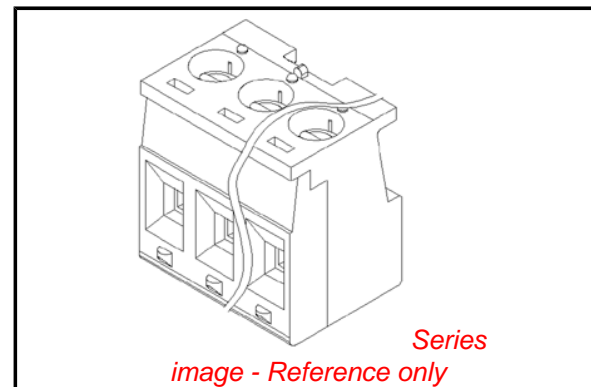


image - Reference only

EU RoHS

RoHS Compliant by Exemption

REACH SVHC

Not Reviewed

Halogen-Free

Status

Not Reviewed

China RoHS



Pb

Need more information on product environmental compliance?

Email productcompliance@molex.com
 For a multiple part number RoHS Certificate of Compliance, [click here](#)

Please visit the [Contact Us](#) section for any non-product compliance questions.

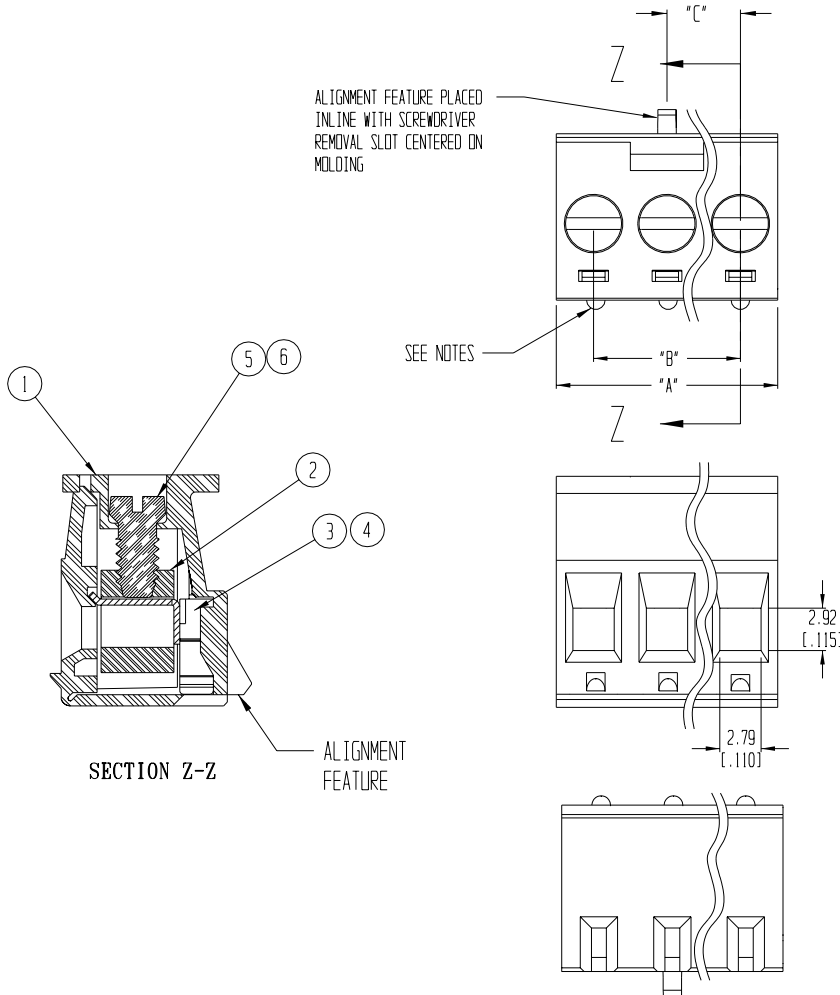
Search Parts in this Series

[39990Series](#)

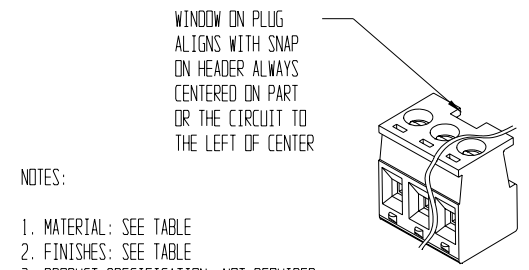
Mates With

[39990-0410](#)

PLEASE CHECK WWW.MOLEX.COM FOR LATEST PART INFORMATION



ASSEMBLY MATERIAL NO. (STANDARD)	ASSEMBLY MATERIAL NO. (-G30 OPTION)	NUMBER OF CIRCUITS "XX"	DIM. "A"	DIM. "B"	DIM. "C"
399900302	399910302	02	10.8 [.42]	5.00 [.197]	5.00 [.197]
399900303	399910303	03	15.8 [.62]	10.01 [.394]	10.01 [.394]
399900304	399910304	04	20.8 [.82]	15.01 [.591]	10.01 [.394]
399900305	399910305	05	25.8 [1.02]	20.02 [.788]	10.01 [.394]
399900306	399910306	06	30.8 [1.21]	25.02 [.985]	15.01 [.591]
399900307	399910307	07	35.8 [1.41]	30.02 [1.182]	15.01 [.591]
399900308	399910308	08	40.8 [1.61]	35.03 [1.379]	20.02 [.788]
399900309	399910309	09	45.8 [1.80]	40.03 [1.576]	20.02 [.788]
399900310	399910310	10	50.8 [2.00]	45.03 [1.773]	25.02 [.985]
399900311	399910311	11	55.8 [2.20]	50.04 [1.970]	25.02 [.985]
399900312	399910312	12	60.8 [2.39]	55.04 [2.167]	30.02 [1.182]
399900313	399910313	13	65.8 [2.59]	60.05 [2.364]	30.02 [1.182]
399900314	399910314	14	70.8 [2.79]	65.05 [2.561]	35.03 [1.379]
399900315	399910315	15	75.8 [2.99]	70.05 [2.758]	35.03 [1.379]
399900316	399910316	16	80.8 [3.18]	75.06 [2.955]	40.03 [1.576]
399900317	399910317	17	85.8 [3.38]	80.06 [3.152]	40.03 [1.576]
399900318	399910318	18	90.8 [3.58]	85.06 [3.349]	45.03 [1.773]



- NOTES:
1. MATERIAL: SEE TABLE
 2. FINISHES: SEE TABLE
 3. PRODUCT SPECIFICATION: NOT REQUIRED
 4. PACKAGING: NOT REQUIRED
 5. MATES WITH: 99 SERIES HEADER
 6. INCH DIMS ARE SHOWN IN BRACKETS [XXX]
 7. "XX" REFERS TO THE QTY. OF CIRCUITS
 8. SNAP FEATURES
 - 2 CIRCUIT: 2 SNAPS
 - 3-24 CIRCUIT: 3 SNAPS
 LOCATED ON ENDS AND ALIGNED WITH SCREWDRIVER REMOVAL SLOT

ITEM	QTY.	DESCRIPTION	MATERIAL	FINISH
6	XX	SCREW, M3 X 0.5 X 5.08 (-G30 OPTION)	PHOSPHOR BRONZE	TIN PLATE
5	XX	SCREW, M3 X 0.5 X 5.08 (STANDARD)	STEEL	ZINC CHROMATE
4	XX	TERMINAL (-G30 OPTION)	PHOSPHOR BRONZE	GOLD PLATE
3	XX	TERMINAL (STANDARD)	PHOSPHOR BRONZE	TIN PLATE
2	XX	PRESSURE CLAMP	BRASS	NICKEL PLATE
1	1	MOLDING	POLYAMIDE	BLACK

EC NO. RELEASED DRAWN: CLY CH K: APPR: A	DESCRIPTION MAJOR CRITICAL SPC S	GENERAL TOLERANCES: (UNLESS SPECIFIED)		SCALE 3:1	DESIGN UNITS <input type="checkbox"/> mm <input checked="" type="checkbox"/> INCH	THIRD ANGLE PROJECTION	PROJECT NO. - - - DIMENSIONS: <input checked="" type="checkbox"/> mm <input type="checkbox"/> INCH <input type="checkbox"/> mm ONLY	SHT REV
		4 PLACES ±.0015 3 PLACES ±.038 ±.005 2 PLACES ±.13 ±.01 1 PLACE ±.3	DRAWN BY & DATE C. YORK 08-12-03	TITLE: SINGLE ROW EUROSTYLE PLUG ASSEMBLY 5.00mm [.197]		MOLEX INCORPORATED	CAD FILENAME 9909XX01	MATERIAL NO. SEE CHART
DRAFT WHERE APPLICABLE MUST REMAIN WITHIN DIMENSIONS				THIS DRAWING CONTAINS INFORMATION THAT IS PROPRIETARY TO MOLEX INCORPORATED AND SHOULD NOT BE USED WITHOUT WRITTEN PERMISSION.				SHEET B