

**PLEASE CHECK WWW.MOLEX.COM FOR LATEST PART INFORMATION**

**Part Number:** [0743206600](#)  
**Status:** **Active**  
**Overview:** [microcross\\_dvi](#)  
**Description:** MicroCross™ DVI-I Digital/Analog Visual Interface, PCB Receptacle, PanelMount, Through Hole, Vertical, Gold (Au) Flash, 2.79mm (.110") P.C. TailLength, 28 Circuits, Lead Free

**Documents:**

[Drawing \(PDF\)](#) [RoHS Certificate of Compliance \(PDF\)](#)  
[Product Specification PS-74320-001 \(PDF\)](#)

**Agency Certification**

UL E29179

**General**

Product Family I/O Connectors  
 Series [74320](#)  
 Application Wire-to-Board  
 Comments DDWG (Digital Display Working Group) Standard  
 Component Type Receptacle  
 Overview [microcross\\_dvi](#)  
 Product Name MicroCross™DVI  
 Type N/A

**Physical**

Boot Color N/A  
 Circuits (Loaded) 28  
 Circuits (maximum) 28  
 Color - Resin Natural  
 Durability (mating cycles max) 100  
 Flammability 94V-0  
 Gender Receptacle  
 Keying to Mating Part Yes  
 Lock to Mating Part Yes  
 Material - Metal Copper Alloy  
 Material - Plating Mating Gold  
 Material - Plating Termination Tin  
 Number of Rows 3  
 Orientation Vertical  
 PC Tail Length (in) 0.110 In  
 PC Tail Length (mm) 2.79 mm  
 PCB Locator Yes  
 PCB Retention Yes  
 Packaging Type Tray  
 Panel Mount Yes  
 Pitch - Mating Interface (in) 0.075 In  
 Pitch - Mating Interface (mm) 1.91 mm  
 Pitch - Term. Interface (in) 0.075 In  
 Pitch - Term. Interface (mm) 1.91 mm  
 Plating min: Mating (µin) 2  
 Plating min: Mating (µm) 0.05  
 Plating min: Termination (µin) 100  
 Plating min: Termination (µm) 2.50  
 Polarized to Mating Part Yes  
 Polarized to PCB Yes  
 Ports 1

**EU RoHS**

**ELV and RoHS Compliant**  
**REACH SVHC Contains SVHC: No**  
**Halogen-Free Status**

**China RoHS**



**Not Reviewed**

**Need more information on product environmental compliance?**

Email [productcompliance@molex.com](mailto:productcompliance@molex.com)  
 For a multiple part number RoHS Certificate of Compliance, [click here](#)

Please visit the [Contact Us](#) section for any non-product compliance questions.

**Search Parts in this Series**

[74320Series](#)

**Mates With**

[88744](#) , [74323](#)

Surface Mount Compatible (SMC)	No
Temperature Range - Operating	-20°C to +85°C
Termination Interface: Style	Through Hole
Waterproof / Dustproof	No
Wire Size AWG	N/A

### **Electrical**

Current - Maximum per Contact	3A
Grounding to Panel	Yes
Shield Type	Full Shield
Shielded	Yes
Voltage - Maximum	40V AC (RMS)

### **Material Info**

#### **Reference - Drawing Numbers**

Packaging Specification	PK-74320-005, PK-74320-010
Product Specification	PS-74320-001
Sales Drawing	SD-74320-010

This document was generated on 06/08/2010

**PLEASE CHECK [WWW.MOLEX.COM](http://WWW.MOLEX.COM) FOR LATEST PART INFORMATION**

NOTES:

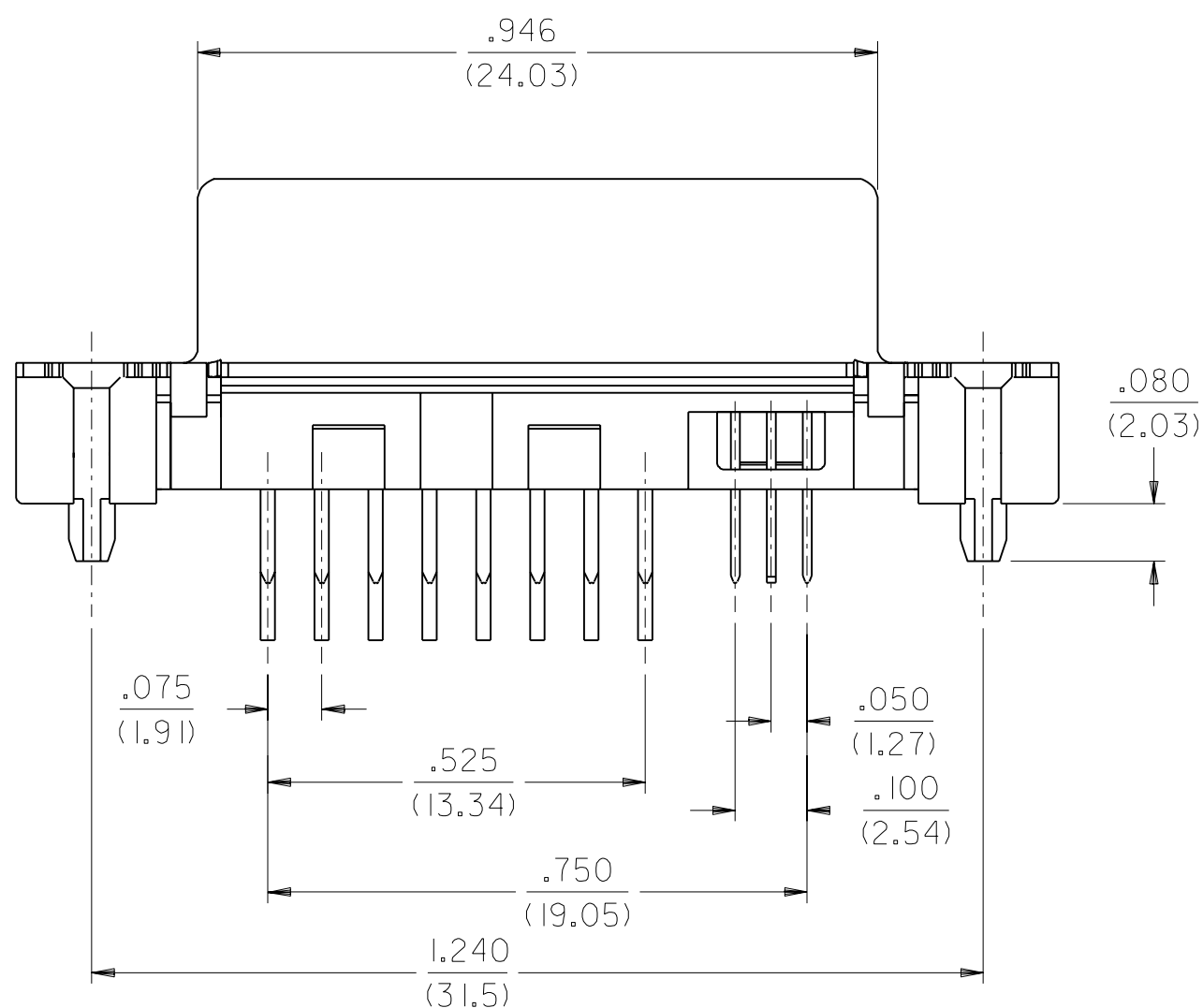
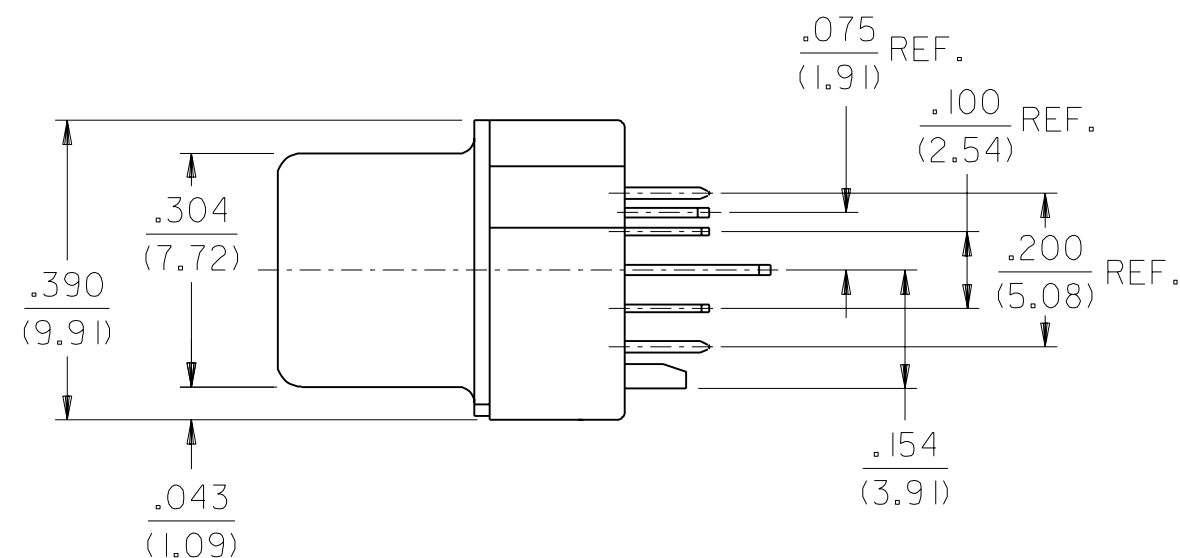
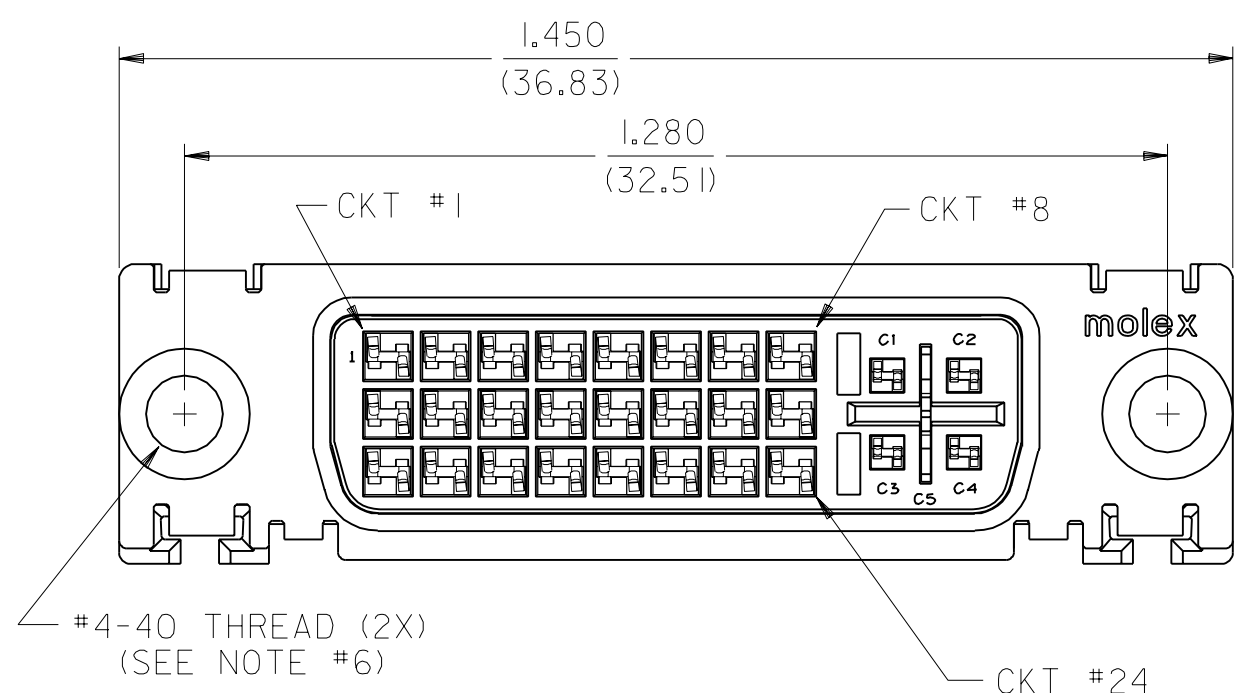
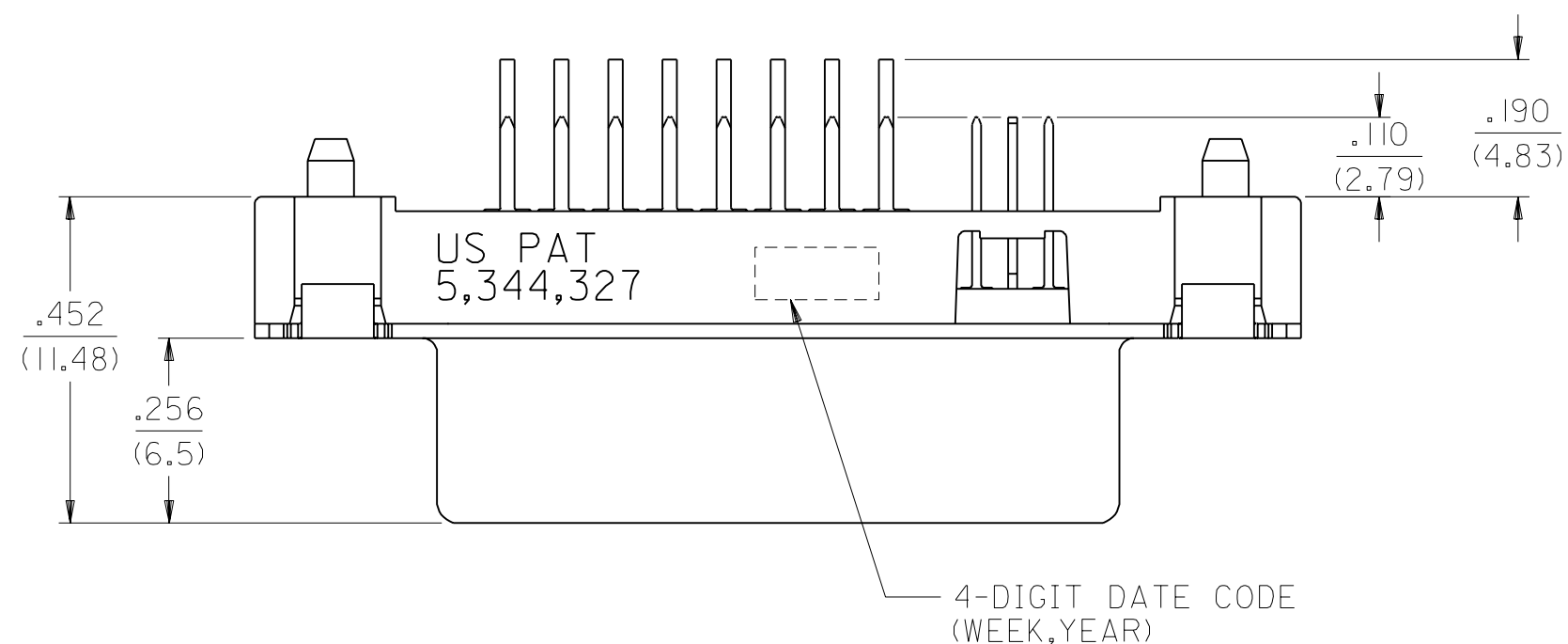
1. MATERIALS: SHIELD -- DEEP DRAW STEEL.  
HOUSING -- GLASS FILLED POLYMER, NATURAL (WHITE), UL 94v-0.  
CONTACTS -- COPPER ALLOY.  
MICROCROSS GROUND -- COPPER ALLOY.
2. PLATING: OUTER SHIELD -- 150u"/(3.75um) MIN. BRIGHT TIN OVER  
50u"/(1.27um) MIN. NICKEL OVER COPPER FLASH.

.075"/(1.91mm) CONTACTS -- SELECT GOLD FLASH AND  
100u"/(2.50um) MIN. SELECT PURE TIN  
OVER 50u"/(1.27um) MIN. NICKEL OVERALL.

.100"/(2.54mm) CONTACTS -- SELECT GOLD FLASH AND  
100u"/(2.50um) SELECT PURE TIN  
OVER 50u"/(1.27um) MIN. NICKEL OVERALL.

MICROCROSS GROUND -- 30u"/(0.75um) MIN. SELECT GOLD AND  
100u"/(2.50um) SELECT PURE TIN  
OVER 50u"/(1.27um) MIN. NICKEL OVERALL.

3. PRODUCT CONFORMS TO MOLEX PRODUCT SPECIFICATION NUMBER PS-74320-001.
4. PARTS WILL BE PACKAGED IN TRAYS PER PK-74320-010.
5. PRODUCT CONFORMS TO DDWG DVI SPECIFICATION. REFER TO THIS SPECIFICATION FOR CONNECTOR MATING DIMENSIONS.
6. REFER TO PRODUCT SPECIFICATION NUMBER PS-74320-001 FOR THE APPLICATION TORQUE REQUIREMENT.



MODIFICATION EC NO. SH2004-0130 DRWN: DXUE 04/03/05 CHK: HARVEY 04/03/11 APPR: SHUANG 04/03/12	QUALITY SYMBOLS MAJOR $\nabla=0$ CRITICAL $\nabla_c=0$	GENERAL TOLERANCES: (UNLESS SPECIFIED)	SCALE 4 : 1 DESIGN UNITS <input type="checkbox"/> mm <input checked="" type="checkbox"/> INCH	THIRD ANGLE PROJECTION	DIMENSIONS: <input type="checkbox"/> INCH ONLY <input checked="" type="checkbox"/> mm <input type="checkbox"/> INCH <input type="checkbox"/> mm ONLY	SHT REV
	DESCRIPTION	4 PLACES $\pm 0.$ $\pm .$ 3 PLACES $\pm 0.$ $\pm .010$ 2 PLACES $\pm 0.25$ $\pm .010$ 1 PLACE $\pm 0.25$ $\pm .010$	DRAWN BY & DATE SCHMIDGA 00/10/12	TITLE: DVI - I VERTICAL RECEPTACLE ASSEMBLY FOR ADAPTER		
	REV	ANGULAR: $\pm 1/2^\circ$	CHECKED BY & DATE TMCCLELL 00/10/13	MOLEX INCORPORATED		
	DRAFT WHERE APPLICABLE MUST REMAIN WITHIN DIMENSIONS	CAD FILENAME SD7432010.S01	APPROVED BY & DATE NELSON 00/10/16	MATERIAL NO. 74320-6600	DRAWING NO. SD-74320-010	SHEET NO. 1 OF 1

THIS DRAWING CONTAINS INFORMATION THAT IS PROPRIETARY TO MOLEX INCORPORATED AND SHOULD NOT BE USED WITHOUT WRITTEN PERMISSION.

SIZE C