

PLEASE CHECK WWW.MOLEX.COM FOR LATEST PART INFORMATION

Part Number: [0743209054](#)

Status: **Active**

Description: MicroCross™ DVI-D Digital Interface, Panel Mount, Through Hole, Right Angle, Gold (Au) Flash, Polyester (PBT), with Hex Jack Screw, 2.34mm(.092") P.C. Tail Length, 24 Circuits, Lead Free

Documents:

[Drawing \(PDF\)](#)

[RoHS Certificate of Compliance \(PDF\)](#)

Agency Certification

UL E29179

General

Product Family	I/O Connectors
Series	74320
Application	Wire-to-Board
Comments	DDWG (Digital Display Working Group) Standard
Component Type	Receptacle
Product Name	MicroCross™DVI
Type	N/A

Physical

Boot Color	N/A
Circuits (Loaded)	24
Circuits (maximum)	24
Color - Resin	Natural
Durability (mating cycles max)	100
Flammability	94V-0
Gender	Receptacle
Keying to Mating Part	Yes
Lock to Mating Part	Yes
Material - Metal	Copper Alloy
Material - Plating Mating	Gold
Material - Plating Termination	Tin
Number of Rows	3
Orientation	Right Angle
PC Tail Length (in)	0.092 In
PC Tail Length (mm)	2.34 mm
PCB Locator	Yes
PCB Retention	Yes
Packaging Type	Tray
Panel Mount	Yes
Pitch - Mating Interface (in)	0.075 In
Pitch - Mating Interface (mm)	1.91 mm
Pitch - Term. Interface (in)	0.075 In
Pitch - Term. Interface (mm)	1.91 mm
Plating min: Mating (µin)	2, 30
Plating min: Mating (µm)	0.05, 0.75
Plating min: Termination (µin)	100
Plating min: Termination (µm)	2.50
Polarized to Mating Part	Yes
Polarized to PCB	Yes
Ports	1
Surface Mount Compatible (SMC)	No
Temperature Range - Operating	-20°C to +85°C
Termination Interface: Style	Through Hole

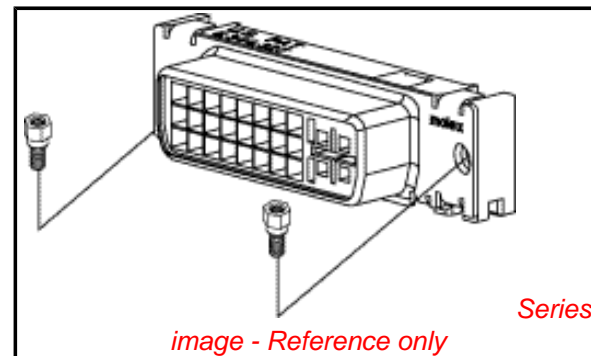


image - Reference only

EU RoHS

**ELV and RoHS
Compliant**
REACH SVHC
Not Reviewed
**Halogen-Free
Status**
Not Reviewed

China RoHS



**Need more information on product
environmental compliance?**

Email productcompliance@molex.com
For a multiple part number RoHS Certificate of
Compliance, [click here](#)

Please visit the [Contact Us](#) section for any
non-product compliance questions.

Search Parts in this Series

[74320Series](#)

Mates With

[88744](#) , [74323](#)

Waterproof / Dustproof
Wire Size AWG

No
N/A

Electrical

Current - Maximum per Contact
Grounding to Panel
Shield Type
Shielded
Voltage - Maximum

3A
Yes
Full Shield
Yes
40V AC (RMS)

Material Info

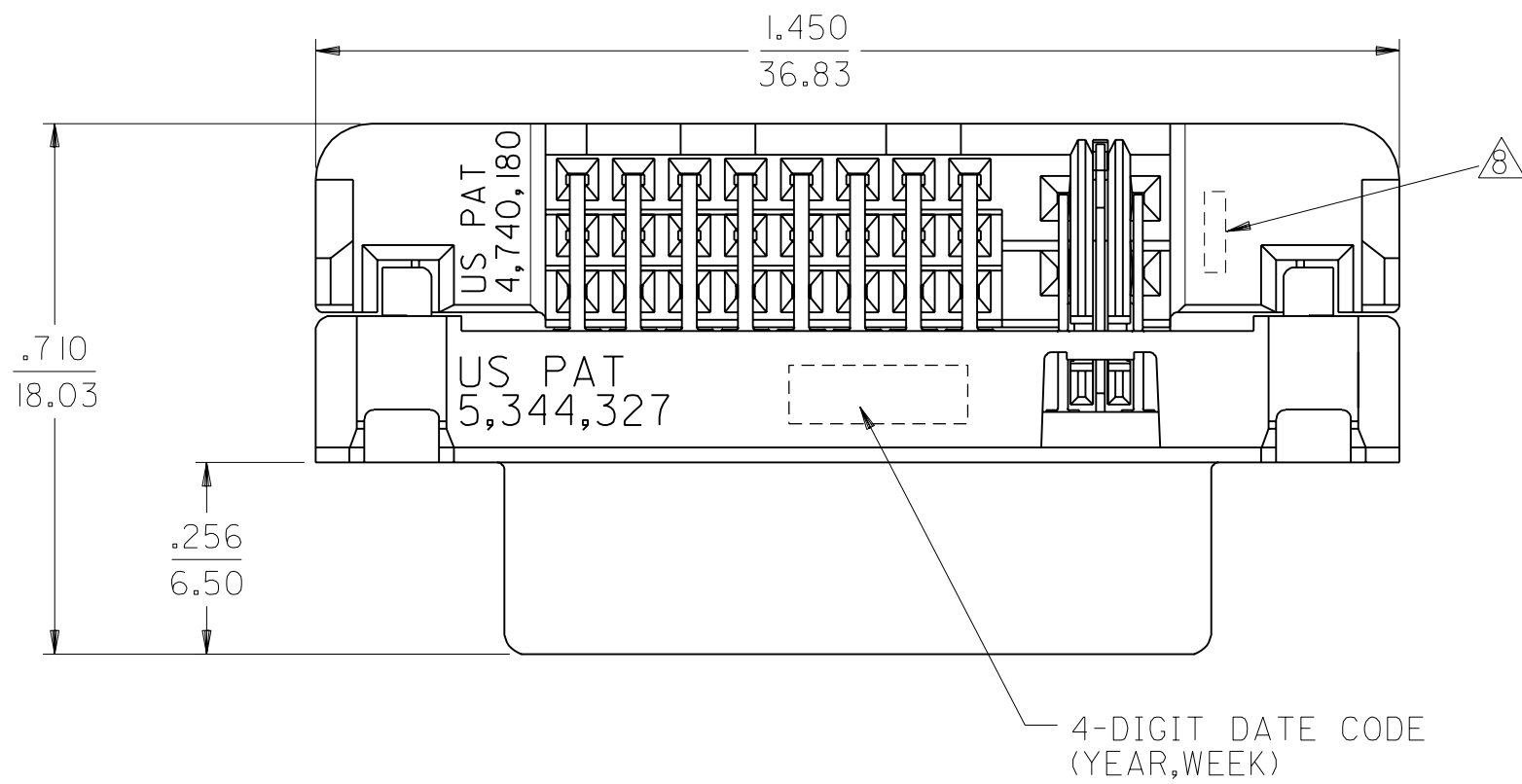
Reference - Drawing Numbers

Packaging Specification
Sales Drawing

PK-74320-009, PK-74320-010
SD-74320-035

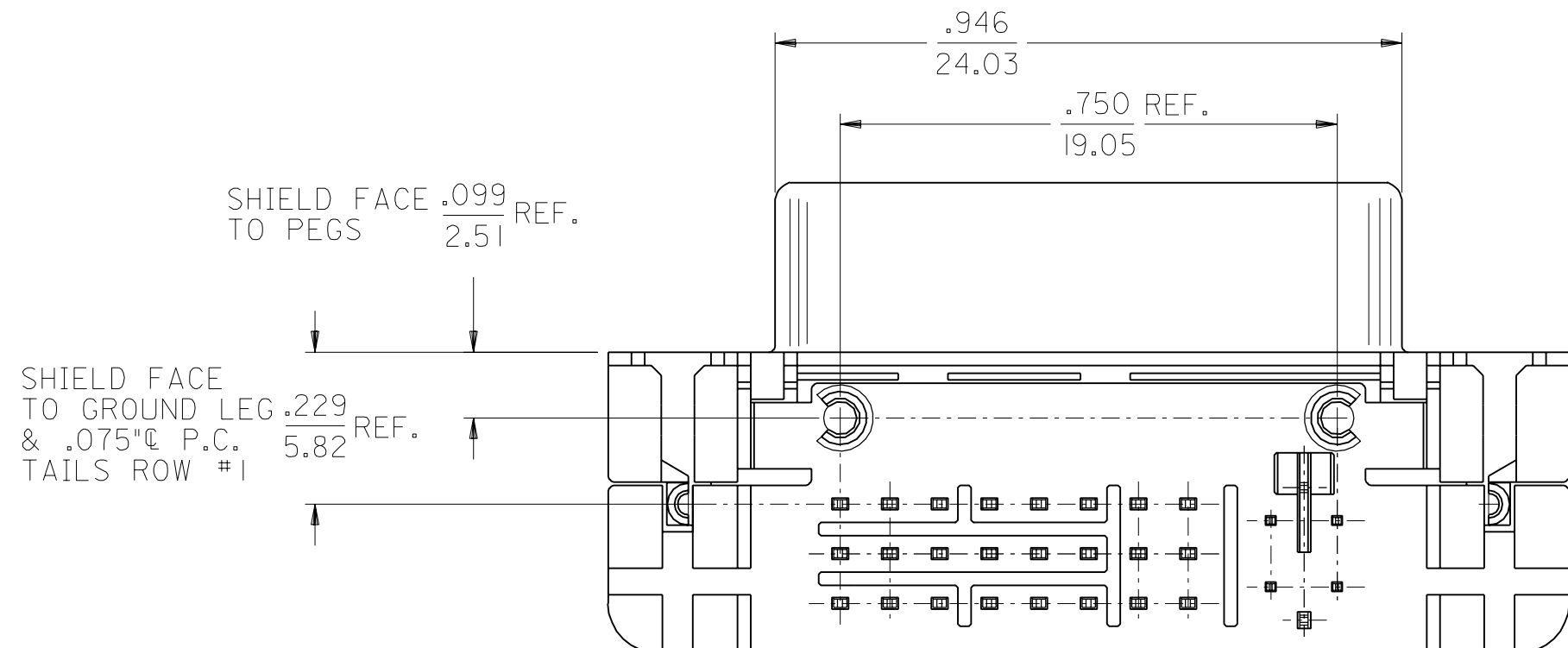
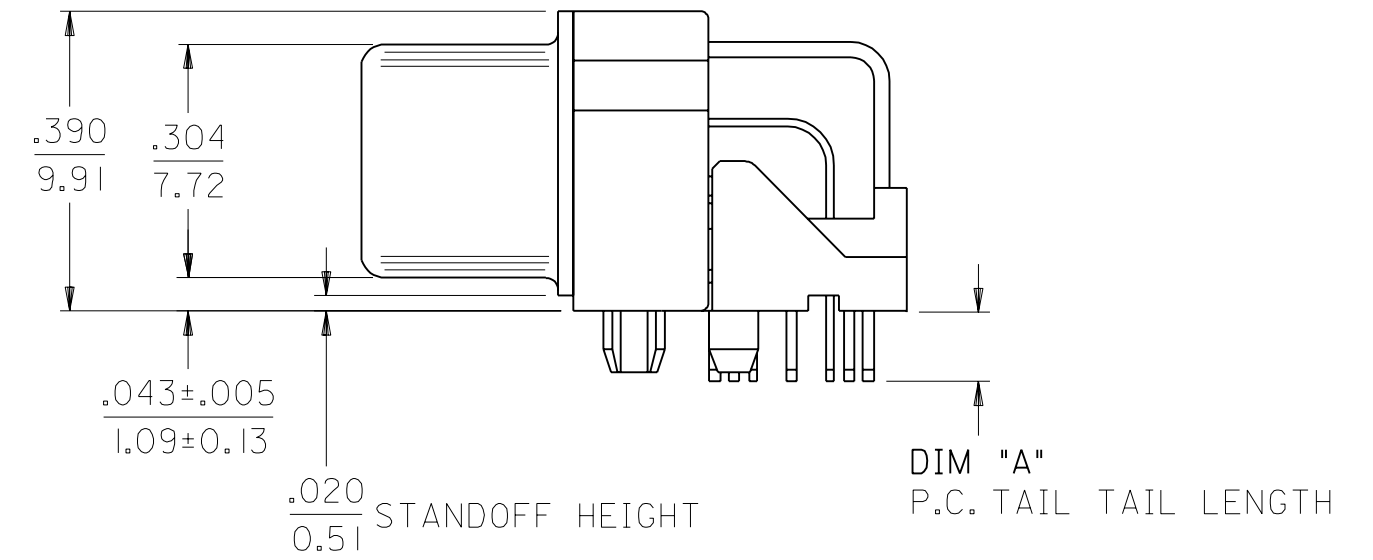
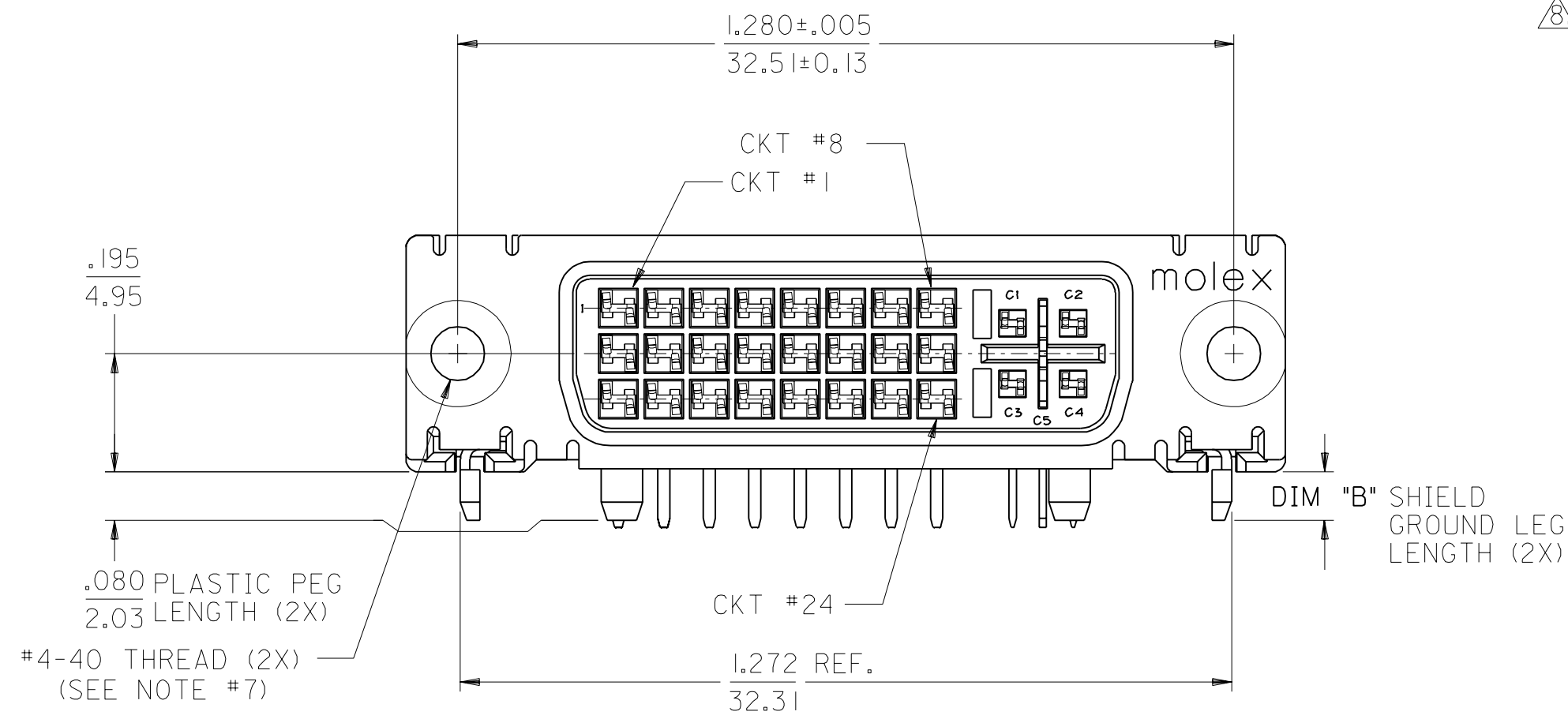
This document was generated on 05/10/2010

PLEASE CHECK WWW.MOLEX.COM FOR LATEST PART INFORMATION



NOTES:

1. MATERIALS:
SHIELD -- DEEP DRAW STEEL.
HOUSING -- GLASS FILLED POLYMER, NATURAL (WHITE), UL 94v-0.
TAIL ALIGNER -- GLASS FILLED POLYMER, NATURAL (WHITE), UL 94v-0.
CONTACTS -- COPPER ALLOY.
MICROCROSS GROUND -- COPPER ALLOY.
 2. PLATING: SEE SHEET 2
 3. PRODUCT CONFORMS TO MOLEX PRODUCT SPECIFICATION NUMBER PS-74320-001. REFER TO THIS SPECIFICATION FOR SPACING ON A P.C.B. OF TWO OR MORE CONNECTORS WHEN USING A CABLE OR AN ADAPTER ASSEMBLY.
 4. SEE SHEET 2 FOR RECOMMENDED PANEL CUT-OUT AND P.C.B. LAYOUT.
 5. PRODUCT CONFORMS TO DDWG DVI SPECIFICATION. REFER TO THIS SPECIFICATION FOR CONNECTOR MATING DIMENSIONS.
 6. REFER TO PRODUCT SPECIFICATION NUMBER PS-74320-001 FOR THE APPLICATION TORQUE REQUIREMENT FOR ASSEMBLING MOUNTING HARDWARE.
 7. PACKAGING INFORMATION REFER TO PK-74320-009.
- ⚠ CAVITY NO. AND MANUFACTURING PLANT CODE.



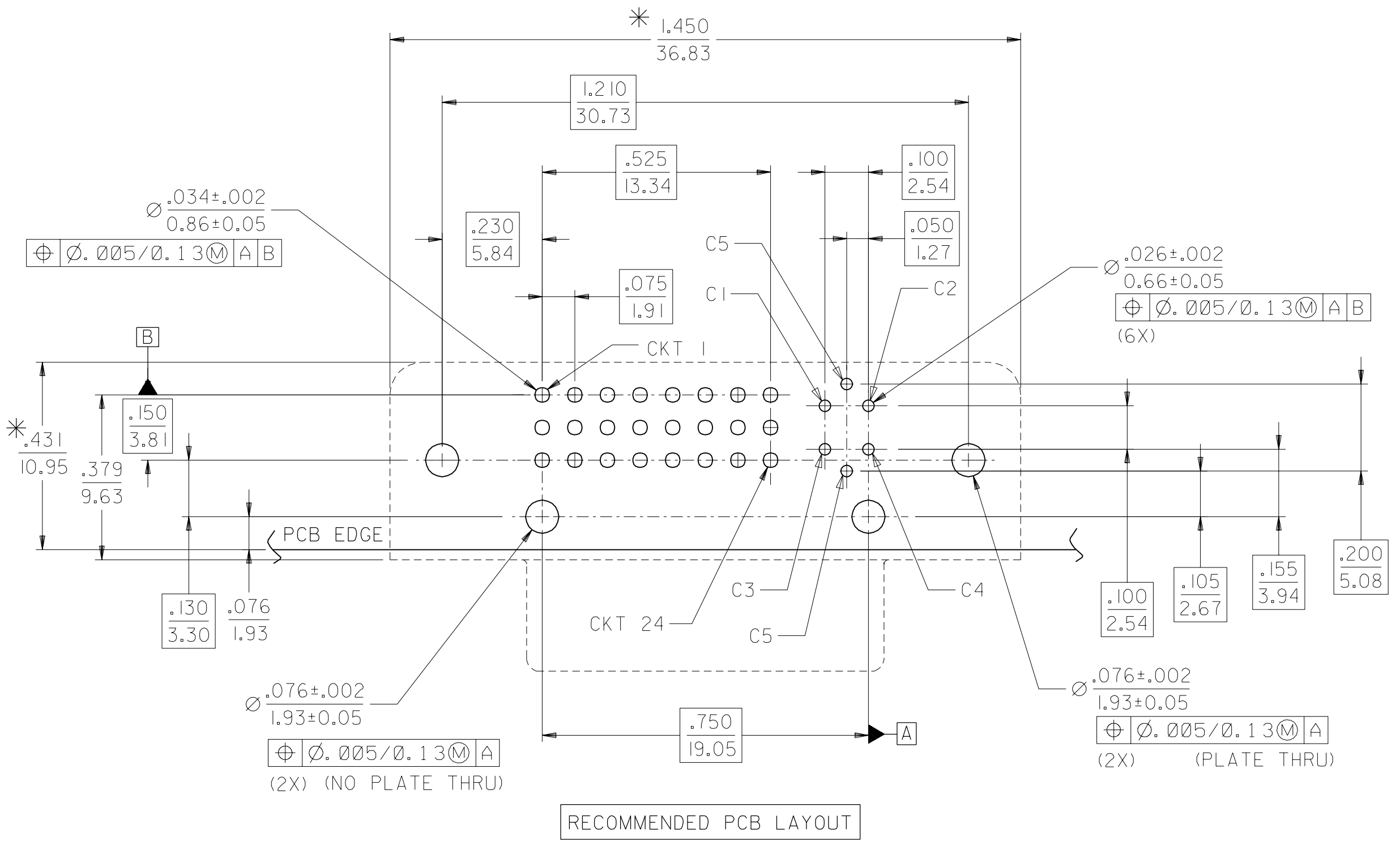
PART NUMBER	CONNECTOR	PLATING OPTION	DIM "A"	DIM "B"	HEX JACK SCREW
74320-9050	74320-1000	1	.092/2.34	.080±.020	82007-0300
74320-9051	74320-1001	1	.050/1.27	2.03±0.51	
74320-9053	74320-1003	1	.123/3.12	.110/2.79	
74320-9054	74320-1004	2	.092/2.34	.080±.020	
74320-9055	74320-1005	2	.050/1.27	2.03±0.51	
74320-9056	74320-1006	2	.110/2.79	.110/2.79	
74320-9057	74320-1007	2	.123/3.12	.110/2.79	

MODIFICATION	QUALITY SYMBOLS
EC NO. SH2004-0130	MAJOR = 0
DRWN:DXUE 04/03/05	CRITICAL = 0
CHK: HARVEY 04/03/11	
APPR: SHUANG 04/03/12	
REV	DESCRIPTION
C	

GENERAL TOLERANCES: (UNLESS SPECIFIED)	SCALE 4 : 1	DESIGN UNITS
4 PLACES ±0.10	mm	mm
3 PLACES ±0.15	INCH	INCH
2 PLACES ±0.25		
1 PLACE ±0.25		
ANGULAR: ± 1/2°		
DRAFT WHERE APPLICABLE MUST REMAIN WITHIN DIMENSIONS		

THIRD ANGLE PROJECTION	DRAWN BY & DATE
	Allen Lin '01/10/12
	CHECKED BY & DATE
	VLIN '01/10/12
	APPROVED BY & DATE
	ELAN '01/10/12
	CAD FILENAME
	S7432035.S01

TITLE:	DIMENSIONS:	SHT	REV
DVI - INTEGRATED RIGHT ANGLE REC. CONN. ADD HEX JACK SCREW	mm INCH mm ONLY		REVISE ON CAD ONLY
MOLEX INCORPORATED			
MATERIAL NO.	DRAWING NO.	SHEET NO.	
SEE CHART	SD-74320-035	1 OF 2	
THIS DRAWING CONTAINS INFORMATION THAT IS PROPRIETARY TO MOLEX INCORPORATED AND SHOULD NOT BE USED WITHOUT WRITTEN PERMISSION.			
SIZE C			

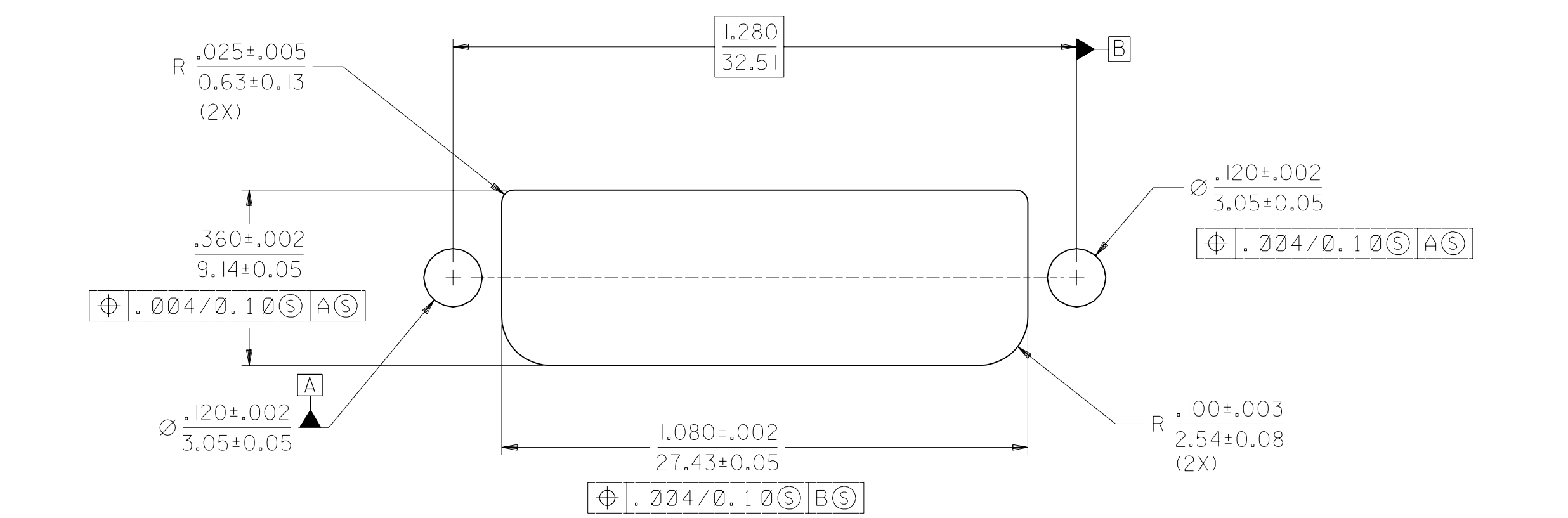


*THESE DIMENSIONS REPRESENT CONNECTOR OVERLAY ON PCB.

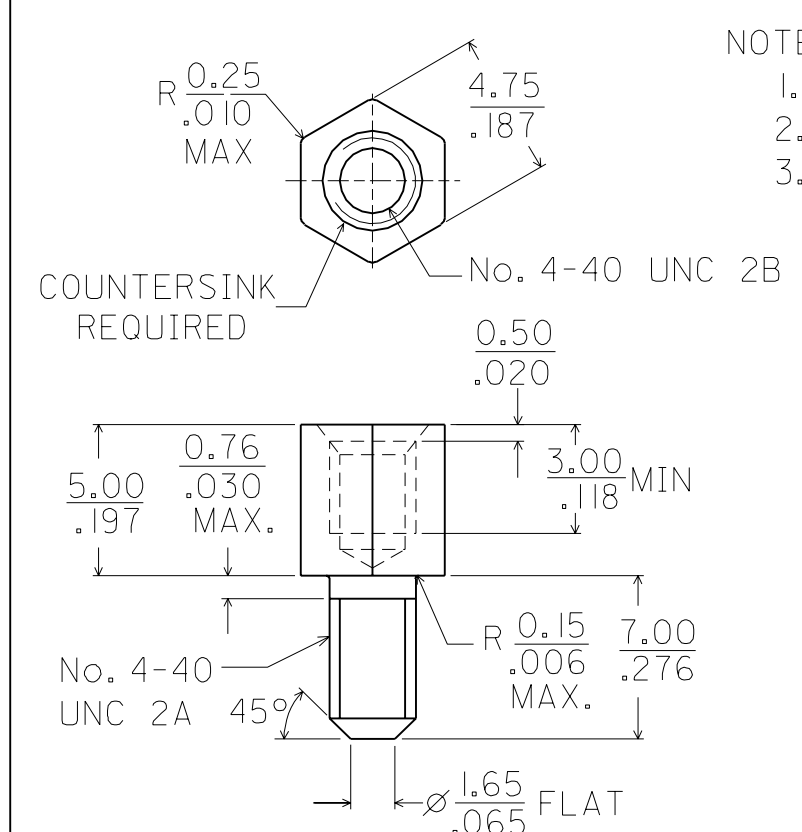
PLATING OPTIONS:

PLATING OPTION #1:

OUTER SHIELD -- 150u\"/>



RECOMMENDED PANEL CUT-OUT
 PANEL THICKNESS: .030" - .040"



NOTES :

- MATERIAL : BRASS ALLOY
- PLATING : NICKEL, 1.9um/75u" MIN.
- DIMENSIONS: mm INCH

MODIFICATION EC NO. SH2004-0130 DRWN: DXUE 04/03/05 CHK: HARVEY 04/03/11 APPR: SHUANG 04/03/12	QUALITY SYMBOLS MAJOR = 0 CRITICAL = 0	GENERAL TOLERANCES: (UNLESS SPECIFIED)		SCALE 4 : 1	DESIGN UNITS <input type="checkbox"/> mm <input checked="" type="checkbox"/> INCH	THIRD ANGLE PROJECTION	DIMENSIONS: <input type="checkbox"/> mm ONLY <input checked="" type="checkbox"/> INCH ONLY	SHT REV
		4 PLACES ±0.	mm INCH	DRAWN BY & DATE Allen Lin '01/10/12	TITLE: DVI - INTEGRATED RIGHT ANGLE REC. CONN. ADD HEX JACK SCREW			REVISE ON CAD ONLY
		3 PLACES ±0.	±0.10	CHECKED BY & DATE VLIN '01/10/12	MOLEX INCORPORATED			SHEET NO. 2
		2 PLACES ±0.25	±0.10	APPROVED BY & DATE ELAN '01/10/12	CAD FILENAME S7432035.S02	MATERIAL NO. SEE CHART	DRAWING NO. SD-74320-035	SIZE C