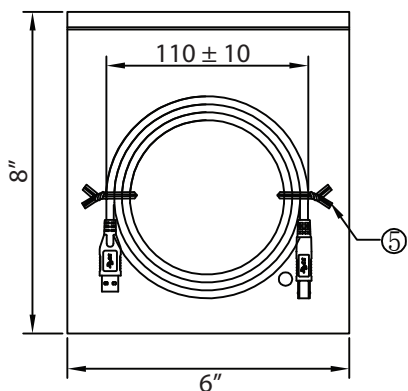
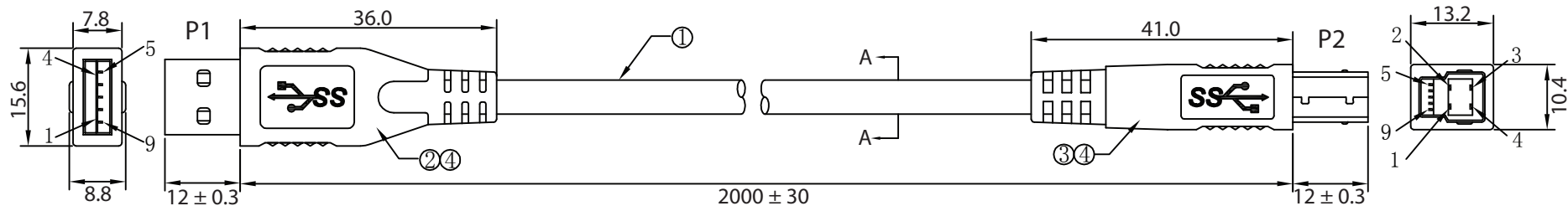


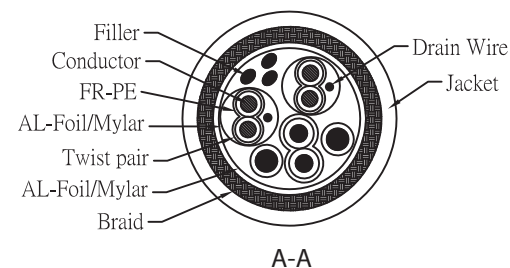
THESE DRAWINGS ARE THE PROPERTY OF QUALTEK ELECTRONICS AND NOT TO BE REPRODUCED FOR OR COMMUNICATED TO A THIRD PARTY WITHOUT THE EXPRESS WRITTEN PERMISSION OF AN OFFICER OF QUALTEK ELECTRONICS.

| REVISION | | | |
|----------|-------------|------|----------|
| REV. | DESCRIPTION | DATE | APPROVED |
| | | | |
| | | | |
| | | | |



WIRING:

| P1 | COLOR | P2 |
|--------------|--------|--------------|
| VBUS 1 | RED | 1 VBUS |
| D- 2 | WHITE | 2 D- |
| D+ 3 | GREEN | 3 D+ |
| GND 4 | BLACK | 4 GND |
| StdA_SSRX- 5 | BLUE | 5 StdA_SSTX- |
| StdA_SSRX+ 6 | YELLOW | 6 StdA_SSTX+ |
| GND_DRAIN 7 | DRAIN | 7 GND_DRAIN |
| StdA_SSTX- 8 | PURPLE | 8 StdA_SSRX- |
| StdA_SSTX+ 9 | ORANGE | 9 StdA_SSRX+ |
| SHIELD | BRAID | SHIELD |



CONTROLLED

| No. | PARTS NAME | SPECIFICATION STANDARD | QTY | REMARKS |
|-----|-----------------------------|---|-----|---------|
| ① | CABLE | UL 20276 O.D. 5.5mm COLOR: BLACK | 1 | |
| ② | USB3.0 A M 9PIN GOLD PLATED | 30U" SHELL NICKEL PLATED INSULATOR BLUE | 1 | |
| ③ | USB3.0 B M 9PIN GOLD PLATED | 30U" SHELL NICKEL PLATED INSULATOR BLUE | 1 | |
| ④ | PVC | 45P PVC BLACK | 14 | g |
| ⑤ | CABLE TIE | L=9cm COLOR: BLACK | 2 | |

NOTES:

- CABLE: UL20276
(1Px30AWG+D+AL+MY)x2C+1Px30AWG+2Cx24AWG+AL+B
OUTER JACKET: BLACK, O.D.: 5.5mm
- CONNECTORS: USB 3.0 A MALE TO USB 3.0 B MALE
- HOOD: MOLDED TYPE, COLOR: BLACK
- PACKING: 1PC/POLYBAG
- RoHS COMPLIANT

| Dim range (mm) | Tolerance +/- (mm) | Qualtek Electronics Corp. WCI DIVISION | | |
|----------------|--------------------|---|----------------|-----------------|
| | | Part Number: | 3023015-02M | RoHS Compliant |
| 0-1 | 0.15 | Description: USB 3.0 A/M - USB 3.0 B/M | | |
| 1-6 | 0.20 | UNIT: mm | | |
| 6-18 | 0.30 | UNIT: mm | | |
| 18-50 | 0.50 | UNIT: mm | | |
| 50-120 | 0.70 | Drawn / Date | Checked / Date | Approved / Date |
| 120-250 | 0.90 | R.Nuti 06-25-10 | 06-25-10 | LY / 06-25-10 |
| 250-500 | 1.20 | | | |