

PLEASE CHECK WWW.MOLEX.COM FOR LATEST PART INFORMATION

Part Number: [0006022030](#)
Status: **Active**
Overview: [flat blade](#)
Description: Flat Blade Appliance Water Valve Crimp Housing, 3 Circuit

Documents:

[3D Model](#) [RoHS Certificate of Compliance \(PDF\)](#)
[Drawing \(PDF\)](#)

Agency Certification

CSA LR19980
 UL E29179

General

Product Family Crimp Housings
 Series [42295](#)
 Overview [flat blade](#)
 Product Name Flat Blade

Physical

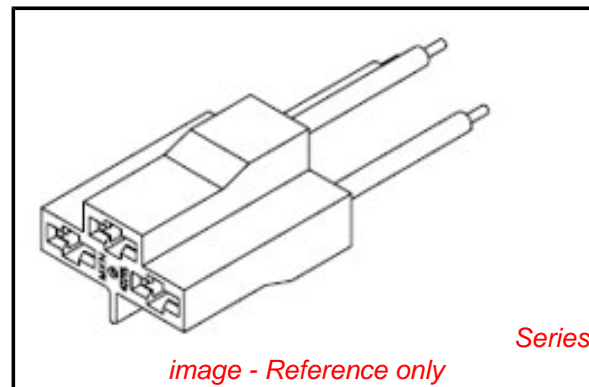
Circuits (maximum) 3
 Color - Resin Natural
 Flammability 94V-0
 Gender Female
 Glow-Wire Compliant No
 Keying to Mating Part Yes
 Lock to Mating Part None
 Material - Resin Nylon
 Number of Rows 2
 Packaging Type Bag
 Panel Mount No
 Pitch - Mating Interface (in) 0.297 In
 Pitch - Mating Interface (mm) 7.54 mm
 Pitch - Term. Interface (in) 0.297 In
 Pitch - Term. Interface (mm) 7.54 mm
 Stackable No
 Temperature Range - Operating -40°C to +75°C

Material Info

Old Part Number 42295-1

Reference - Drawing Numbers

Sales Drawing SD-42295-1



EU RoHS

**ELV and RoHS
 Compliant**
**REACH SVHC
 Not Reviewed**
**Halogen-Free
 Status
 Not Reviewed**

China RoHS



**Need more information on product
 environmental compliance?**

Email productcompliance@molex.com
 For a multiple part number RoHS Certificate of
 Compliance, [click here](#)

Please visit the [Contact Us](#) section for any
 non-product compliance questions.

Search Parts in this Series

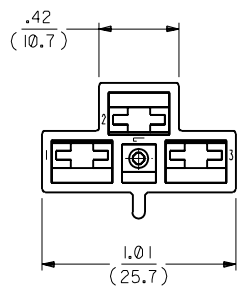
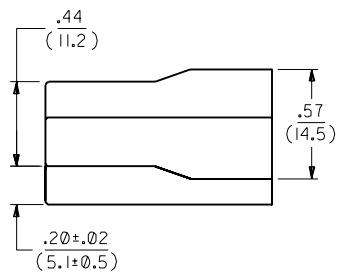
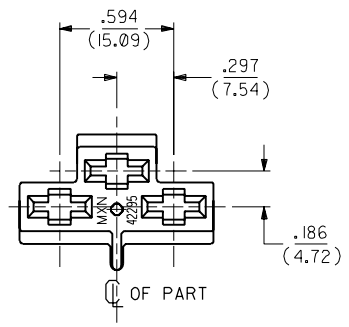
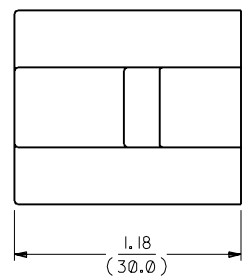
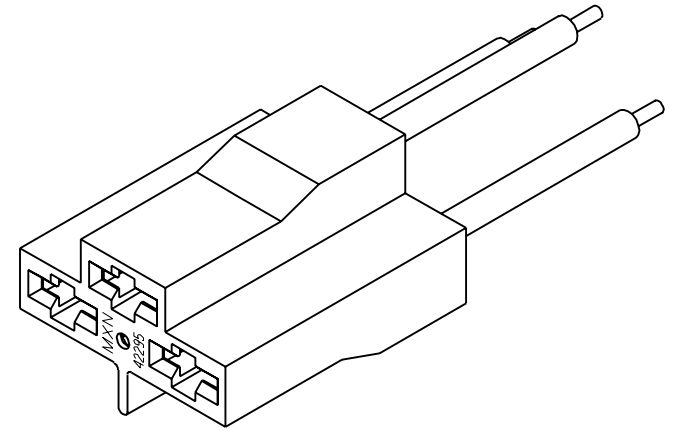
[42295Series](#)

Mates With

[Appliance Water Valve](#)

Use With

[41422](#)



NOTES :

- 1) MATERIAL : NYLON TYPE 6/6, 94V-2
COLOR : NATURAL (WHITE/TRANSLUCENT)
- 2) THIS HOUSING IS FOR USE WITH TERMINALS :
- ENG. NO. 41422-3* (3 PL)

IMPORTANT NOTE: IT IS THE INTENTION OF MOLEX, INCORPORATED TO OBTAIN PATENT PROTECTION FOR THE IDEA CONTAINED IN THIS DRAWING. ACCORDINGLY, THIS DRAWING CANNOT BE SHOWN TO ANY PARTY OUTSIDE OF MOLEX WITHOUT A SIGNED CONFIDENTIAL DISCLOSURE AGREEMENT.

C	REINSTATE P/N UCR2002-0406 COMERC 01/10/25
B	OBSOLETE P/N UCR2002-0255 COMERC 01/9/17
A	FINAL RELEASE PER ERO #27767 89/01/19 RK
3	DRAWING REVISED PER ERO #27182 09/14/88 RK
2	DRAWING REVISED PER ERO #26969 08/05/88 RK
1	X-RELEASE PER ERO #26919 07/27/88 RK

DIMENSIONS SHOWN (METRIC) INCH		REVISIONS																							
UNLESS OTHERWISE SPECIFIED TOLERANCES: ANGULAR ± 1/2°		MFG. SH.	REV. LTR.																						
TITLE		REVISE ONLY ON CAD SYSTEM																							
<table border="1"> <tr> <th>PLACE</th> <th>TOL.</th> <th>INCH</th> <th>METRIC</th> </tr> <tr> <td>3 PLACE</td> <td>± .005</td> <td>---</td> <td>---</td> </tr> <tr> <td>2 PLACE</td> <td>± .01</td> <td>± 0.13</td> <td>---</td> </tr> <tr> <td>1 PLACE</td> <td>---</td> <td>± 0.25</td> <td>---</td> </tr> </table>		PLACE	TOL.	INCH	METRIC	3 PLACE	± .005	---	---	2 PLACE	± .01	± 0.13	---	1 PLACE	---	± 0.25	---	<table border="1"> <tr> <td>MOLEX INCORPORATED</td> <td>SHEET NO.</td> <td>DATE</td> </tr> <tr> <td>L15LE.ILL. 60532</td> <td>U.S.A.</td> <td>1 OF 1 07/26/88</td> </tr> </table>		MOLEX INCORPORATED	SHEET NO.	DATE	L15LE.ILL. 60532	U.S.A.	1 OF 1 07/26/88
PLACE	TOL.	INCH	METRIC																						
3 PLACE	± .005	---	---																						
2 PLACE	± .01	± 0.13	---																						
1 PLACE	---	± 0.25	---																						
MOLEX INCORPORATED	SHEET NO.	DATE																							
L15LE.ILL. 60532	U.S.A.	1 OF 1 07/26/88																							
DRAFT WHERE APPLICABLE MUST REMAIN WITHIN DIMENSIONS		PART NO. DRWG. NO.																							
<table border="1"> <tr> <td>DRWG. BY: RK</td> <td>CHK'D. BY: GWF</td> <td>FILE NAME: H42295X1</td> <td>DIV.:</td> </tr> <tr> <td>APP'D. BY: GWF</td> <td>SCALE: 2 : 1</td> <td>142295X1</td> <td>CP</td> </tr> </table>		DRWG. BY: RK	CHK'D. BY: GWF	FILE NAME: H42295X1	DIV.:	APP'D. BY: GWF	SCALE: 2 : 1	142295X1	CP	<table border="1"> <tr> <td>06-02-2030</td> <td>SD-42295-1</td> </tr> </table>		06-02-2030	SD-42295-1												
DRWG. BY: RK	CHK'D. BY: GWF	FILE NAME: H42295X1	DIV.:																						
APP'D. BY: GWF	SCALE: 2 : 1	142295X1	CP																						
06-02-2030	SD-42295-1																								
THIS DRAWING CONTAINS INFORMATION THAT IS PROPRIETARY TO MOLEX INC. AND SHOULD NOT BE USED WITHOUT WRITTEN PERMISSION.																									