

**PLEASE CHECK WWW.MOLEX.COM FOR LATEST PART INFORMATION**

**Part Number:** [0496260982](#)  
**Status:** **Active**  
**Description:** 4.20mm (.165") Wire-to-Wire Lower TPA™ for Male Housing, 9 Circuits

**Documents:**

[Drawing \(PDF\)](#) [RoHS Certificate of Compliance \(PDF\)](#)

**General**

Product Family	Crimp Housings
Series	<a href="#">49626</a>
Product Name	N/A

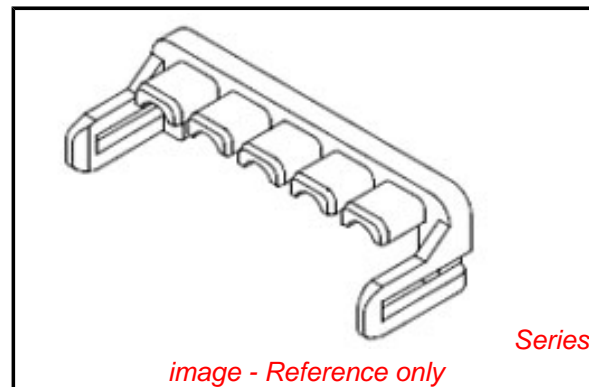
**Physical**

Circuits (maximum)	9
Circuits Detail	9
Color - Resin	Red
Gender	Male
Glow-Wire Compliant	No
Keying to Mating Part	None
Lock to Mating Part	Yes
Material - Resin	Nylon
Number of Rows	1
Packaging Type	Bag
Panel Mount	No
Pitch - Mating Interface (in)	0.165 In
Pitch - Mating Interface (mm)	4.20 mm
Polarized to Mating Part	Yes
Stackable	No
Temperature Range - Operating	-40°C to +105°C

**Material Info**

**Reference - Drawing Numbers**

Sales Drawing	SD-49626-001
---------------	--------------



**EU RoHS**

**ELV and RoHS  
Compliant**  
**REACH SVHC  
Contains SVHC: No**  
**Halogen-Free  
Status**

**China RoHS**



**Need more information on product  
environmental compliance?**

Email [productcompliance@molex.com](mailto:productcompliance@molex.com)  
 For a multiple part number RoHS Certificate of  
 Compliance, [click here](#)

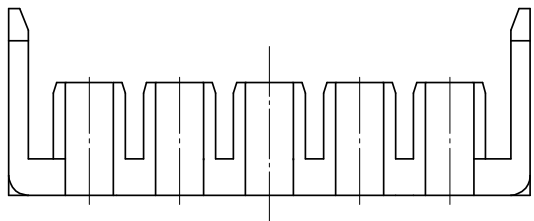
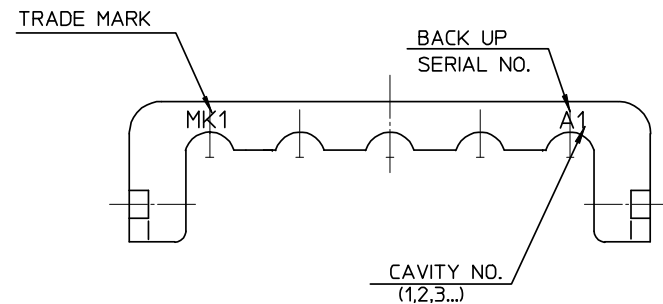
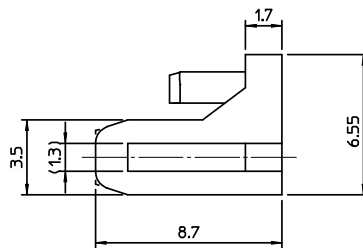
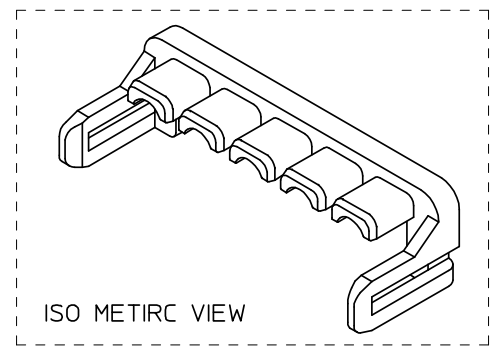
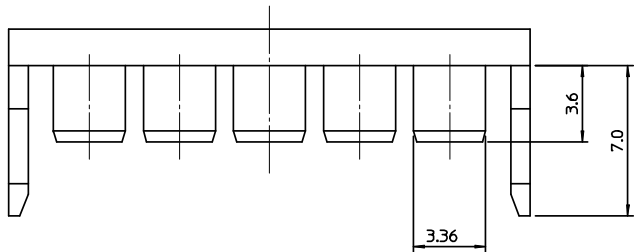
Please visit the [Contact Us](#) section for any  
 non-product compliance questions.

**Search Parts in this Series**

[49626Series](#)

**Mates With**

4.20mm (.165") Wire-to-Wire Male TPA™  
[49623](#)



-TABLE-

49626-1182	496261182	42	49.5	11
49626-1082	496261082	37.8	45.3	10
49626-0982	496260982	33.6	41.1	09
49626-0682	496260682	21.0	28.5	06
49626-0582	496260582	16.8	24.3	05
49626-0382	496260382	8.4	15.9	03
ENG NO.	MATREIAL NO.	A	B	CIRCUIT

NOTES

1. MATERIAL : POLYAMIDE(PA66),GLASS FILLED, UL94V-HB, COLOR : RED
2. APPLICABLE TERMINAL : 5558 T2A SERISE. 5558 T SERISE.
3. MATED WITH : 49623-\*\*90 SERIES.
4. PRODUCT SPECIFICATION : PS-49623-001

RELEASED EC NO: KOR2008-0134 DRWN:SKHAN01 2008/02/27 CHKD:WY. YANG 2008/02/29 APPR:YUNS.IKK.IM 2008/02/29	QUALITY SYMBOLS	GENERAL TOLERANCES (UNLESS SPECIFIED)	DIMENSION STYLE	SCALE	DESIGN UNITS	THIRD ANGLE PROJECTION
	▽=0 ▽=0	mm INCH	MM ONLY	4:1	METRIC	
		4 PLACES ± --- ± ---	DRAWN BY DATE	TITLE		
		3 PLACES ± --- ± ---	SK. HAN 2008/01/29	4.2MM W/W TPA CONN. LOWER TPA FOR MALE HOUSING		
	2 PLACES ± 0.3 ± ---	2008/01/29	MATERIAL NO.			
	1 PLACE ± 0.3 ± ---	2008/01/29	DOCUMENT NO.			
	ANGULAR ± 3 °		SD-49626-001			
			SHEET NO.			
			1 OF 1			

DRAFT WHERE APPLICABLE MUST REMAIN WITHIN DIMENSIONS	SIZE A3	THIS DRAWING CONTAINS INFORMATION THAT IS PROPRIETARY TO MOLEX INCORPORATED AND SHOULD NOT BE USED WITHOUT WRITTEN PERMISSION
--	---------	---

APPROVED BY DATE	EH. JUNG 2008/01/29
CHECKED BY DATE	WY. YANG 2008/01/29
MOLEX INCORPORATED	

MOLEX	MOLEX INCORPORATED
SD-49626-001	1 OF 1