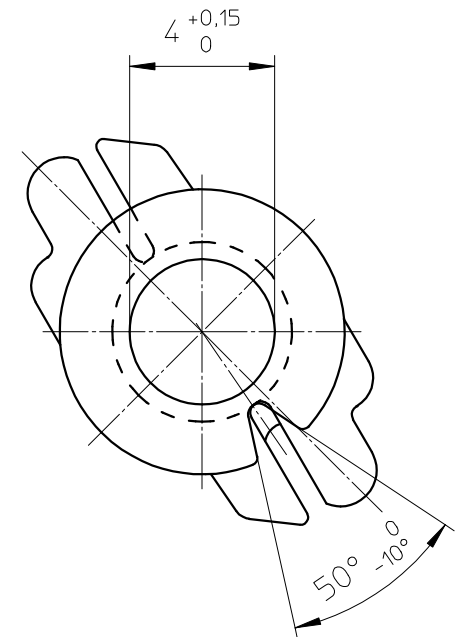
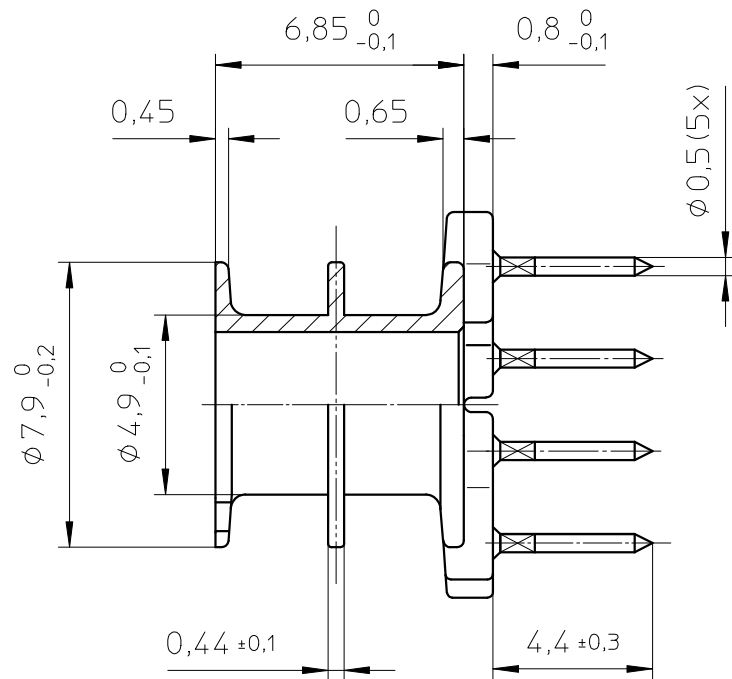
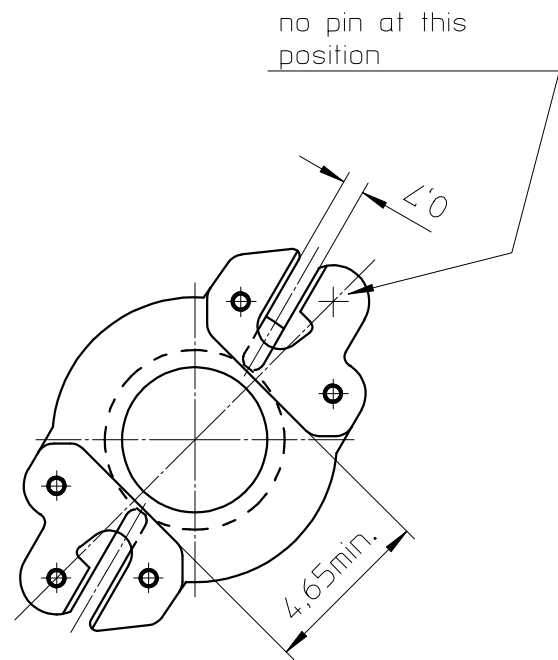
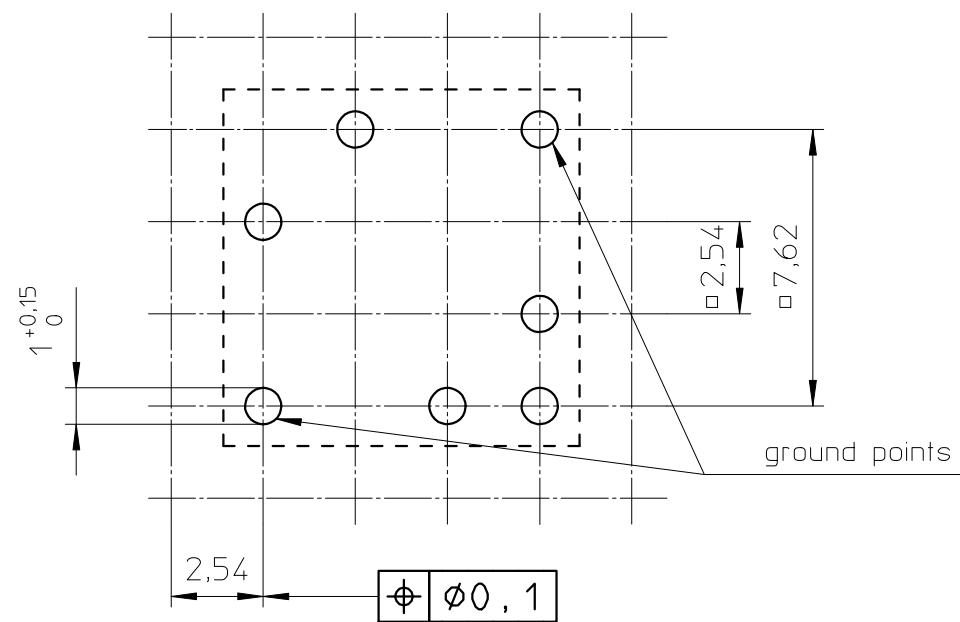


FERROXCUBE



HOLE PATTERN:

Space requirement 4x4 pitch.



Coil former material: Bakelite UP3420, glass-reinforced.

UL file number: E61040 - UL94V-0.

Pin material: CuSn - Ni flash, Sn plated.

max. operating temp. : acc.to IEC 60 085 class, H 180°C.

Resistance to soldering heat: 500°C - 5sec.

Solderability: acc. to IEC 60068-2-20 Part 2, Test Ta, method 1, 235°C - 2sec..

Winding area: 7 mm².

Mean length of turn: 19,8 mm.

CLASS.NO.	CSV-RM4-2S-5P		4322 021 03941	01-11-19
				02-04-04
				04-09-28
				05-09-01
NAME NAAM	Tjon	SUPERS. VERV.	1 SH SH BL BL	112 - 001
MPA	CHECK CONTR.	DAT.	01-11-19	010
		Property of Eigendom van		© FERROXCUBE 2000
				A3