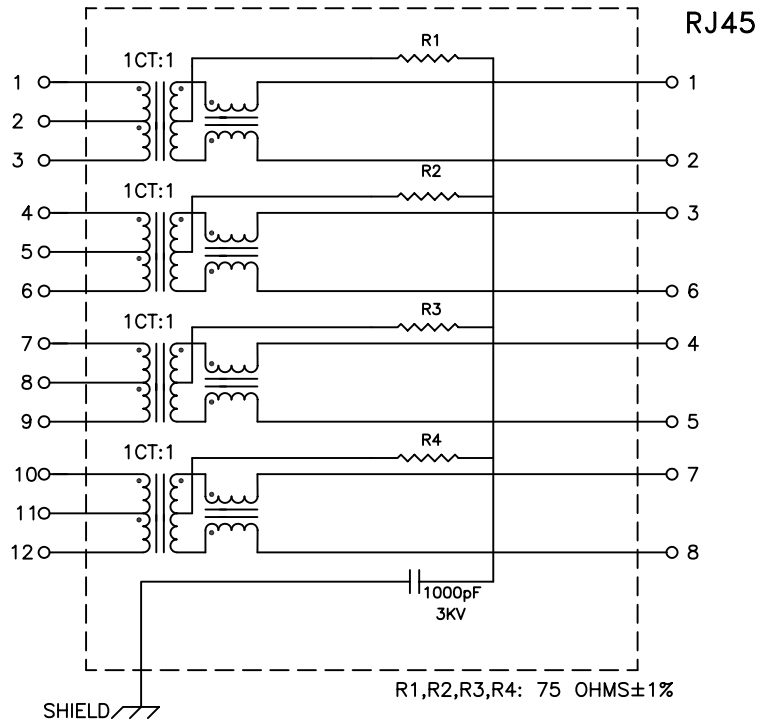


Schematic:



Notes:

1. Solderability: Leads shall meet MIL-STD-202G, Method 208H for solderability.
2. Flammability: UL94V-0
3. ASTM oxygen index: > 28%
4. UL Recognized Component: File Number E200238
5. Operating Temperature Range: All listed parameters are to be within tolerance from 0°C to +70°C
6. Storage Temperature Range: -55°C to +125°C
7. Aqueous wash compatible
8. Electrical and mechanical specifications 100% tested
9. RoHS Compliant Component

ISOLATION: 1500 Vrms

INSERTION LOSS: -0.6dB Max @1MHz
 -1.0dB Max @2MHz-300MHz
 -1.5dB Max @400MHz
 -2.0dB Max @500MHz

UTP SIDE OCL: 62uH Min @100KHz 100mV

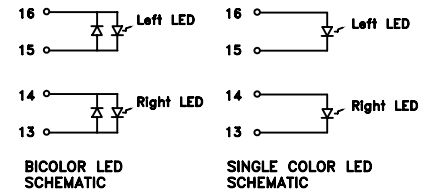
RETURN LOSS: -18dB Min @1MHz
 -20dB Min @2MHz-300MHz
 -15dB Min @400MHz
 -12dB Min @500MHz
 -9dB Min @600MHz

CM to DM Rejection Ratio: -48dB Typ @50MHz
 -42dB Typ @100MHz
 -36dB Typ @200MHz
 -33dB Typ @300MHz
 -30dB Typ @400MHz
 -28dB Typ @500MHz

CM TO CM Rejection Ratio: -30dB Typ @50MHz
 -27dB Typ @100MHz
 -24dB Typ @200MHz
 -22dB Typ @300MHz
 -21dB Typ @400MHz
 -20dB Typ @500MHz

URNS RATIO: (PRI/SEC) 1CT:1CT ±2%

Q: 8 Min @10KHz 50mV



Complete the Combo P/N as follows:

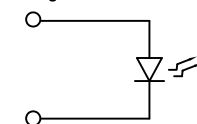
Replace 'x' & 'u' in the part number with one of the LED color letters:

Y=Yellow
 G=Green
 A=Amber
 R=Red

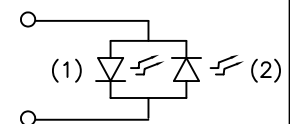
'x' = Left LED Color
 'u' = Right LED Color

C=Green(1)/Amber(2) Bicolor
 D=Amber(1)/Green(2) Bicolor
 M=Green(1)/Yellow(2) Bicolor
 N=Yellow(1)/Green(2) Bicolor
 P=Red(1)/Green(2) Bicolor
 Q=Green(1)/Red(2) Bicolor

Single Color LED:



Bi-Color LED:



XFMRs Inc
 www.XFMRs.com

Title:
SINGLE PORT 10GB COMBO w/LEDs

UNLESS OTHERWISE SPECIFIED
 TOLERANCES:
 .xxx ±0.010

P/N:XF10G02C-CTxu1-4L REV. A

Dimensions in Inch

DWN. Feng Mar-29-11

SHEET 1 OF 2

CHK. YK Liao Mar-29-11

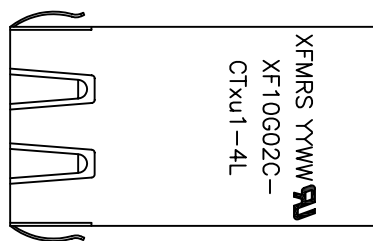
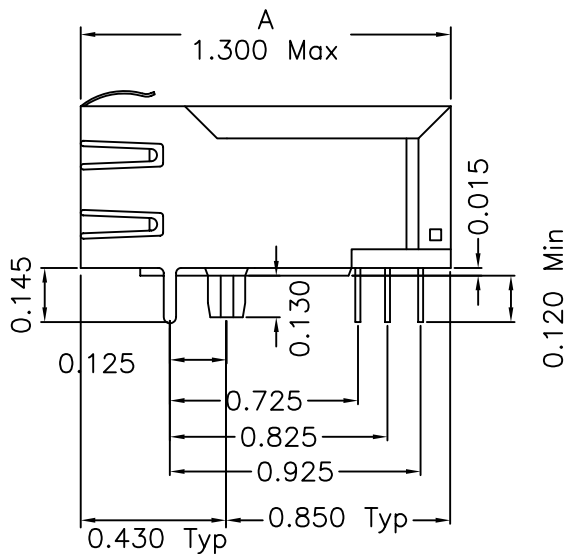
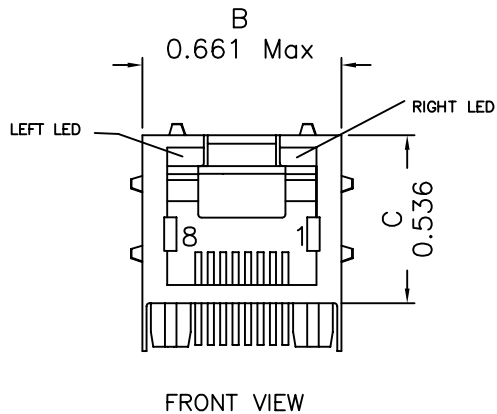
APP. BW Mar-29-11

DOC. REV: A/4

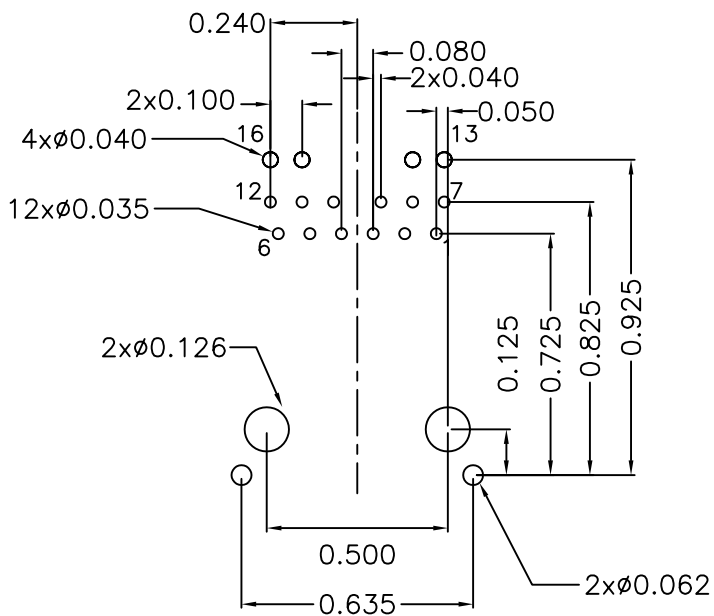
PROPRIETARY:

Document is the property of XFMRs Group & is not allowed to be duplicated without authorization.

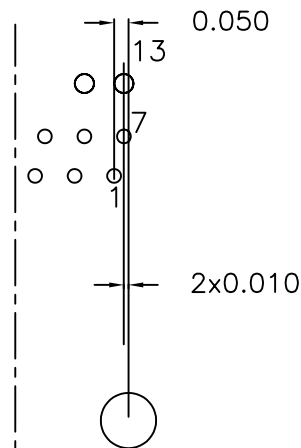
Mechanical Dimensions:



Mounting Pattern:



TOP VIEW



DOC REV: A/4

XFMRS Inc
www.XFMRS.com

Title: Mechanical Dimensions
For TAB UP RJ45 10GB COMBO

UNLESS OTHERWISE SPECIFIED
TOLERANCES:
.xxx ±0.010
Dimensions in Inch

P/N:XF10G02C-CTxu1-4L

REV. A

DWN.

Feng

Mar-29-11

CHK.

YK Liao

Mar-29-11

SHEET 2 OF 2

APP.

BW

Mar-29-11

PROPRIETARY:

Document is the property of XFMRS Group & is not allowed to be duplicated without authorization.