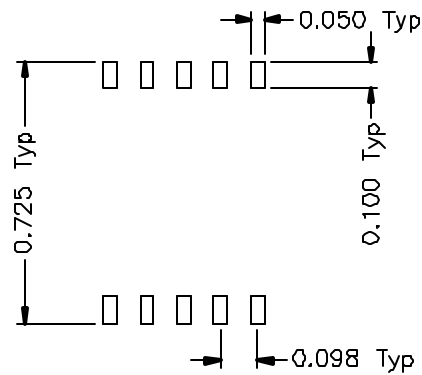
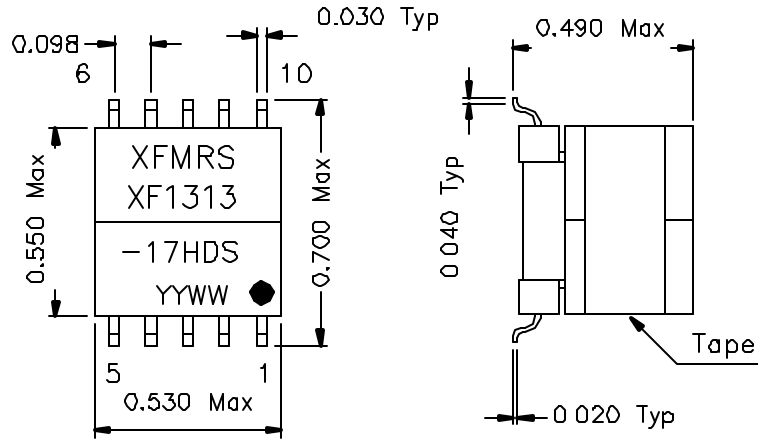
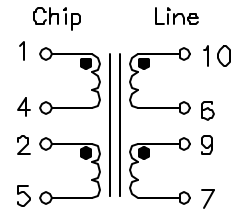


1. Dimensions:



Suggested PCB Layout

2.Schematic:



3.Electrical Specifications: @25°C

PIN10-7 OCL: 3.0mH ±10% @10KHz 0.1V 0mA_{dc}
(CONNECT PIN6-9)

PIN10-7 LL: 30uH Max @100KHz 100mV
(CONNECT PIN 6+9, 1,2,4,5)

URNS RATIO: (1-5):(10-7) = 1:1.8±1% tie(6+9, 2+4)

DC Res.: Pins 1-4 1.15 Ohms Max

DC Res.: Pins 2-5 1.15 Ohms Max

DC Res.: Pins 10-6 1.50 Ohms Max

DC Res.: Pins 9-7 1.50 Ohms Max

ISOLATION VOLTAGE: 2000V_{rms} (Chip to Line)

OPERATING TEMP: -40 TO 85°C

RETURN LOSS: 16.5dB Min 40-200KHz

LONGITUDINAL BALANCE: 50dB Min @5-196KHz

THD: -75db Typ @5KHz 6V_{p-p}

UL1950 approved for the requirements of
Supplementary Insulation with 300 working volts.
UL file #E165866

DOC. REV A/1

XFMRs Inc	Title: HDSL TRANSFORMER		
	UNLESS OTHERWISE SPECIFIED	P/N: XF1313-17HDS	REV. A
TOLERANCES: .xxx ±0.010	DWN.	廖玉坤	Mar-30-00
Dimensions in INCH	CHK.	李清儿	Mar-30-00
SHEET 1 OF 1	APP.	Joe Huff	Aug-17-00