

PLEASE CHECK WWW.MOLEX.COM FOR LATEST PART INFORMATION

Part Number: [0353620570](#)
Status: **Active**
Overview: [sherlock](#)
Description: 2.00mm (.079") Pitch Sherlock™ Wire-to-Board Header, Vertical, with Positive Lock, 5 Circuits, with Kinked PC Tails, Natural

Documents:

[Drawing \(PDF\)](#) [RoHS Certificate of Compliance \(PDF\)](#)
[Product Specification PS-35507-003 \(PDF\)](#)

Agency Certification

CSA LR19980
 UL E29179

General

Product Family PCB Headers
 Series [35362](#)
 Application Wire-to-Board
 Overview [sherlock](#)
 Product Name Sherlock™

Physical

Breakaway No
 Circuits (Loaded) 5
 Circuits (maximum) 5
 Color - Resin Natural
 Durability (mating cycles max) 30
 First Mate / Last Break No
 Flammability 94V-0
 Glow-Wire Compliant No
 Guide to Mating Part No
 Keying to Mating Part None
 Lock to Mating Part Yes
 Mated Height (in) 0.335 In
 Mated Height (mm) 8.50 mm
 Material - Plating Mating Tin
 Material - Plating Termination Tin
 Material - Resin Nylon
 Number of Rows 1
 Orientation Vertical
 PC Tail Length (in) 0.130 In
 PC Tail Length (mm) 3.30 mm
 PCB Locator No
 PCB Retention Yes
 PCB Thickness Recommended (in) 0.062 In
 PCB Thickness Recommended (mm) 1.60 mm
 Packaging Type Tube
 Pitch - Mating Interface (in) 0.079 In
 Pitch - Mating Interface (mm) 2.00 mm
 Pitch - Term. Interface (in) 0.079 In
 Pitch - Term. Interface (mm) 2.00 mm
 Polarized to Mating Part Yes
 Polarized to PCB No
 Shrouded Partial
 Stackable No
 Surface Mount Compatible (SMC) No

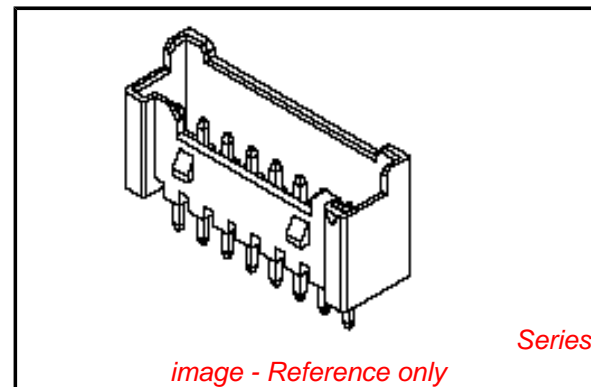


image - Reference only

EU RoHS

ELV and RoHS Compliant
REACH SVHC
 Not Reviewed
Halogen-Free Status

China RoHS



Need more information on product environmental compliance?

Email productcompliance@molex.com
 For a multiple part number RoHS Certificate of Compliance, [click here](#)

Please visit the [Contact Us](#) section for any non-product compliance questions.

Search Parts in this Series

[35362Series](#)

Mates With

[35507 Sherlock™ Wire-to-Board Housing](#)

Use With

[502128000 Terminal](#)

Temperature Range - Operating -40°C to +105°C
Termination Interface: Style Through Hole

Electrical

Current - Maximum per Contact 2A
Voltage - Maximum 125V

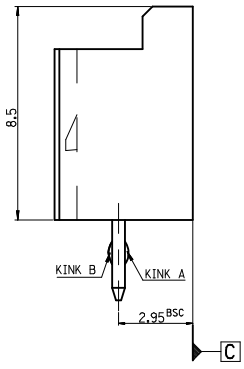
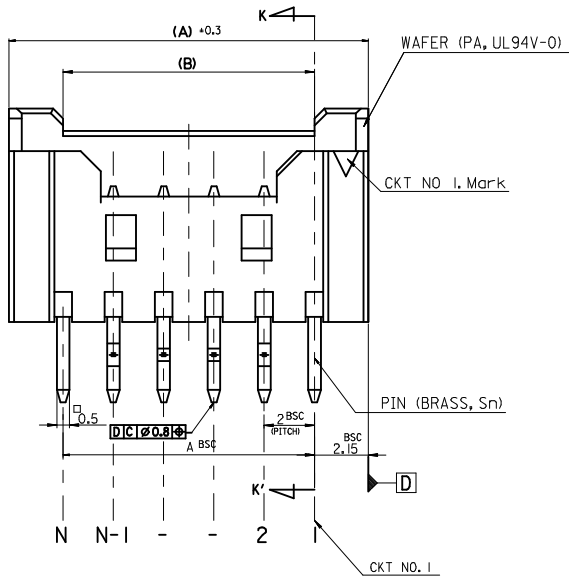
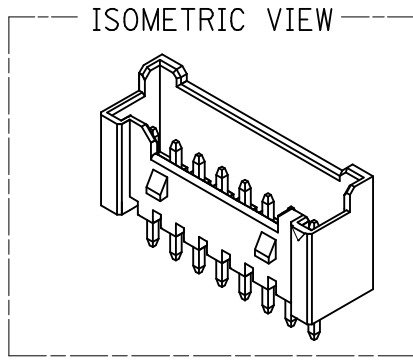
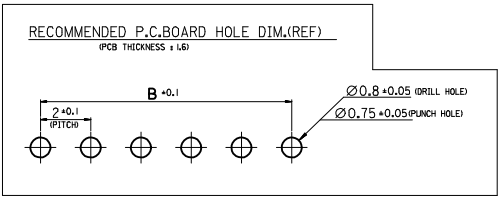
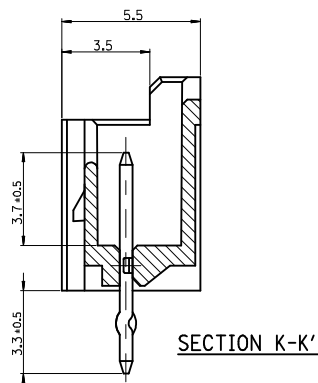
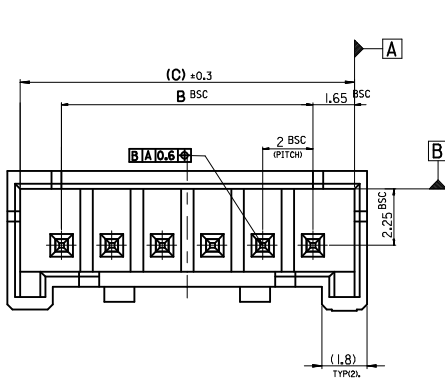
Material Info

Reference - Drawing Numbers

Packaging Specification PK-35362-003
Product Specification PS-35507-003, RPS-35507-005, RPS-35507-007
Sales Drawing SD-35362-002, SD-35362-003

This document was generated on 05/24/2010

PLEASE CHECK WWW.MOLEX.COM FOR LATEST PART INFORMATION



LEGEND

SD-35362-***
 CKT NO. ——— COLOR

- 0 : NATURAL
- 1 : BLACK
- 2 : RED
- 3 : YELLOW
- 4 : BLUE
- 5 : GREEN
- 6 : TUBE PACKING (Natural Color)
- 7 : TUBE PACKING (Red Color)
- 8 : TUBE PACKING (Blue Color)

FINAL GOOD (BULK) — 5 : SELECTIVE KINK (LEAD FREE)
 — 6 : NONE KINK (LEAD FREE)

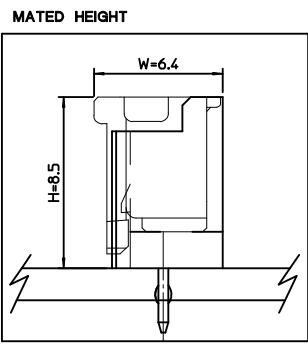
SUB ASSY (TUBE) — 7 : SELECTIVE KINK (LEAD FREE)
 — 8 : NONE KINK (LEAD FREE)

NOTES

- MATERIAL : WAFER : UNFILLED POLYAMIDE, UL94V-0
PIN : BRASS
- FINISHES : TERMINAL : Sn 2.3um OVERALL
- PRODUCT SPECIFICATION : PS-35507-003
- MATING HOUSING : 35507-***0*
MATING TERMINAL : 50212-8000
- KINK

CKT	CKT NO							
	1	2	3	-	N-2	N-1	N	
16±20 CKT	-	A	B	-	-	B	A	-

41.3	38	42.3	3536220**	35362-20**	20
39.3	36	40.3	3536219**	35362-19**	19
37.3	34	38.3	3536218**	35362-18**	18
35.3	32	36.3	3536217**	35362-17**	17
33.3	30	34.3	3536216**	35362-16**	16
(C)	B	(A)	MATERIAL NO.	ENG. NO.	CKT



LEAD FREE

30 over	±0.3
10 over 30 under	±0.25
10 under	±0.2
ANGLE	±3°
GENERAL TOLERANCE	

REVISED
 EC NO: KOR2009-0123
 DR: WNH/JEONG 2009/03/09
 CHKD: YSOOK/IM 2009/03/10
 APPR: YUNS/IKK/IM 2009/03/11

QUALITY SYMBOLS
 ▽=0
 ▽=0

GENERAL TOLERANCES (UNLESS SPECIFIED)

	mm	INCH
4 PLACES	±---	±---
3 PLACES	±---	±---
2 PLACES	±---	±---
1 PLACE	±---	±---
ANGULAR	±---°	

DRAFT WHERE APPLICABLE MUST REMAIN WITHIN DIMENSIONS

DIMENSION STYLE: MM ONLY

SCALE: 5:1

DESIGN UNITS: METRIC

THIRD ANGLE PROJECTION

DRAWN BY: YSOOK/IM DATE: 1996/09/11

CHECKED BY: JKOH DATE: 1996/09/11

APPROVED BY: CWLEE DATE: 1996/09/11

MATERIAL NO. SEE TABLE

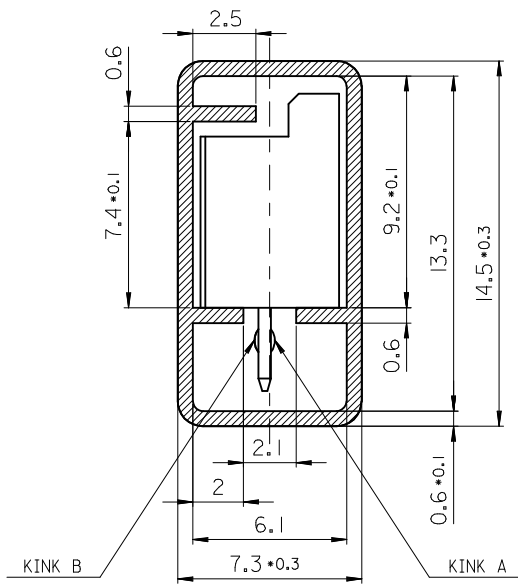
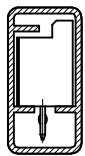
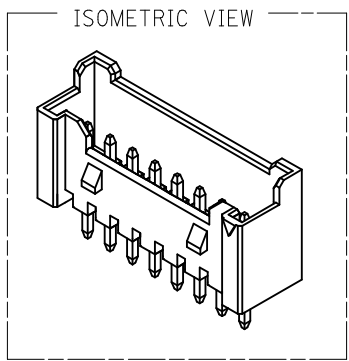
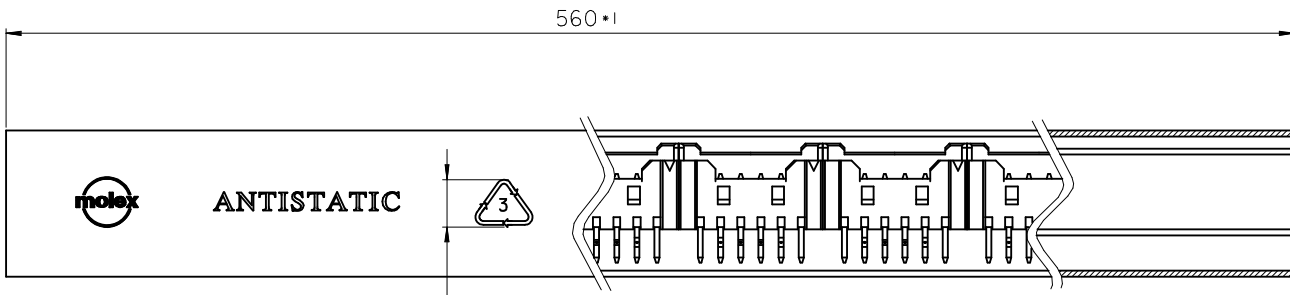
TITLE: 2.0 W/B WAFER ASS'Y -LEAD FREE-

MOLEX INCORPORATED

DOCUMENT NO. SD-35362-002

SHEET NO. 3 OF 3

THIS DRAWING CONTAINS INFORMATION THAT IS PROPRIETARY TO MOLEX INCORPORATED AND SHOULD NOT BE USED WITHOUT WRITTEN PERMISSION



LEGEND.

E-35362-*** **

2-20 Circuits [CKT NO.]

Final GOOD (Bulk) [5 : SELECTIVE KINK, 6 : NONE KINK]

Sub Assy (Tube) [7 : SELECTIVE KINK, 8 : NONE KINK]

[KINK]

COLOR & PACKING

- 0 : NATURAL
- 1 : BLACK
- 2 : RED
- 3 : YELLOW
- 4 : BLUE
- 5 : GREEN
- 6 : TUBE PACKING (Natural Color)
- 7 : TUBE PACKING (RED Color)
- 8 : TUBE PACKING (BLUE Color)

[B]

NOTES

1. MATERIAL : TUBE - TRANSLUCENT P.V.C (P-1000)
Wafer - POLYAMIDE, UL94V-0
PIN - BRASS SQ 0.5mm
2. BOW(CAMBER): 1.0mm MAX/Total Length
3. DIMENSIONS GIVEN ACROSS CENTER LINES ARE SYMMETRICAL ABOUT THOSE CENTER LINES WITH HALF THE TOTAL LENGTH.
4. TOTAL TUBE LENGTH : 560mm + -1mm
5. TWIST : 5° MAX./Total Length
6. BURRS : 0.2mm MAX.
7. SKEW : PRODUCTS MUST BE FLOWED SMOOTHLY WHEN THIS STICK IS PLACES 30° ANGLE.
8. THICKNESS : 0.6mm +-.0.1mm
9. ARTWORK : PER E-35900-0434 (SILK SCREEN COLOR : RED)
10. APPLICABLE STOPPER(RUBBER) : 35900-0435

TABLE

10	20**	-20**	20
10	19**	-19**	19
10	18**	-18**	18
10	17**	-17**	17
15	16**	-16**	16
15	15**	-15**	15
15	14**	-14**	14
15	13**	-13**	13
15	12**	-12**	12
20	11**	-11**	11
20	10**	-10**	10
25	09**	-09**	9
25	08**	-08**	8
30	07**	-07**	7
35	06**	-06**	6
40	05**	-05**	5
50	04**	-04**	4
60	03**	-03**	3
70	3536202**	35362-02**	2
QT'y	Material NO.	ENG. NO.	CKT

KINK TABLE(FOR 35362-**)**

CKT NO	1	2	3	4	5	N-2	N-1	N
6 CKT OVER	-	A	B	-	-	B	A	-
5 CKT	A	B	-	B	A			
4 CKT	A	B	B	A				
3 CKT	A	B	A					
2 CKT	-							

** 35362-0287 IS ONLY KINKED 2P

CKT NO	1	2
PRODUCT NO. 35362-0287	A	B

LEAD FREE

REVISED EC NO: KOR2009-0123 DRWN:HJEONG 2009/03/09 CHKD:YSOOKIM 2009/03/10 APPR:YUNSIKKIM 2009/03/11	QUALITY SYMBOLS	GENERAL TOLERANCES (UNLESS SPECIFIED)	DIMENSION STYLE	SCALE	DESIGN UNITS	THIRD ANGLE PROJECTION
	▼=0 ◁=0	mm INCH 4 PLACES ± --- ± --- 3 PLACES ± --- ± --- 2 PLACES ± --- ± --- 1 PLACE ± 0.2 ± --- ANGULAR ± 1°	MM ONLY	5:1	METRIC	
	DESCRIPTION	DRAFT WHERE APPLICABLE MUST REMAIN WITHIN DIMENSIONS	DRAWN BY DATE	TITLE	MOLEX INCORPORATED	
	REV	SEE TABLE	CHECKED BY DATE	2.0 W/B WAFER ASS'Y TUBE PACKING -LEAD FREE-	DOCUMENT NO.	SHEET NO.

THIS DRAWING CONTAINS INFORMATION THAT IS PROPRIETARY TO MOLEX INCORPORATED AND SHOULD NOT BE USED WITHOUT WRITTEN PERMISSION