

PLEASE CHECK WWW.MOLEX.COM FOR LATEST PART INFORMATION

Part Number: [0476392010](#)
Status: **Active**
Overview: [slimline serial ata odd connectors](#)
Description: 1.00mm(.039"), 1.27mm (.050") Pitch Slimline Serial ATA Plug for Optical Disk Drive, Vertical, SMT, 0.10µm (4µ") Gold (Au) Plating, with Beveled Metal Pins, Lead-free

Documents:

[3D Model](#) [Product Specification PS-47628-001 \(PDF\)](#)
[Drawing \(PDF\)](#) [RoHS Certificate of Compliance \(PDF\)](#)

Agency Certification

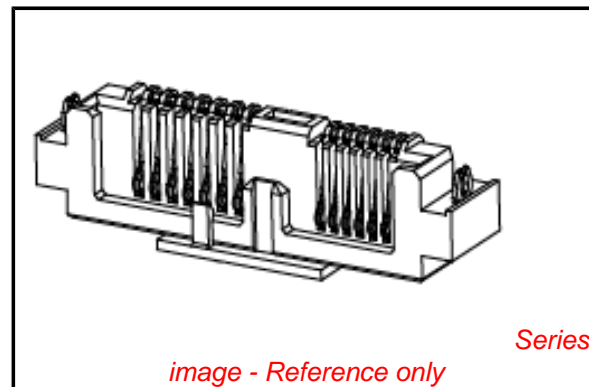
CSA LR 19980
 UL E29179

General

Product Family PCB Headers
 Series [47639](#)
 Application Board-to-Board
 Comments SMT Type
 Overview [slimline serial ata odd connectors](#)
 Product Name Serial ATA, Slimline Serial ATA

Physical

Breakaway No
 Circuits (Loaded) 13
 Circuits (maximum) 13
 Durability (mating cycles max) 500
 First Mate / Last Break Yes
 Flammability 94V-0
 Glow-Wire Compliant No
 Guide to Mating Part Yes
 Keying to Mating Part Yes
 Lock to Mating Part No
 Material - Metal Copper Alloy
 Material - Plating Mating Gold
 Material - Plating Termination Tin
 Material - Resin High Temperature Thermoplastic
 Number of Rows 1
 Orientation Vertical
 PCB Locator No
 PCB Retention Yes
 Packaging Type Embossed Tape on Reel
 Pitch - Mating Interface (in) 0.039 In, 0.050 In
 Pitch - Mating Interface (mm) 1.00 mm, 1.27 mm
 Pitch - Term. Interface (in) 0.039 In, 0.050 In
 Pitch - Term. Interface (mm) 1.00 mm, 1.27 mm
 Plating min: Mating (µin) 4
 Plating min: Mating (µm) 0.10
 Plating min: Termination (µin) 39
 Plating min: Termination (µm) 1
 Polarized to Mating Part Yes
 Polarized to PCB Yes
 Stackable No
 Temperature Range - Operating -35°C to +85°C
 Termination Interface: Style Surface Mount



EU RoHS

ELV and RoHS Compliant
REACH SVHC
 Not Reviewed
Halogen-Free Status

China RoHS



Need more information on product environmental compliance?

Email productcompliance@molex.com
 For a multiple part number RoHS Certificate of Compliance, [click here](#)

Please visit the [Contact Us](#) section for any non-product compliance questions.

Search Parts in this Series

[47639Series](#)

Electrical

| | |
|-------------------------------|--------|
| Current - Maximum per Contact | 1.5A |
| Voltage - Maximum | 15V DC |

Solder Process Data

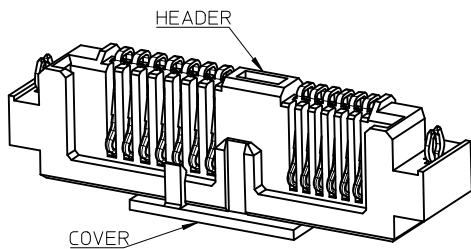
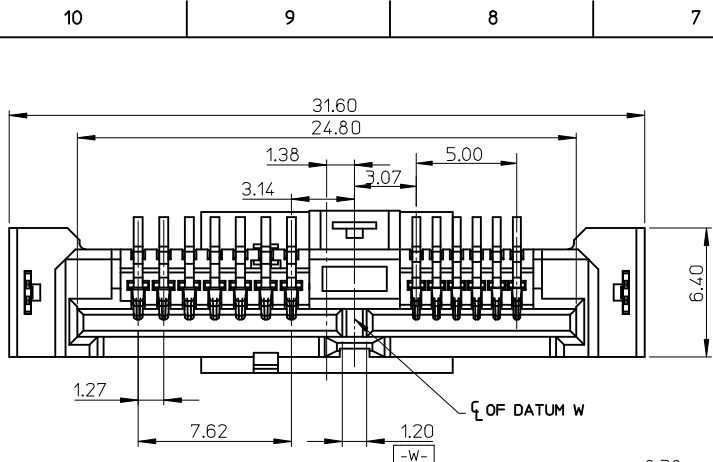
| | |
|--|---------------------------|
| Duration at Max. Process Temperature (seconds) | 10 |
| Lead-free Process Capability | Reflow Capable (SMT only) |
| Max. Cycles at Max. Process Temperature | 1 |
| Process Temperature max. C | 260 |

Material Info**Reference - Drawing Numbers**

| | |
|-------------------------|--------------|
| Packaging Specification | PK-47639-012 |
| Product Specification | PS-47628-001 |
| Sales Drawing | SD-47639-200 |

This document was generated on 05/26/2010

PLEASE CHECK WWW.MOLEX.COM FOR LATEST PART INFORMATION



NOTES :

1.MATERIAL :

HOUSING : HIGH TEMPERATURE THERMOPLASTIC, UL94V-0, BLACK
 TERMINAL : COPPER ALLOY
 FORKLOCK : COPPER ALLOY

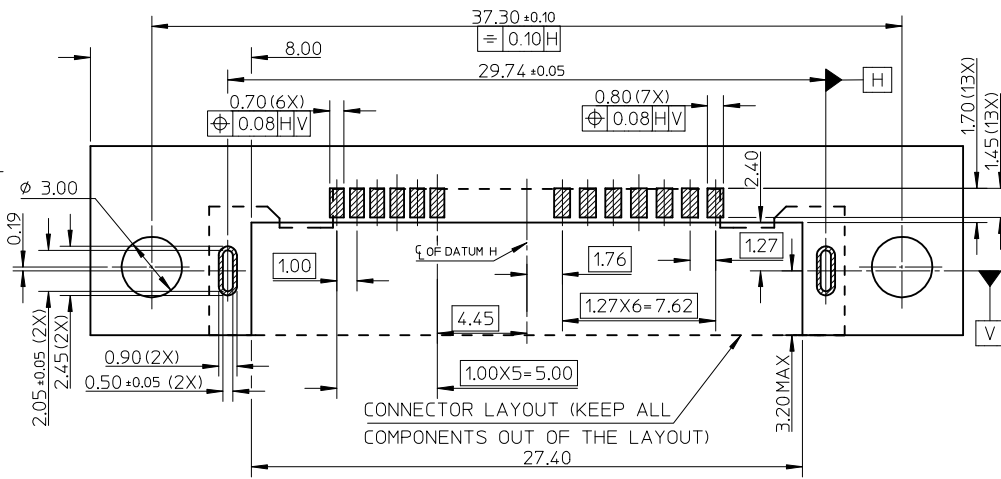
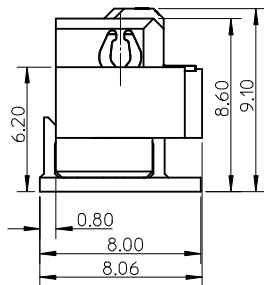
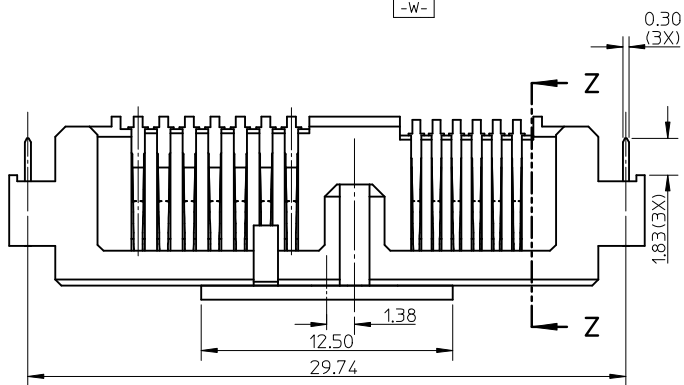
2.PLATING :

TERMINAL :
 CONTACT AREA : GOLD PLATING SPEC REFER TO CHART.
 SOLDER AREA : MATTE TIN PLATING 1 MICROMETER MIN.
 UNDERPLATING : NICKEL PLATING 1.25 MICROMETER MIN.
 FORKLOCK :
 TIN PLATING 1 MICROMETER MIN. OVER NICKEL PLATING
 1 MICROMETER MIN.

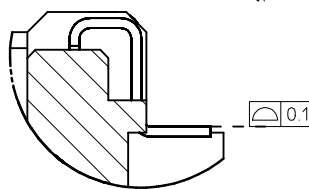
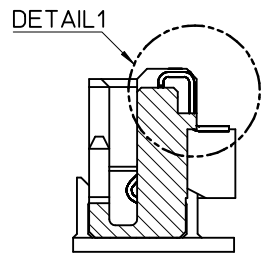
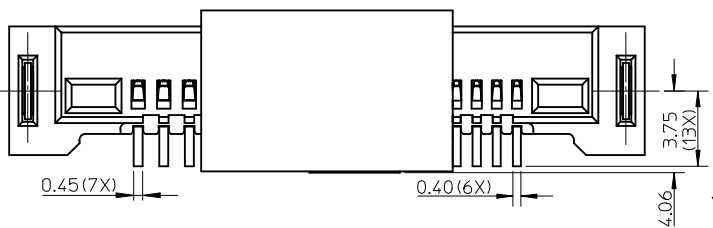
3.PACKAGE: TAPE REEL, PK-47639-012.

4.PRODUCT SPEC: PS-47628-001.

5.THE PRODUCT COMPLIANT TO RoHS DIRECTIVES 2002/95/EC AND
 ELV 2000/53/EC.



CONNECTOR LAYOUT (KEEP ALL COMPONENTS OUT OF THE LAYOUT)
 27.40
 RECOMMENDED PCB LAYOUT (COMPONENT SIDE)
 PCB THICKNESS=1.4MM+/-0.05



SECTION Z-Z

DETAIL1

| P/N | CONTACT GOLD PLATING SPEC |
|------------|---------------------------|
| 47639-2210 | 0.76 MICRONS MIN |
| 47639-2110 | 0.38 MICRONS MIN |
| 47639-2010 | 0.10 MICRONS MIN |

| REV | DESCRIPTION |
|--------------------|-------------|
| REVISD | |
| EC NO: SH2010-0070 | |
| DRW:GLL1 | 2009/08/21 |
| CHKD:XJ.SONG | 2009/08/21 |
| APPR:RZHANG | 2009/09/23 |

| QUALITY SYMBOLS | | GENERAL TOLERANCES (UNLESS SPECIFIED) | |
|--|--|---------------------------------------|--------------|
| $\nabla=0$ | | mm | INCH |
| $\nabla=0$ | | 4 PLACES | ± --- ± --- |
| | | 3 PLACES | ± --- ± --- |
| | | 2 PLACES | ± 0.15 ± --- |
| | | 1 PLACE | ± 0.25 ± --- |
| | | ANGULAR ± 3 ° | |
| DRAFT WHERE APPLICABLE MUST REMAIN WITHIN DIMENSIONS | | | |

| DIMENSION STYLE | | SCALE | DESIGN UNITS | THIRD ANGLE PROJECTION |
|-----------------|--------------|---|--------------|------------------------|
| MM ONLY | | 4:1 | METRIC | |
| DRAWN BY | DATE | TITLE | | |
| DIXON LI | 2007/12/05 | HEADER OF 2 PIECES SLIMLINE SATA VERTICAL SMT TYPE | | |
| CHECKED BY | DATE | MOLEX INCORPORATED | | |
| JOHNSON TIAN | 2007/12/05 | SD-47639-200 | | |
| APPROVED BY | DATE | SHEET NO. | | |
| HARVEY WANG | 2007/12/05 | 1 OF 1 | | |
| MATERIAL NO. | DOCUMENT NO. | THIS DRAWING CONTAINS INFORMATION THAT IS PROPRIETARY TO MOLEX INCORPORATED AND SHOULD NOT BE USED WITHOUT WRITTEN PERMISSION | | |
| SEE CHART | | | | |