

**PLEASE CHECK WWW.MOLEX.COM FOR LATEST PART INFORMATION**

**Part Number:** **0743201013**  
**Status:** **Active**  
**Description:** MicroCross™ DVI-I Digital/Analog Visual Interface, PCB Receptacle, Through Hole, Right Angle, Gold (Au) Flash Plating, 2.34mm (.092") P.C. Tail Length, 28 Circuits, Lead Free

**Documents:**

[Drawing \(PDF\)](#) [RoHS Certificate of Compliance \(PDF\)](#)  
[Product Specification PS-74320-001 \(PDF\)](#)

**General**

|                |   |
|----------------|---|
| Product Family | I/O Connectors                                |
| Series         | <a href="#">74320</a>                         |
| Application    | Wire-to-Board                                 |
| Comments       | DDWG (Digital Display Working Group) Standard |
| Component Type | Receptacle                                    |
| Product Name   | MicroCross™DVI                                |
| Type           | N/A   |

**Physical**

|                                |                |
|--------------------------------|----------------|
| Boot Color                     | N/A            |
| Circuits (Loaded)              | 28             |
| Circuits (maximum)             | 28             |
| Color - Resin                  | Black          |
| Durability (mating cycles max) | 100            |
| Gender                         | Receptacle     |
| Keying to Mating Part          | Yes            |
| Lock to Mating Part            | Yes            |
| Material - Metal               | Copper Alloy   |
| Material - Plating Mating      | Gold           |
| Material - Plating Termination | Tin            |
| Number of Rows                 | 3              |
| Orientation                    | Right Angle    |
| PC Tail Length (in)            | 0.092 In       |
| PC Tail Length (mm)            | 2.34 mm        |
| PCB Locator                    | Yes            |
| PCB Retention                  | Yes            |
| Packaging Type                 | Tray           |
| Panel Mount                    | Yes            |
| Pitch - Mating Interface (in)  | 0.075 In       |
| Pitch - Mating Interface (mm)  | 1.91 mm        |
| Pitch - Term. Interface (in)   | 0.075 In       |
| Pitch - Term. Interface (mm)   | 1.91 mm        |
| Plating min: Mating (µin)      | 2              |
| Plating min: Mating (µm)       | 0.05           |
| Plating min: Termination (µin) | 100            |
| Plating min: Termination (µm)  | 2.50           |
| Polarized to Mating Part       | Yes            |
| Polarized to PCB               | Yes            |
| Ports                          | 1              |
| Surface Mount Compatible (SMC) | No             |
| Temperature Range - Operating  | -20°C to +85°C |
| Termination Interface: Style   | Through Hole   |
| Waterproof / Dustproof         | No             |
| Wire Size AWG                  | N/A            |

**EU RoHS**

**ELV and RoHS  
Compliant**  
**REACH SVHC**  
 Not Reviewed  
**Halogen-Free  
Status**  
**Not Reviewed**

**China RoHS**



**Need more information on product environmental compliance?**

Email [productcompliance@molex.com](mailto:productcompliance@molex.com)  
 For a multiple part number RoHS Certificate of Compliance, [click here](#)

Please visit the [Contact Us](#) section for any non-product compliance questions.

**Search Parts in this Series**

[74320Series](#)

**Mates With**

[88744](#) , [74323](#)

**Electrical**

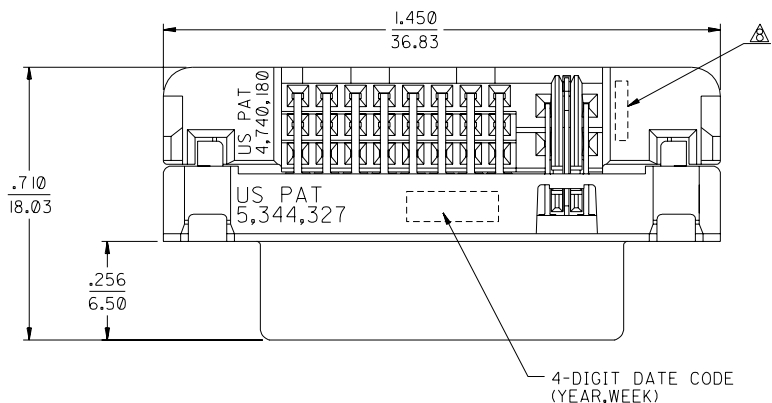
|                               |              |
|-------------------------------|--------------|
| Current - Maximum per Contact | 3A           |
| Grounding to Panel            | Yes          |
| Shield Type                   | Full Shield  |
| Shielded                      | Yes          |
| Voltage - Maximum             | 40V AC (RMS) |

**Material Info****Reference - Drawing Numbers**

|                       |              |
|-----------------------|--------------|
| Product Specification | PS-74320-001 |
|-----------------------|--------------|

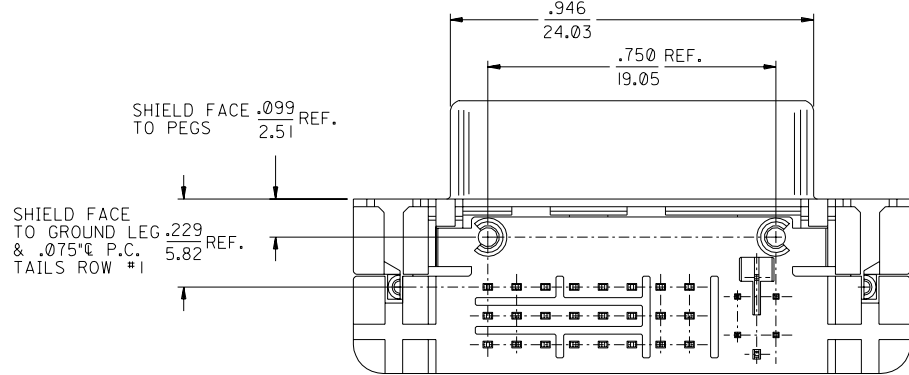
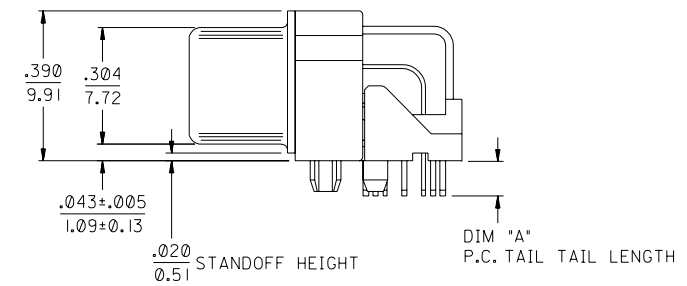
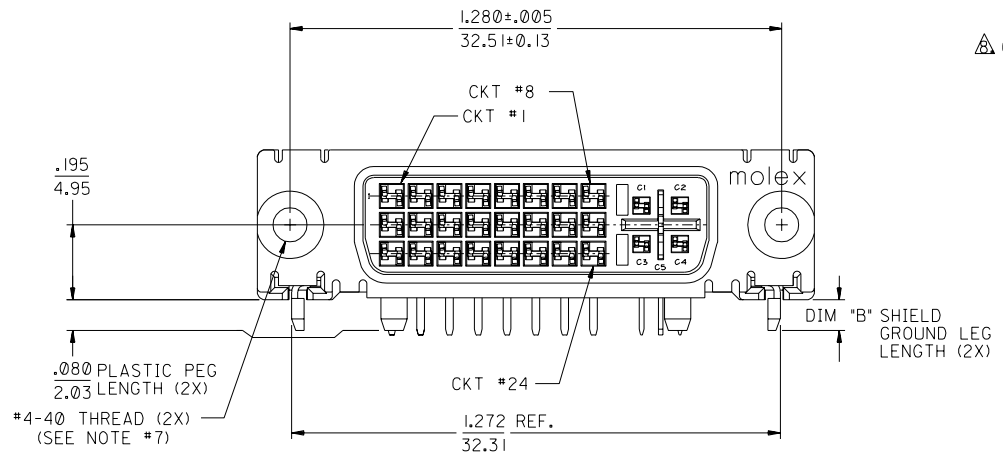
This document was generated on 04/05/2010

**PLEASE CHECK [WWW.MOLEX.COM](http://WWW.MOLEX.COM) FOR LATEST PART INFORMATION**



NOTES:

1. MATERIALS:  
SHIELD -- DEEP DRAW STEEL.  
HOUSING -- GLASS FILLED POLYMER, NATURAL (WHITE), UL 94v-0.  
TAIL ALIGNER -- GLASS FILLED POLYMER, NATURAL (WHITE), UL 94v-0.  
CONTACTS -- COPPER ALLOY.  
MICROCROSS GROUND -- COPPER ALLOY.
  2. PLATING: SEE SHEET 2
  3. PRODUCT CONFORMS TO MOLEX PRODUCT SPECIFICATION NUMBER PS-74320-001. REFER TO THIS SPECIFICATION FOR SPACING ON A P.C.B. OF TWO OR MORE CONNECTORS WHEN USING A CABLE OR AN ADAPTER ASSEMBLY.
  4. SEE SHEET 2 FOR RECOMMENDED PANEL CUT-OUT AND P.C.B. LAYOUT.
  5. PARTS WILL BE PACKAGED IN TRAYS PER PK-74320-005.
  6. PRODUCT CONFORMS TO DDWG DVI SPECIFICATION. REFER TO THIS SPECIFICATION FOR CONNECTOR MATING DIMENSIONS.
  7. RECOMMENDED MOUNTING HARDWARE IS MOLEX P/N 71781-0001 OR 82007-0300 AND 88780-6066.  
REFER TO PRODUCT SPECIFICATION NUMBER PS-74320-001 FOR THE APPLICATION TORQUE REQUIREMENT FOR ASSEMBLING MOUNTING HARDWARE.
- ⚠ CAVITY ID AND MANUFACTURING PLANT CODE.



| PART NUMBER | PLATING OPTION | DIM "A"   | DIM "B"   |
|-------------|----------------|-----------|-----------|
| 74320-1000  | 1              | .092/2.34 | .080±.020 |
| 74320-1001  | 1              | .050/1.27 | 2.03±0.51 |
| 74320-1003  | 1              | .123/3.12 | .110/2.79 |
| 74320-1004  | 2              | .092/2.34 | .080±.020 |
| 74320-1005  | 2              | .050/1.27 | 2.03±0.51 |
| 74320-1006  | 2              | .110/2.79 | .110/2.79 |
| 74320-1007  | 2              | .123/3.12 | .110/2.79 |

EWR 2002-0068  
EC NO. T2002-0298  
DRWN: ALLEN 02/06/21  
CHK: APPR:

| REV | DESCRIPTION |
|-----|-------------|
| C   |             |

| QUALITY SYMBOLS       | GENERAL TOLERANCES: (UNLESS SPECIFIED)               | SCALE 4 : 1        | DESIGN UNITS   |
|-----------------------|--|--------------------|--|
| MAJOR $\nabla=0$      | mm INCH  | DRAWN BY & DATE    | <input type="checkbox"/> mm <input checked="" type="checkbox"/> INCH |
| CRITICAL $\nabla=C=0$ | 4 PLACES ±0. 3 PLACES ±0. 2 PLACES ±0.25 1 PLACE ±0. | CHECKED BY & DATE  |  |
|                       | ANGULAR: ± 1/2°                                      | APPROVED BY & DATE |  |

THIRD ANGLE PROJECTION

TITLE: DVI - INTERGRATED RIGHT ANGLE RECEPTACLE CONNECTOR

moLEX MOLEX INCORPORATED

MATERIAL NO. SEE CHART DRAWING NO. SD-74320-001 SHEET NO. 1 OF 2

DRAFT WHERE APPLICABLE MUST REMAIN WITHIN DIMENSIONS

THIS DRAWING CONTAINS INFORMATION THAT IS PROPRIETARY TO MOLEX INCORPORATED AND SHOULD NOT BE USED WITHOUT WRITTEN PERMISSION.