

PLEASE CHECK WWW.MOLEX.COM FOR LATEST PART INFORMATION

Part Number: [5019314070](#)
Status: **Active**
Description: 1.25mm (.049") Pitch Duo-Clasp™ Wire-to-Board PCB Receptacle, Dual Row, Vertical, 40 Circuits

Documents:

3D Model	Product Specification PS-501931-002 (PDF)
Drawing (PDF)	RoHS Certificate of Compliance (PDF)
Application Specification (PDF)	

General

Product Family	PCB Receptacles
Series	501931
Application	Wire-to-Board
Product Name	Duo-Clasp™

Physical

Circuits (Loaded)	40
Color - Resin	Natural
Durability (mating cycles max)	30
Glow-Wire Compliant	No
Guide to Mating Part	Yes
Keying to Mating Part	Yes
Lock to Mating Part	Yes
Mated Height (in)	0.431 In
Mated Height (mm)	10.95 mm
Material - Metal	Copper Alloy
Material - Plating Mating	Gold
Material - Plating Termination	Tin
Number of Rows	2
Orientation	Vertical
PCB Locator	No
PCB Retention	Yes
Packaging Type	Embossed Tape on Reel
Pitch - Mating Interface (in)	0.049 In
Pitch - Mating Interface (mm)	1.25 mm
Polarized to Mating Part	Yes
Polarized to PCB	No
Stackable	No
Temperature Range - Operating	-25°C to +85°C
Termination Interface: Style	Surface Mount

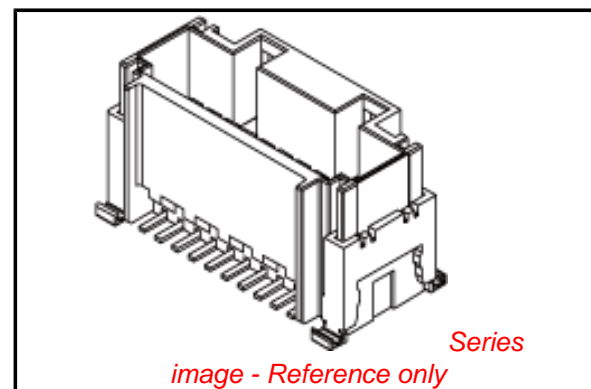
Electrical

Current - Maximum per Contact	1A
Voltage - Maximum	50V AC (RMS)/DC

Material Info

Reference - Drawing Numbers

Application Specification	AS-503110-001, AS-503110-002
Packaging Specification	SPK-501931-001
Product Specification	PS-501931-002, RPS-501931-002
Sales Drawing	SD-501931-001, SD-501931-002



EU RoHS

**ELV and RoHS
Compliant**
REACH SVHC
 Not Reviewed
**Halogen-Free
Status**
Not Reviewed

China RoHS



**Need more information on product
environmental compliance?**

Email productcompliance@molex.com
 For a multiple part number RoHS Certificate of Compliance, [click here](#)

Please visit the [Contact Us](#) section for any non-product compliance questions.

Search Parts in this Series

[501931Series](#)

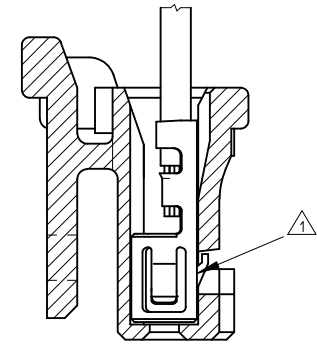
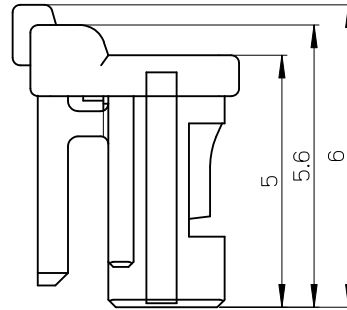
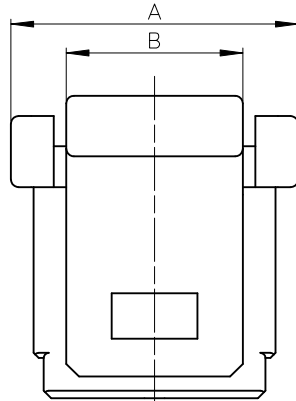
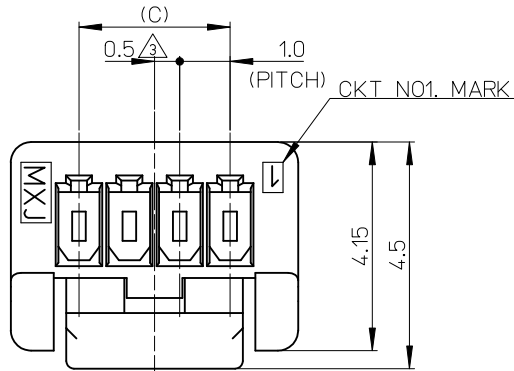
Mates With

[503110](#) Crimp Housing . [501930](#) Crimp Terminal

PLEASE CHECK WWW.MOLEX.COM FOR LATEST PART INFORMATION

NOTES.

- ① 適合ターミナル : 501334-****
APPLICABLE TERMINAL : 501334-****
- 2. 嵌合相手 : 501940/501953-****
MATE WITH : 501940/501953-****
- ③ 偶数極に適用
APPLY FOR EVEN CIRCUIT SIZE
- 4. ELV 及び RoHS適合品
ELV AND RoHS COMPLIANT.
- 5. 材質
MATERIAL
66ナイロン 66NYLON
ガラス無充填 GLASS FILLED 0%
UL94V-0



ターミナル装着図
TERMINAL ASSEMBLY DRAWING

4.0	3.5	6.7	5
3.0		5.7	4
2.0	2.5	4.7	3
C	B	A	極数 CIRCUITS

CONNECTOR SERIES No. 501939-****

REVISED EC NO: J2010-2217 DRWN:THAYU 2010/05/12 CHKD:AMIZUMURA 2010/05/13 APPR:NUKITA 2010/05/14	GENERAL TOLERANCES (UNLESS SPECIFIED)		DIMENSION STYLE MM ONLY		SCALE 10:1	DESIGN UNITS METRIC	THIRD ANGLE PROJECTION	
	10 UNDER	±0.2	DRAWN BY NYOSHIDA	DATE 2005/09/16	TITLE 1.0 WIRE TO BOARD CONN. 1-ROW RECPTACLE HOUSING POSITIVE LOCK MOLEX INCORPORATED			
	10 OVER 30 UNDER	±0.25	CHECKED BY AMIZUMURA	DATE 2005/09/16				
	30 OVER	±0.3	APPROVED BY MYAGI	DATE 2005/09/16				
ANGULAR	±3 °	MATERIAL NO. SEE SHEET 2		DOCUMENT NO. SD-501939-001		SHEET NO. 1 OF 2		
DRAFT WHERE APPLICABLE MUST REMAIN WITHIN DIMENSIONS		THIS DRAWING CONTAINS INFORMATION THAT IS PROPRIETARY TO MOLEX INCORPORATED AND SHOULD NOT BE USED WITHOUT WRITTEN PERMISSION						

アイボリー IVORY	紫 VIOLET	橙 ORANGE	茶 BROWN	緑 GREEN	色 COLOR
501939-0530	501939-0539	501939-0538	501939-0537	501939-0536	5
501939-0430	501939-0439	501939-0438	501939-0437	501939-0436	4
501939-0330	501939-0339	501939-0338	501939-0337	501939-0336	3
PLASTIC BAG PACKAGE オーダー番号 ORDER NO.	PLASTIC BAG PACKAGE オーダー番号 ORDER NO.	PLASTIC BAG PACKAGE オーダー番号 ORDER NO.	PLASTIC BAG PACKAGE オーダー番号 ORDER NO.	PLASTIC BAG PACKAGE オーダー番号 ORDER NO.	極数 CIRCUITS
CONNECTOR SERIES No. 501939-****					
青 BLUE	黄 YELLOW	赤 RED	黒 BLACK	白 WHITE	色 COLOR
501939-0534	501939-0533	501939-0532		501939-0500	5
501939-0434	501939-0433	501939-0432	501939-0431	501939-0400	4
501939-0334	501939-0333	501939-0332	501939-0331	501939-0300	3
PLASTIC BAG PACKAGE オーダー番号 ORDER NO.	PLASTIC BAG PACKAGE オーダー番号 ORDER NO.	PLASTIC BAG PACKAGE オーダー番号 ORDER NO.	PLASTIC BAG PACKAGE オーダー番号 ORDER NO.	PLASTIC BAG PACKAGE オーダー番号 ORDER NO.	極数 CIRCUITS

REVISED EC NO: J2010-2217 DRWN: THANJU CHKD: KASAKAWA APPR: NUKITA	2010/05/12 2010/05/13 2010/05/14	GENERAL TOLERANCES (UNLESS SPECIFIED)		DIMENSION STYLE MM ONLY		SCALE 10:1	DESIGN UNITS METRIC	THIRD ANGLE PROJECTION		
		10 UNDER	±0.2	DRAWN BY NYOSHIDA	DATE 2005/09/16	TITLE 1.0 WIRE TO BOARD CONN. 1-ROW RECPTACLE HOUSING POSITIVE LOCK MOLEX INCORPORATED SD-501939-001				
		10 OVER 30 UNDER	±0.25	CHECKED BY AMIZUMURA	DATE 2005/09/16					
		30 OVER	±0.3	APPROVED BY MYAGI	DATE 2005/09/16					
ANGULAR ±3 °		DRAFT WHERE APPLICABLE MUST REMAIN WITHIN DIMENSIONS		MATERIAL NO. SEE TABLE		DOCUMENT NO. SD-501939-001		SHEET NO. 2 OF 2		
THIS DRAWING CONTAINS INFORMATION THAT IS PROPRIETARY TO MOLEX INCORPORATED AND SHOULD NOT BE USED WITHOUT WRITTEN PERMISSION										