

Stud Type Junction Blocks (Non-Feed Thru)



Series C4559 & C6083

SPECIFICATIONS

Rating: 30A, 600V

Operating Temperature: 250°F (120°C)

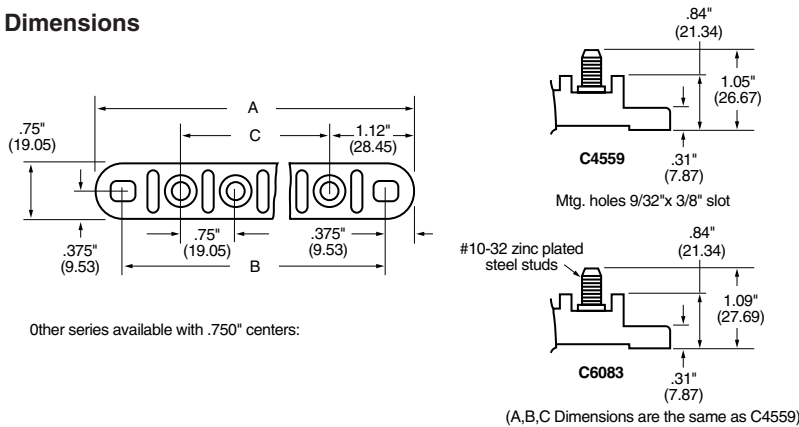
Standards: 2 to 16 steel studs with #10-24 threads on .750" centers and a "dog point" to guide nut onto thread.

Torque Rating: 20 in-lb (25 in-lb).

Marking: Numbers and arrows molded on top of barriers indicate terminals.

Approvals: UL/CSA; CE Certified

Dimensions



| Part No. | A | B | C |
|----------|---------------|---------------|---------------|
| C4559-2 | 3.00 (76.2) | 2.25 (57.1) | 0.75 (19.0) |
| C4559-3 | 3.75 (95.2) | 3.00 (76.2) | 1.50 (38.1) |
| C4559-4 | 4.50 (114.3) | 3.75 (95.2) | 2.25 (57.1) |
| C4559-5 | 5.25 (133.3) | 4.50 (114.3) | 3.00 (76.2) |
| C4559-6 | 6.00 (152.4) | 5.25 (133.3) | 3.75 (95.2) |
| C4559-7 | 6.75 (171.4) | 6.00 (152.4) | 4.50 (114.3) |
| C4559-8 | 7.50 (190.5) | 6.75 (171.4) | 5.25 (133.3) |
| C4559-9 | 8.25 (209.5) | 7.50 (190.5) | 6.00 (152.4) |
| C4559-10 | 9.00 (228.6) | 8.25 (209.5) | 6.75 (171.4) |
| C4559-11 | 9.75 (247.6) | 9.00 (228.6) | 7.50 (190.5) |
| C4559-12 | 10.50 (266.7) | 9.75 (247.6) | 8.25 (209.5) |
| C4559-13 | 11.25 (285.7) | 10.50 (266.7) | 9.00 (228.6) |
| C4559-14 | 12.00 (308.4) | 11.25 (285.7) | 9.75 (247.6) |
| C4559-15 | 12.75 (323.8) | 12.00 (308.4) | 10.50 (266.7) |
| C4559-16 | 13.50 (342.9) | 12.75 (323.8) | 11.25 (285.7) |

Series C5237 & JB1032

SPECIFICATIONS

Rating: UL: 30A, 300V; CSA: 30A, 600V.

Operating Temperature: 250°F (120°C)

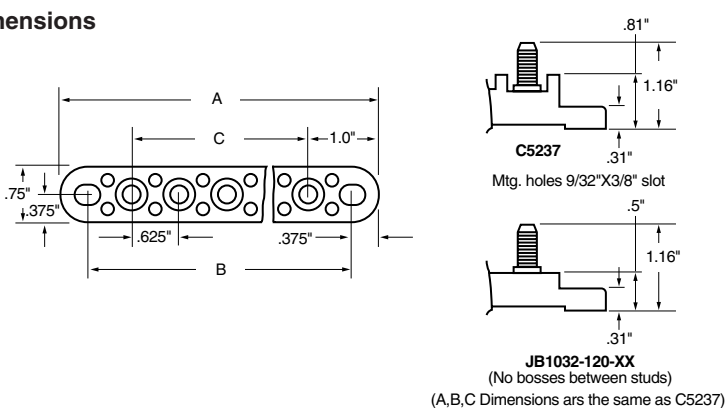
Standards: 1 to 15 brass studs on .625" centers with #10-32 thread and a "dog point" to guide nut onto thread.

Torque Rating: 20 in-lb (25 in-lb).

Marking: Numbers and arrows molded on top of barriers indicate terminals.

Approvals: UL/CSA; CE Certified

Dimensions



| Part No. | A | B | C |
|----------|---------------|---------------|--------------|
| C5237-1 | 2.00 (50.8) | 1.25 (31.7) | - |
| C5237-2 | 2.62 (66.7) | 1.87 (47.5) | .625 (15.9) |
| C5237-3 | 3.25 (82.5) | 2.50 (63.4) | 1.25 (31.7) |
| C5237-4 | 3.87 (98.4) | 3.12 (79.4) | 1.87 (47.5) |
| C5237-5 | 4.50 (114.3) | 3.75 (95.2) | 2.50 (63.4) |
| C5237-6 | 5.12 (130.8) | 4.37 (111.1) | 3.12 (79.4) |
| C5237-7 | 5.75 (146.0) | 5.00 (127.0) | 3.75 (95.2) |
| C5237-8 | 6.37 (161.9) | 5.62 (142.9) | 4.37 (111.1) |
| C5237-9 | 7.00 (177.8) | 6.25 (158.7) | 5.00 (127.0) |
| C5237-10 | 7.62 (193.7) | 6.87 (174.6) | 5.62 (142.9) |
| C5237-11 | 8.25 (209.5) | 7.50 (190.5) | 6.25 (158.7) |
| C5237-12 | 8.87 (225.4) | 8.12 (206.4) | 6.87 (174.6) |
| C5237-13 | 9.50 (241.3) | 8.75 (222.2) | 7.50 (190.5) |
| C5237-14 | 10.12 (257.2) | 9.37 (238.1) | 8.12 (206.4) |
| C5237-15 | 10.75 (273.0) | 10.00 (254.0) | 8.75 (222.2) |

Stud Type Junction Blocks

SPECIFICATIONS

Material: Studs on non-feed-thrus are steel plated; feed-thrus are copper alloy.

Applications: Heavy-duty ground or power connection points in AC or DC circuits. Feed-thru or stand alone mount options available for transformers, communication and computer power sections along with various vehicle electrical systems.

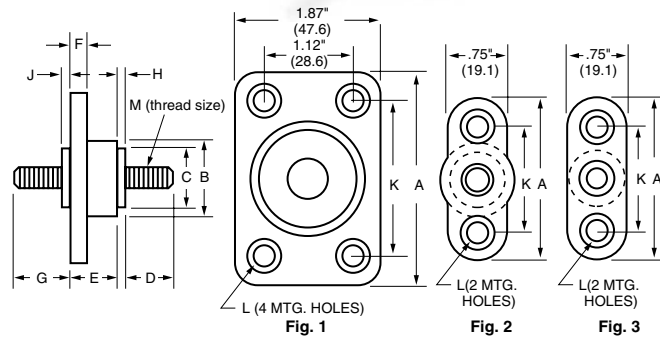
Benefits: Modular design offers design and manufacturing flexibility.

Suggested Max. Termination Ratings:

| Thread/Stud Sz. | Amperages |
|-----------------|-----------|
| #10 | 50 Amps |
| #1/4 & M6 | 100 Amps |
| #5/16 | 200 Amps |
| #3/8 | 250 Amps |
| #1/2 | 400 Amps |



Dimensions



| Part | Fig. | A | B | C | D | E | F | G | H | J | K | L | M | Material | Color |
|----------|------|-------------|-------------|-------------|-------------|-------------|-----------|-------------|-----------|-----------|-------------|---------------------------------------|---------|-----------------------------------|-------|
| C1925* | 1 | 2.75 (69.8) | 1.5 (38.1) | 1.25 (31.7) | 1.25 (31.7) | 1.12 (28.6) | .37 (9.5) | 1.12 (28.6) | .19 (4.8) | .19 (4.8) | 2.0 (50.8) | .22 dia. w/.44 dia. C'bore x .16 deep | 1/2-13 | Thermoplastic / Zinc plated Brass | Red |
| C1925B | 1 | 2.75 (69.8) | 1.5 (38.1) | 1.25 (31.7) | 1.25 (31.7) | 1.12 (28.6) | .37 (9.5) | 1.12 (28.6) | .19 (4.8) | .19 (4.8) | 2.0 (50.8) | .22 dia. w/.44 dia. C'bore x .16 deep | 1/2-13 | Thermoplastic / Zinc plated Brass | Black |
| C1925-1 | 1 | 2.75 (69.8) | 1.5 (38.1) | 1.25 (31.7) | 1.25 (31.7) | 1.12 (28.6) | .37 (9.5) | 1.12 (28.6) | .19 (4.8) | .19 (4.8) | 2.0 (50.8) | .22 dia. w/.44 dia. C'bore x .16 deep | 1/2-13 | Thermoplastic / Tin plated Brass | Red |
| C1925-1B | 1 | 2.75 (69.8) | 1.5 (38.1) | 1.25 (31.7) | 1.25 (31.7) | 1.12 (28.6) | .37 (9.5) | 1.12 (28.6) | .19 (4.8) | .19 (4.8) | 2.0 (50.8) | .22 dia. w/.44 dia. C'bore x .16 deep | 1/2-13 | Thermoplastic / Tin plated Brass | Black |
| C1925-2 | 1 | 2.75 (69.8) | 1.5 (38.1) | 1.25 (31.7) | 1.25 (31.7) | 1.12 (28.6) | .37 (9.5) | 1.12 (28.6) | .19 (4.8) | .19 (4.8) | 2.0 (50.8) | .22 dia. w/.44 dia. C'bore x .16 deep | 3/8-16 | Thermoplastic / Tin plated Brass | Red |
| C1925-2B | 1 | 2.75 (69.8) | 1.5 (38.1) | 1.25 (31.7) | 1.25 (31.7) | 1.12 (28.6) | .37 (9.5) | 1.12 (28.6) | .19 (4.8) | .19 (4.8) | 2.0 (50.8) | .22 dia. w/.44 dia. C'bore x .16 deep | 3/8-16 | Thermoplastic / Tin plated Brass | Black |
| C1933 | 1 | 2.75 (69.8) | 1.44 (36.6) | 1.25 (31.7) | 1.5 (38.1) | 1.12 (28.6) | .37 (9.5) | None | .19 (4.8) | None | 2.0 (50.8) | .22 dia. | 1/2-13 | Thermoplastic / Zinc plated Brass | Black |
| C1933-1 | 1 | 2.75 (69.8) | 1.44 (36.3) | 1.25 (31.7) | 1.5 (38.1) | 1.12 (28.6) | .37 (9.5) | None | .19 (4.8) | None | 2.0 (50.8) | .22 dia. | 5/16-18 | Thermoplastic / Zinc plated Brass | Black |
| C1938* | 2 | 2.06 (52.4) | .94 (23.8) | .69 (17.5) | .87 (22.2) | .69 (17.5) | .31 (7.9) | .87 (22.2) | .06 (1.6) | .06 (1.6) | 1.31 (33.3) | .22 dia. w/.41 dia. C'bore x .14 deep | 3/8-16 | Thermoplastic / Zinc plated Brass | Black |
| C1938R | 2 | 2.06 (52.4) | .94 (23.8) | .69 (17.5) | .87 (22.2) | .69 (17.5) | .31 (7.9) | .94 (23.8) | .06 (1.6) | .06 (1.6) | 1.31 (33.3) | .22 dia. w/.41 dia. C'bore x .14 deep | 3/8-16 | Thermoplastic / Zinc plated Brass | Red |
| C1938-1 | 2 | 2.06 (52.4) | .94 (23.8) | .69 (17.5) | .87 (22.2) | .69 (17.5) | .31 (7.9) | .94 (23.8) | .06 (1.6) | .06 (1.6) | 1.31 (33.3) | .22 dia. w/.41 dia. C'bore x .14 deep | 5/16-18 | Thermoplastic / Tin plated Brass | Black |
| C1938-1R | 2 | 2.06 (52.4) | .94 (23.8) | .69 (17.5) | .87 (22.2) | .69 (17.5) | .31 (7.9) | .94 (23.8) | .06 (1.6) | .06 (1.6) | 1.31 (33.3) | .22 dia. w/.41 dia. C'bore x .14 deep | 5/16-18 | Thermoplastic / Tin plated Brass | Red |
| C2791* | 3 | 2.06 (52.4) | .69 (17.5) | .44 (11.2) | .62 (15.9) | .69 (17.5) | .31 (7.9) | .69 (17.5) | .06 (1.6) | .06 (1.6) | 1.31 (33.3) | .22 dia. w/.41 dia. C'bore x .14 deep | 1/4-20 | Thermoplastic / Zinc plated Brass | Black |
| C2791R* | 3 | 2.06 (52.4) | .69 (17.5) | .44 (11.2) | .62 (15.9) | .69 (17.5) | .31 (7.9) | .69 (17.5) | .06 (1.6) | .06 (1.6) | 1.31 (33.3) | .22 dia. w/.41 dia. C'bore x .14 deep | 1/4-20 | Thermoplastic / Zinc plated Brass | Red |
| C2909* | 3 | 2.06 (52.4) | .69 (17.5) | .44 (11.2) | .62 (15.9) | 1.0 (25.4) | .31 (7.9) | .69 (17.5) | .06 (1.6) | .06 (1.6) | 1.31 (33.3) | .22 dia. w/.41 dia. C'bore x .14 deep | 10-32 | Thermoplastic / Zinc plated Brass | Black |
| C2909-1* | 3 | 2.06 (52.4) | .69 (17.5) | .44 (11.2) | .62 (15.9) | 1.0 (25.4) | .31 (7.9) | .69 (17.5) | .06 (1.6) | .06 (1.6) | 1.31 (33.3) | .22 dia. w/.41 dia. C'bore x .14 deep | 1/4-20 | Thermoplastic / Zinc plated Brass | Black |
| C4044* | 2 | 2.06 (52.4) | .87 (22.2) | .62 (15.9) | .62 (15.9) | 1.12 (28.6) | .31 (7.9) | .87 (22.2) | .06 (1.6) | .06 (1.6) | 1.31 (33.3) | .22 dia. w/.41 dia. C'bore x .14 deep | 3/8-16 | Thermoplastic / Zinc plated Brass | Black |
| C4044-1 | 2 | 2.06 (52.4) | .87 (22.2) | .62 (15.9) | .62 (15.9) | 1.12 (28.6) | .31 (7.9) | .94 (23.8) | .06 (1.6) | .06 (1.6) | 1.31 (33.3) | .22 dia. w/.41 dia. C'bore x .14 deep | 3/8-16 | Thermoplastic / Tin plated Brass | Red |
| C4044-1R | 2 | 2.06 (52.4) | .87 (22.2) | .62 (15.9) | .62 (15.9) | 1.12 (28.6) | .31 (7.9) | .94 (23.8) | .06 (1.6) | .06 (1.6) | 1.31 (33.3) | .22 dia. w/.41 dia. C'bore x .14 deep | 3/8-16 | Thermoplastic / Tin plated Brass | Red |
| C6344-2 | 2 | 2.06 (52.4) | .87 (22.2) | .62 (15.9) | .62 (15.9) | 1.12 (28.6) | .31 (7.9) | .94 (23.8) | .06 (1.6) | .06 (1.6) | 1.31 (33.3) | .22 dia. w/.41 dia. C'bore x .14 deep | 3/8-16 | Thermoplastic / Zinc plated Brass | Black |
| C7018* | 3 | 2.06 (52.4) | .69 (17.5) | .44 (11.2) | .47 (11.9) | .69 (17.5) | .31 (7.9) | .53 (13.5) | .06 (1.6) | .06 (1.6) | 1.31 (33.3) | .22 dia. w/.41 dia. C'bore x .14 deep | M6 | Thermoplastic / Zinc plated Brass | Black |
| C7020 | 2 | 2.06 (52.4) | .94 (23.8) | .69 (17.5) | .88 (22.2) | .69 (17.5) | .31 (8.0) | 1.25 (31.8) | .06 (1.6) | .06 (1.6) | 1.31 (33.3) | .22 dia. w/.41 dia. C'bore x .14 deep | 3/8-16 | Thermoplastic / Zinc plated Brass | Black |
| JB3816-2 | 2 | 2.12 (54.0) | 1.0 (25.4) | .62 (15.9) | .94 (23.8) | .69 (17.5) | .31 (7.9) | None | .06 (1.6) | None | 1.37 (34.9) | .22 dia. w/.37 dia. C'bore x .14 deep | 3/8-16 | Thermoplastic / Zinc plated Brass | Black |
| JB3816-3 | 2 | 2.12 (54.0) | 1.0 (25.4) | .62 (15.9) | .94 (23.8) | .69 (17.5) | .31 (7.9) | None | .06 (1.6) | None | 1.37 (34.9) | .22 dia. w/.37 dia. C'bore x .14 deep | 3/8-16 | Thermoplastic / Zinc plated Brass | Red |

*Feed-thru Options - Nuts & washers; consult factory.