

PLEASE CHECK WWW.MOLEX.COM FOR LATEST PART INFORMATION

Part Number: [0643211018](#)
Status: **Active**
Overview: [cmc connectors](#)
Description: .635mm (.025"), 1.50mm (.059"), 2.80mm (.110"), CMC Receptacle, 53 Circuits, Left Wire Output, Gray Coding, Mat Sealed

Documents:

3D Model	Product Specification PS-64321-001 (PDF)
Application Specification (PDF)	RoHS Certificate of Compliance (PDF)
Drawing (PDF)	

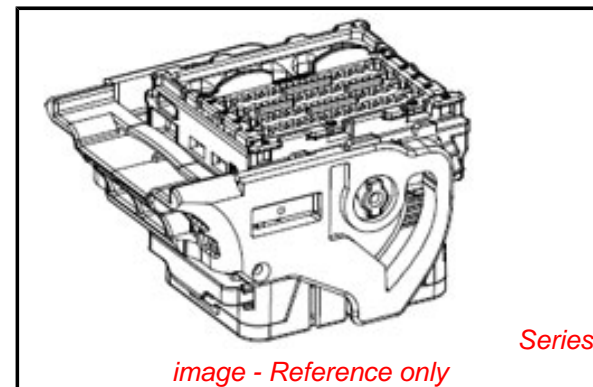


image - Reference only

General

Product Family	Crimp Housings
Series	64321
Comments	* Current tested on a fully loaded connector, current for temperature increase of 40°C. Current max = 21.0A for 2.8mm Terminal (5.0mm ² wire), 12.0A for 1.5mm Terminal (2.0mm ² wire), 2.5A for 0.635mm Terminal (0.75mm ² wire) *
More Detailed Tech Information	Sealed, high-density, power, modular connecting system for Power Train and Body Electronics applications in cars, trucks, busses
Overview	cmc connectors
Product Name	CMC

Physical

Circuits (maximum)	53
Circuits Detail	5x 2.8mm, 8 x 1.5mm, 40 x 0.635mm terminals
Color - Resin	Gray
Gender	Female
Glow-Wire Compliant	No
Keying to Mating Part	Yes
Lock to Mating Part	Yes
Material - Resin	Polyester
Number of Rows	5
Packaging Type	Carton
Panel Mount	No
Pitch - Mating Interface (in)	0.100 In, 0.138 In, 0.276 In
Pitch - Mating Interface (mm)	2.54 mm, 3.50 mm, 7.00 mm
Polarized to Mating Part	Yes
Stackable	No
Temperature Range - Operating	-40°C to +125°C

Electrical

Current - Maximum per Contact	12A, 2.5A, 21A
-------------------------------	----------------

Material Info

Reference - Drawing Numbers

Application Specification	AS-64321-001
Product Specification	PS-64321-001
Sales Drawing	SD-64321-001

EU RoHS

ELV and RoHS Compliant
REACH SVHC
 Not Reviewed
Halogen-Free Status

China RoHS



Not Reviewed

Need more information on product environmental compliance?

Email productcompliance@molex.com
 For a multiple part number RoHS Certificate of Compliance, [click here](#)

Please visit the [Contact Us](#) section for any non-product compliance questions.

Search Parts in this Series

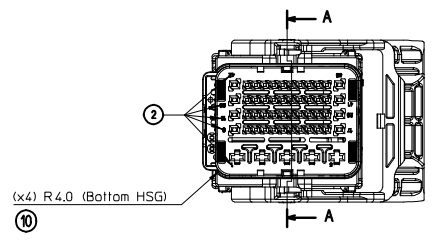
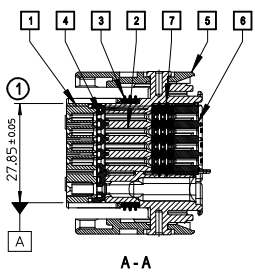
[64321Series](#)

Mates With

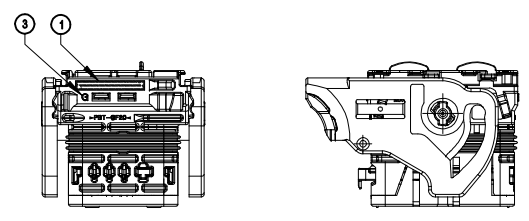
53 Circuit CMC Header [98997-1002](#) - Please Contact Molex for details

Use With

Female Terminals [64322](#) CP 0.635 (.025"), [64323](#) CP 1.5 (.059"). Circuit Way Plugs [643251010](#) , [643251023](#) , [643251091](#). CMC Wire Cap [643211101](#). Header [989971002](#) (contact Molex on Header)

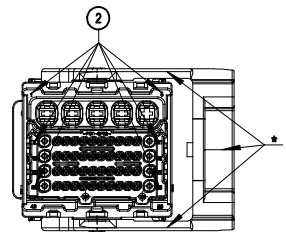
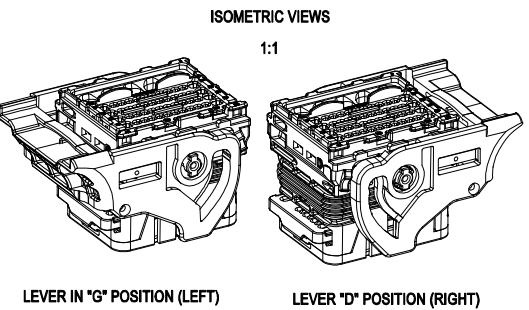
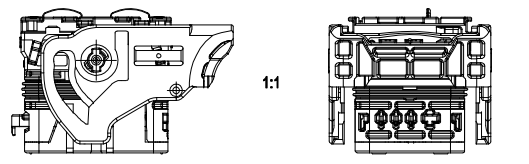
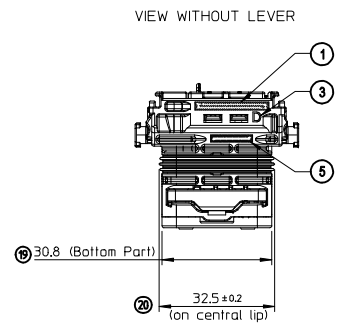
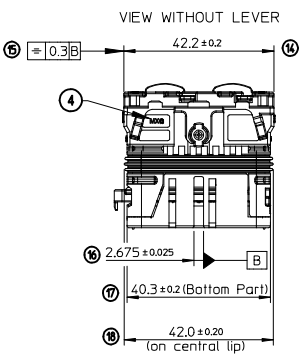
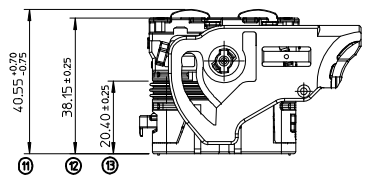
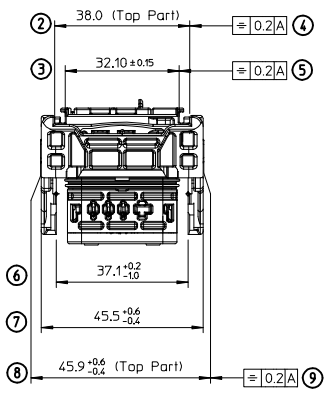
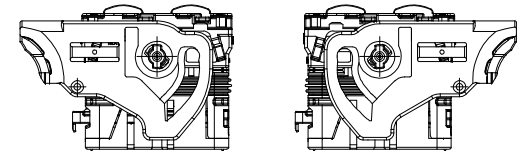


CMC 53W EQUIPED LEVER ON THE LEFT ("G" POSITION)



LEVER IN "G" POSITION (LEFT) (Position shown below)	
MOLEX PIN	COLOR
0643211011	BLACK
0643211018	GREY
0643211019	BROWN

LEVER IN "D" POSITION (RIGHT) (Position shown below)	
MOLEX PIN	COLOR
0643212011	BLACK
0643212018	GREY
0643212019	BROWN



MARKINGS:

- ① - Tracking N° for assembled connector. (Year & Day)
- ② - Cavities Identification (N°).
- ③ - Lever sens indicator.
Visible letter "D" = Housing with lever on the RIGHT. (Lever on the opposite side of the SL Key)
Visible letter "G" = Housing with lever on the LEFT. (Lever on the side of the SL Key)
- ④ - Supplier logo.
- ⑤ - Molex Area.

NOTES:

- 1- The represented female connector is the "D" version (Way out on the Right), Black coding.
 - 2- Application Spec.: AS-64321-001
 - 3- Plugs & caps used:
Cavities 0.6: plug: 0643251010
Cavities 1.5: plug: 0643251023
Cavities 2.8: cap: 0643251091
 - 4- Weight: 50.8 g
 - 5- The assembled female connector matches with the cover CMC 53W (P/N: 0643211101)
- * - Clamping areas on male connector.

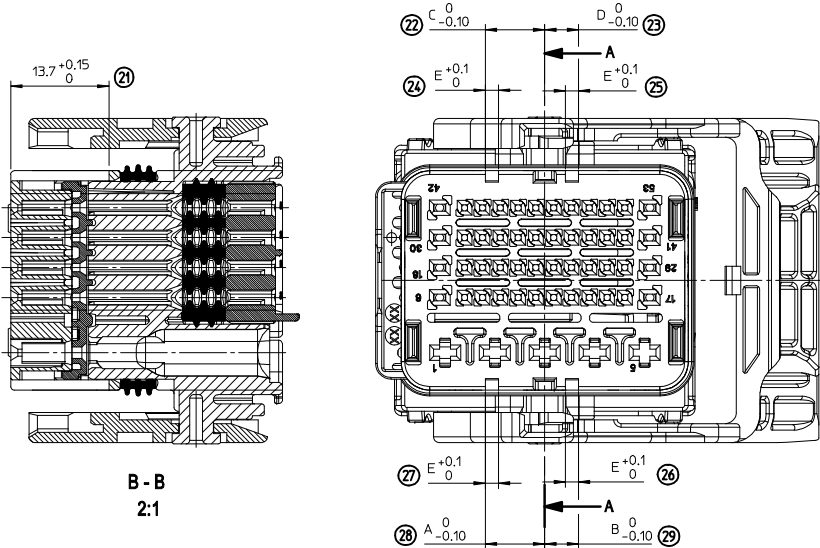
POS.	QTY	DESCRIPTION	MATERIAL	COLOR
7	1	BACK SEAL 'GROMMET'	Silicon	ORANGE
6	1	REAR SEAL COVER	>PBT-GF20<	GREY
5	1	LOCKING LEVER R&L S4	>PBT-GF30<	BLACK
4	1	TPA	>PBT-GF20<	YELLOW
3	1	PERIMETER SEAL SIZE 4	Silicon	ORANGE
2	1	HOUSING TOP PART	>PBT-GF20<	BROWN
1	1	HOUSING BOTTOM PART	>PBT-GF20<	BLACK BROWN GREY

ACCORDING FPIR EC NO: G2009-0092 DRAWN: G. DESBRUERES 2008/10/23 CHK'D: O. PLESSIS 2008/11/05 APPR: L. BOULEHAN 2008/11/05	DESCRIPTION [REDACTED]	GENERAL TOLERANCES (UNLESS SPECIFIED)		DIMENSION STYLE MM ONLY	SCALE 1:1	DESIGN UNITS METRIC	FIRST ANGLE PROJECTION		
		4 PLACES ± --- ± --- 3 PLACES ± --- ± --- 2 PLACES ± 0.05 ± --- 1 PLACE ± 0.1 ± ---	mm INCH	DRAWN BY G. DESBRUERES 2007/09/05	DATE 2007/09/05	TITLE CMC FEMALE MODULE 53W GENERIC SALES DRAWING			
		DRAFT WHERE APPLICABLE MUST REMAIN WITHIN DIMENSIONS		CHECKED BY O. PLESSIS 2007/09/06	DATE 2007/09/06	MOLEX INCORPORATED			
		ANGULAR ± 2 °		APPROVED BY L. STICKEIR 2007/09/07	DATE 2007/09/07	MATERIAL NO. SEE CHARTS		DOCUMENT NO. SD-64321-001	SHEET NO. 1 OF 2

THIS DRAWING CONTAINS INFORMATION THAT IS PROPRIETARY TO MOLEX INCORPORATED AND SHOULD NOT BE USED WITHOUT WRITTEN PERMISSION

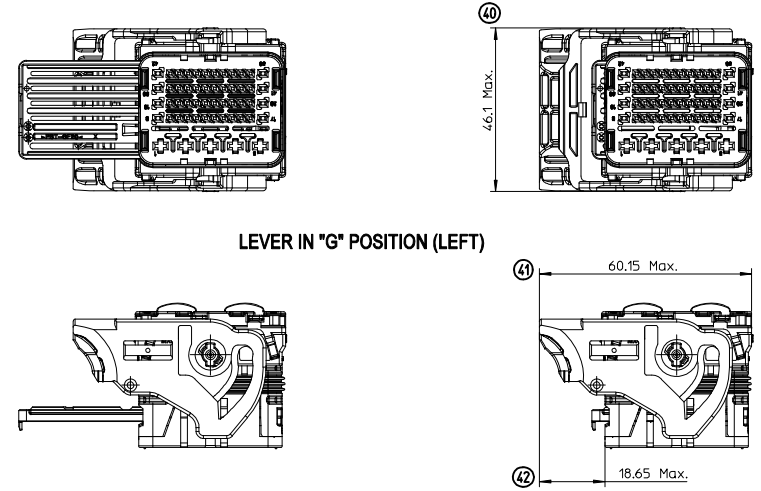
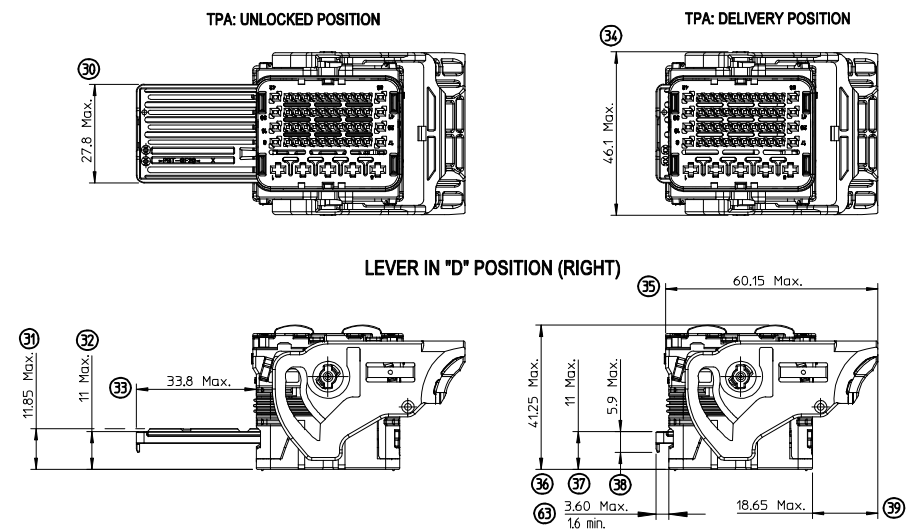
CODINGS

FEMALE HOUSING WITH THE LEVER ON "D" (RIGHT) POSITION.



COLOR	CODING	A ⁰ _{-0.1}	B ⁰ _{-0.1}	C ⁰ _{-0.1}	D ⁰ _{-0.1}	E ^{+0.1} ₀
BLACK	1	8.4	4.8	8.4	4.8	1.8
GREY	2	8.4	6.6	6.6	6.6	1.8
BROWN	3	8.4	8.4	4.8	10.2	1.8

MODULE OVERALL DIMENSIONS:



TERMINALS' P/N(S)							
CAVITIES N°	FEMALE TERMINALS (Section mm2)	PLATING	MOLEX PIN	WIRE SEAL	min / MAX WIRE INSULATION DIAMETER		
7 to 16 19 to 28 31 to 40 43 to 52	CP 0.6 (0.35mm2)	Tin plated	0643221019	/	∅1.25 min. / ∅1.40 Max.		
		Gold plated	0643221229				
	CP 0.6 (0.5mm2)	Tin plated	0643221039				
		Gold plated	0643221239				
6, 17, 18 29, 30, 41 42, 53	CP 0.6 (0.75mm2)	Tin plated	0643221029	/	∅1.60 min. / ∅1.90 Max.		
		Gold plated	0643221219				
	CP 1.5 (0.5mm2 to 1mm2)	Tin plated	0643231029				
		Gold plated	0643231319				
1 to 5	CP 1.5 (>1mm2 to 2mm2)	Tin plated	0643231039	/	∅2.10 min. / ∅2.80 Max.		
		Gold plated	0643231219				
	CP 2.8 (>0.5mm2 to 1mm2)	Tin plated	0643241049			0643251162	∅1.40 min. / ∅2.15 Max.
		Gold plated	0643241149				
CP 2.8 (>1mm2 to 2mm2)	Tin plated	0643241039	0643251175	∅2.10 min. / ∅2.80 Max.			
	Gold plated	0643241139					
CP 2.8 (>2mm2 to 3mm2)	Tin plated	0643241029			0643251188	∅2.65 min. / ∅3.45 Max.	
	Gold plated	0643241129					
CP 2.8 (>3mm2 to 5mm2)	Tin plated	0643241019	0643251196	∅3.40 min. / ∅4.00 Max.			
	Gold plated	0643241119					

ACCORDING FPIR EC NO: G2009-0092 DRAWN: DESBRUERES 2008/10/23 CHK'D: PLESSIS 2008/11/05 APPR: BOUJEHAN 2008/11/05 REV:	GENERAL TOLERANCES (UNLESS SPECIFIED) 4 PLACES ± --- ± --- 3 PLACES ± --- ± --- 2 PLACES ± 0.05 ± --- 1 PLACE ± 0.1 ± --- ANGULAR ± 2 °	DIMENSION STYLE MM ONLY	SCALE 1.5:1	DESIGN UNITS METRIC	FIRST ANGLE PROJECTION	
	DRAWN BY: G. DESBRUERES 2007/09/05 CHECKED BY: O. PLESSIS 2007/09/06 APPROVED BY: L. STICKEIR 2007/09/07	TITLE CMC FEMALE MODULE 53W GENERIC SALES DRAWING	MATERIAL NO. SEE SHEET 1 DOCUMENT NO. SD-64321-001			
	DRAFT WHERE APPLICABLE MUST REMAIN WITHIN DIMENSIONS	SIZE A2	THIS DRAWING CONTAINS INFORMATION THAT IS PROPRIETARY TO MOLEX INCORPORATED AND SHOULD NOT BE USED WITHOUT WRITTEN PERMISSION			
	SHEET NO. 2 OF 2		MOLEX INCORPORATED			
	SHEET NO. 2 OF 2					