

PLEASE CHECK WWW.MOLEX.COM FOR LATEST PART INFORMATION

Part Number: [0643211101](#)
Status: **Active**
Overview: [cmc connectors](#)
Description: CMC Wire Cap for 53 Circuits, CMC Receptacle Mat Sealed

Documents:

3D Model	Product Specification PS-64321-001 (PDF)
Application Specification (PDF)	RoHS Certificate of Compliance (PDF)
Drawing (PDF)	

General

Product Family	Crimp Housings
Series	64321
Comments	For left and right wire output
More Detailed Tech Information	Wire cap guides the wires from the connector either to the right or to the left
Overview	cmc connectors
Product Name	CMC

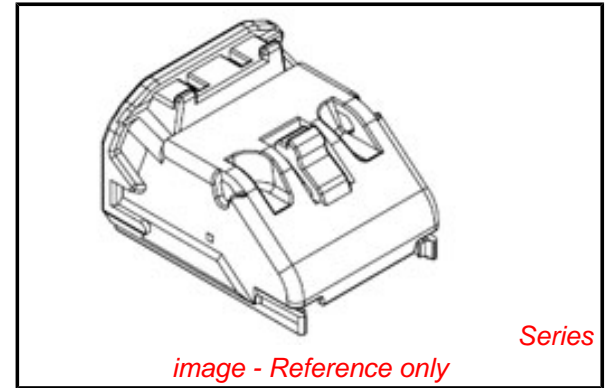
Physical

Circuits (maximum)	53
Circuits Detail	Wire Cap for 53 circuit Receptacle
Color - Resin	Black
Gender	N/A
Glow-Wire Compliant	No
Keying to Mating Part	N/A
Lock to Mating Part	Yes
Material - Resin	Polyester
Number of Rows	0
Packaging Type	Carton
Panel Mount	No
Pitch - Mating Interface (in)	0.000 In
Pitch - Mating Interface (mm)	0.00 mm
Polarized to Mating Part	N/A
Stackable	No
Temperature Range - Operating	-40°C to +125°C

Material Info

Reference - Drawing Numbers

Application Specification	AS-64321-001
Product Specification	PS-64321-001
Sales Drawing	SD-64321-002



EU RoHS

ELV and RoHS Compliant
REACH SVHC
Contains SVHC: No
Halogen-Free Status

China RoHS



Need more information on product environmental compliance?

Email productcompliance@molex.com
 For a multiple part number RoHS Certificate of Compliance, [click here](#)

Please visit the [Contact Us](#) section for any non-product compliance questions.

Search Parts in this Series

[64321Series](#)

Mates With

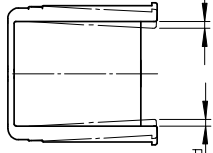
[64321 CMC Connector 53 Circuit](#)

Use With

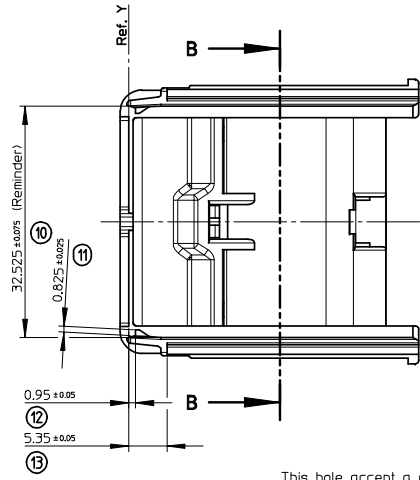
CMC Receptacle 53 Circuit [64321](#)

BOW ALLOWED

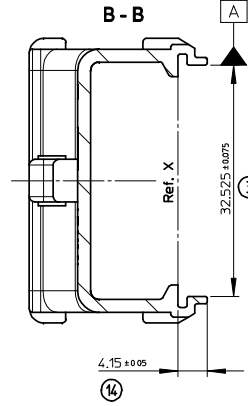
1:1



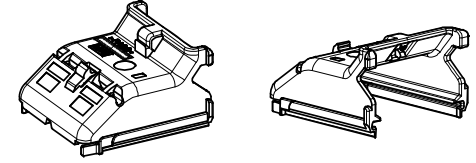
0.3 Max. allowed



B - B



ISOMETRIC VIEWS



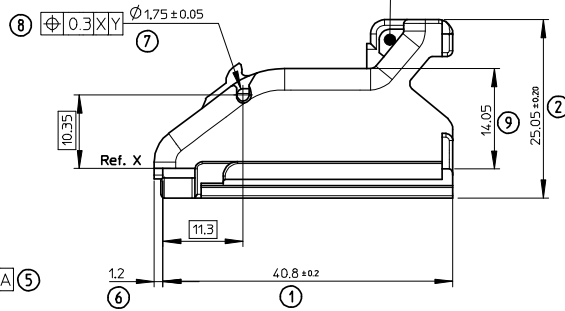
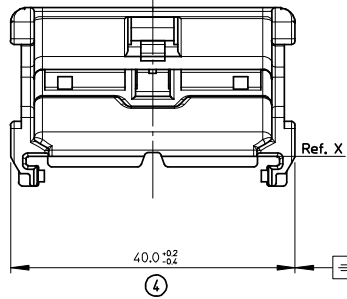
1:1

MARKINGS:

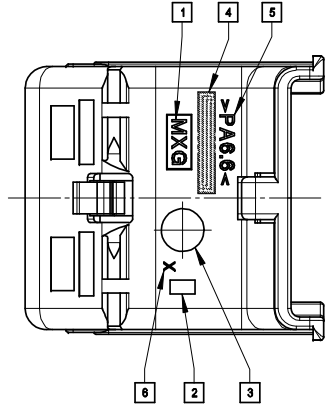
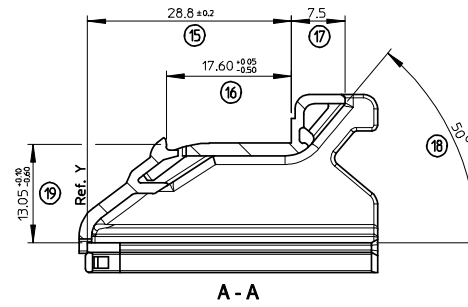
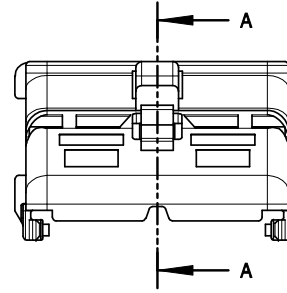
- 1 - Supplier Acronym: MXG
- 2 - Revision Level
- 3 - Datum Month/Year
- 4 - Molex Area.
- 5 - Material
- 6 - Preint Identification N°

NOTES:

- 1 -Material: >PA6.6< , Color: Black, Spec.: Heat Stabilized.
- 2 -Delivered Product Weight: 6.000 g
- 3 -Related Counterpart: Female Connector CMC 53 Ways.



This hole accept a cable-tie with a maximum section: 3.2 x 1.2mm



GENERIC DWG EC NO: GZ008-0442 DRAWN: GDESBRUERES 2008/05/13 CHKD: O.PLESSIS 2008/05/13 APPR: L.STICKEIR 2008/05/16	QUALITY SYMBOLS 	GENERAL TOLERANCES (UNLESS SPECIFIED)		DIMENSION STYLE MM ONLY	SCALE 2:1	DESIGN UNITS METRIC	FIRST ANGLE PROJECTION 	
		4 PLACES ± --- ± --- 3 PLACES ± --- ± --- 2 PLACES ± 0.1 ± --- 1 PLACE ± 0.1 ± --- ANGULAR ± 2 °	mm INCH ± --- ± --- ± --- ± --- ± 0.1 ± --- ± --- ± ---	DRAWN BY G. DESBRUERES 2008/04/22	DATE 2008/04/22	TITLE WIRE CAP CMC 53W	CHECKED BY O.PLESSIS 2008/04/22	DATE 2008/04/22
DRAFT WHERE APPLICABLE MUST REMAIN WITHIN DIMENSIONS	SIZE A2	MATERIAL NO. 0643211101	DOCUMENT NO. SD-64321-002	SHEET NO. 1 OF 1				