



Chokes for Data and Signal Lines

B82794-C0

Double Chokes

**SMD**

Rated voltage 42 Vac/80 Vdc  
Rated current 200 to 700 mA  
Rated inductance 4,7 to 68 mH



#### Construction

- Current-compensated ring core double choke with ferrite core
- Bifilar winding

#### Features

- Case flame-retardant as per UL 94 V-0
- Suitable for reflow soldering

#### Anwendungen

- Suppression of asymmetrical interference coupled in on lines, whereas data signals up to some MHz can pass unaffectedly
- Use e.g. in telecom applications and RF equipment

#### Terminals

- Tinned

#### Marking

Manufacturer, ordering code,  
date of manufacture (month, year)

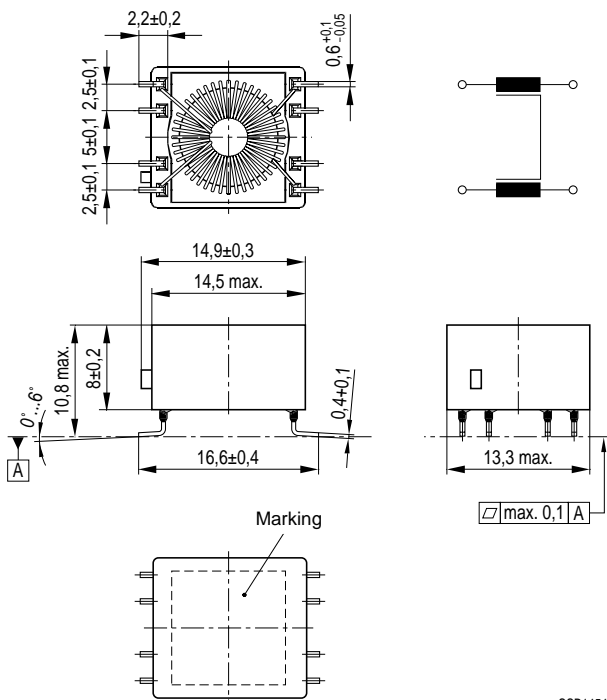
#### Delivery mode

Blister tape, reel packing

For details on taping, packing and packing units [see page 302](#)

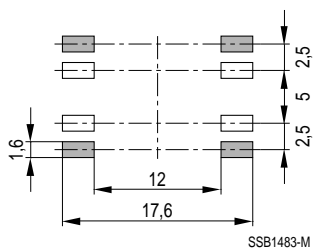


Dimensional drawing



SSB1454-9

Layout recommendation




**Chokes for Data and Signal Lines**
**B82794-C0**
**Double Chokes**

**General technical data**

|                                    |  |
|------------------------------------|--|
| Rated voltage $V_R$                | 42 Vac (50/60 Hz)<br>80 Vdc  |
| Rated current $I_R$                | Referred to 50 Hz and 60 °C ambient temperature  |
| Rated inductance $L_R$             | Measured with HP 4275A<br>at 10 kHz and 10 mV<br>(specified per winding)                           |
| Inductance tolerance               | - 30/+ 50 %  |
| Inductance decrease $\Delta L/L_0$ | < 10 % at dc magnetic bias with $I_R$  |
| Stray inductance $L_S$             | Measured at 10 kHz and 10 mV   |
| DC resistance $R_{typ}$            | Typical values, measured at 20 °C ambient temperature  |
| Solderability                      | (215 ± 3) °C, (3 ± 0,3) s<br>wetting of soldering area ≥ 95 %<br>in accordance with IEC 60068-2-58 |
| Climatic category                  | 40/125/56 (- 40 °C/+ 125 °C/56 days damp heat test)<br>in accordance with IEC 60068-1              |
| Weight                             | Approx. 2,5 g  |

**Characteristics and ordering codes**

| $L_R$<br>mH | $L_{S, typ}$<br>μH | $I_R$<br>mA | $R_{typ}$<br>Ω | $V_T$<br>Vdc, 2 s | Ordering code     |
|-------------|--------------------|-------------|----------------|-------------------|-------------------|
| 4,7         | 0,9                | 700         | 0,5            | 750               | B82794-C0475-N465 |
| 10          | 1,2                | 600         | 0,7            | 750               | B82794-C0106-N465 |
| 28          | 1,8                | 400         | 1,2            | 750               | B82794-C0286-N465 |
| 47          | 2,0                | 300         | 2,8            | 750               | B82794-C0476-N465 |
| 68          | 3,0                | 200         | 3,3            | 750               | B82794-C0686-N465 |



Double Chokes

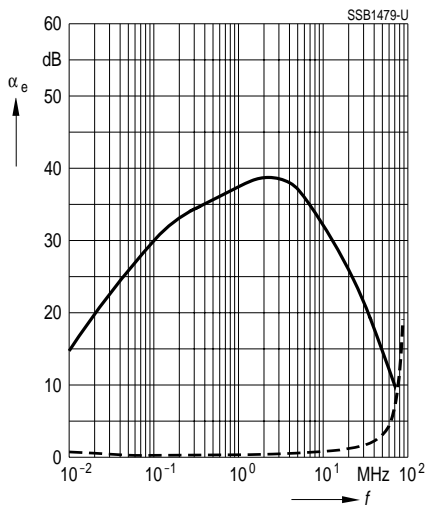


Insertion loss  $\alpha_e$  (typical values at  $Z = 50 \Omega$ )

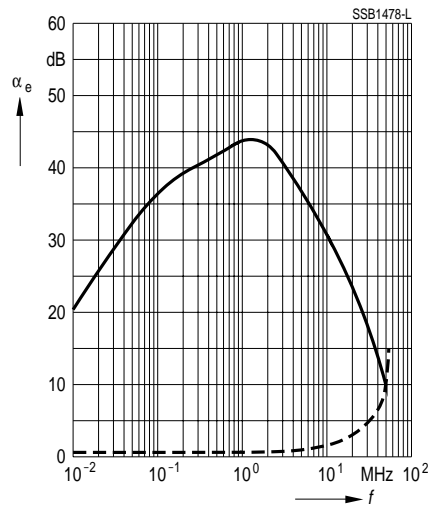
———— asymmetrical, all branches in parallel (common mode)

- - - - - symmetrical (differential mode)

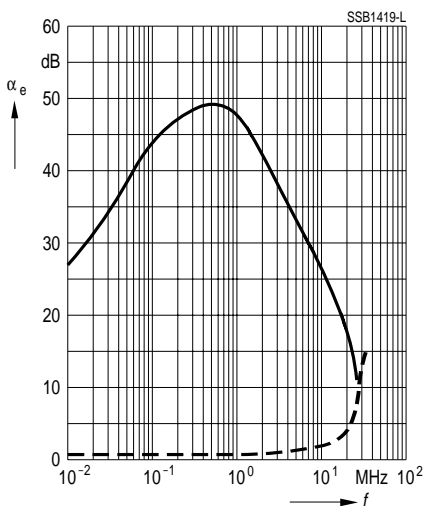
B82794-C0475-N465



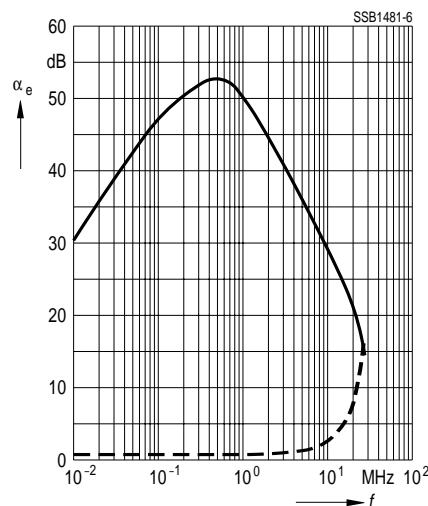
B82794-C0106-N465



B82794-C0286-N465



B82794-C0476-N465





Insertion loss  $\alpha_e$  (typical values at  $Z = 50 \Omega$ )

———— asymmetrical, all branches in parallel (common mode)

- - - - - symmetrical (differential mode)

B82794-C0686-N465

